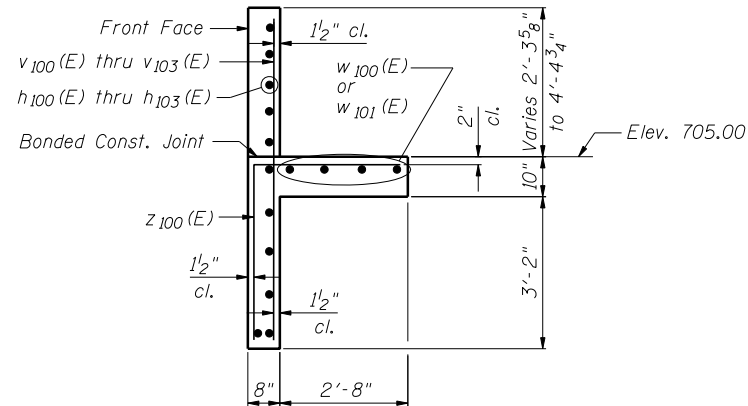


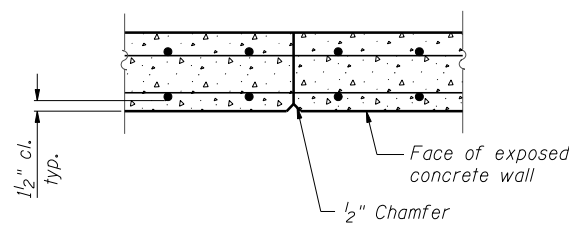
**TYPICAL SECTION**  
Sta. 812+47.39 to Sta. 813+40.32



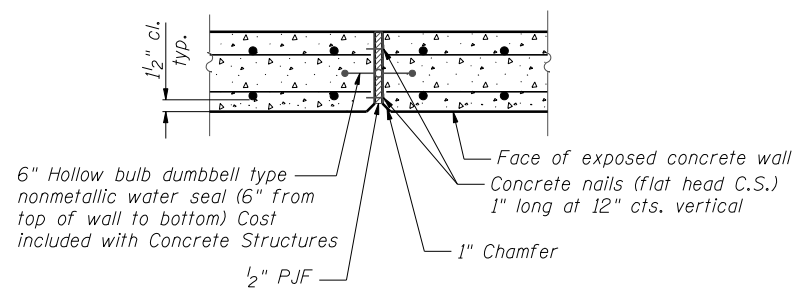
**SECTION A-A**  
Maximum Soil Bearing Pressure = 1,800 psf

**BILL OF MATERIAL**

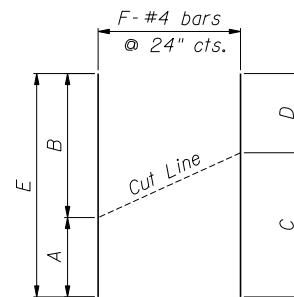
Bar	No.	Size	Length	Shape
h <sub>100</sub> (E)	11	#4	23'-10"	—
h <sub>101</sub> (E)	11	#4	23'-6"	—
h <sub>102</sub> (E)	22	#4	26'-9"	—
v <sub>100</sub> (E)	11	#4	14'-3"	—
v <sub>101</sub> (E)	12	#4	15'-5"	—
v <sub>102</sub> (E)	12	#4	14'-0"	—
v <sub>103</sub> (E)	12	#4	12'-7"	—
w <sub>100</sub> (E)	4	#4	24'-6"	—
w <sub>101</sub> (E)	12	#4	26'-2"	—
z <sub>100</sub> (E)	94	#4	6'-9"	└
Item		Unit	Quantity	
Concrete Structures		Cu. Yd.	24.4	
Reinforcement Bars, Epoxy Coated		Pound	1,880	
Granular Backfill for Structures		Cu. Yd.	31	



**CONSTRUCTION JOINT DETAIL**

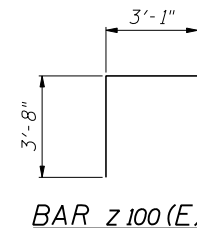


**EXPANSION JOINT DETAIL**



**CUTTING DIAGRAM**

Bar	A	B	C	D	E	F
v <sub>100</sub> (E)	6'-2"	8'-1"	7'-1"	7'-2"	14'-3"	11
v <sub>101</sub> (E)	8'-1"	7'-4"	7'-9"	7'-8"	15'-5"	12
v <sub>102</sub> (E)	7'-4"	6'-8"	7'-0"	7'-0"	14'-0"	12
v <sub>103</sub> (E)	6'-8"	5'-11"	6'-4"	6'-3"	12'-7"	12



**BAR z100(E)**

**WALL SECTION AND DETAILS**  
SN 022-W063

FILE NAME = ...E0131-W063-003-Details.dgn



USER NAME = SAW	DESIGNED - LAS	REVISED -
	CHECKED - DAZ	REVISED -
PLOT SCALE = 4.00' / IN.	DRAWN - SAW	REVISED -
PLOT DATE = 10/9/2012	CHECKED - JLA	REVISED -

**STATE OF ILLINOIS**  
**DEPARTMENT OF TRANSPORTATION**

**WALL SECTION AND DETAILS**  
**STRUCTURE NUMBER 022-W063**

SHEET NO. SB-3 OF SB-4 SHEETS

F.A.P. RTE.	SECTION	COUNTY	TOTAL SHEETS	SHEET NO.
338/IL 59	(112 & 113) WRS-5	DUPAGE	963	650
			CONTRACT NO. 60131	
ILLINOIS FED. AID PROJECT				