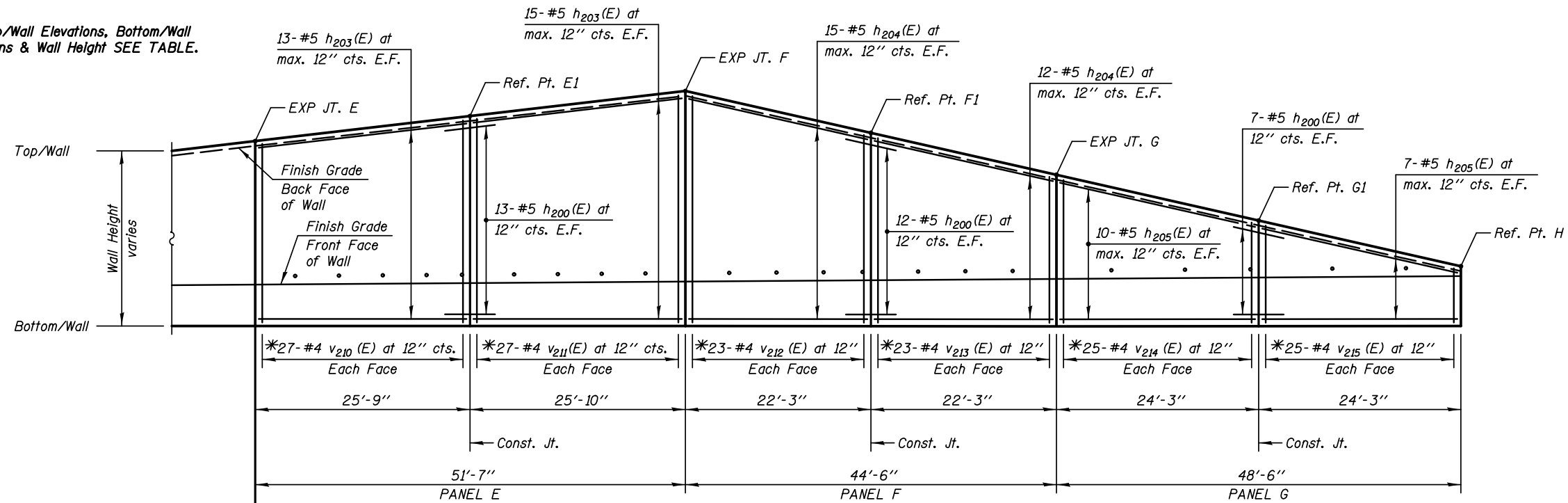


Note:
For Top/Wall Elevations, Bottom/Wall Elevations & Wall Height SEE TABLE.



PILE DATA:

Pile No.	Top Elev.	Bottom Elev.	Length Ft.	No of Studs
PE-1	708.96	675.96	33.00	16
PE-2	709.26	675.26	34.00	16
PE-3	709.57	675.57	34.00	16
PE-4	709.87	674.87	35.00	16
PE-5	710.18	674.18	36.00	16
PE-6	710.48	674.48	36.00	18
PE-7	710.79	673.79	37.00	18
PE-8	711.09	673.09	38.00	18
PE-9	711.40	673.40	38.00	18
PE-10	711.70	672.70	39.00	18
PF-1	711.56	672.56	39.00	18
PF-2	710.92	673.92	37.00	18
PF-3	710.28	674.28	36.00	16
PF-4	709.64	675.64	34.00	16
PF-5	709.00	676.00	33.00	16
PF-6	708.36	677.36	31.00	14
PF-7	707.72	678.72	29.00	14
PF-8	707.08	679.08	28.00	12
PG-1	706.57	679.57	27.00	12
PG-2	705.57	681.57	24.00	10
PG-3	704.57	682.57	22.00	10
PG-4	703.57	683.57	20.00	8
PG-5	702.57	683.57	19.00	6
PG-6	701.57	683.57	18.00	6

SHAFT SIZES

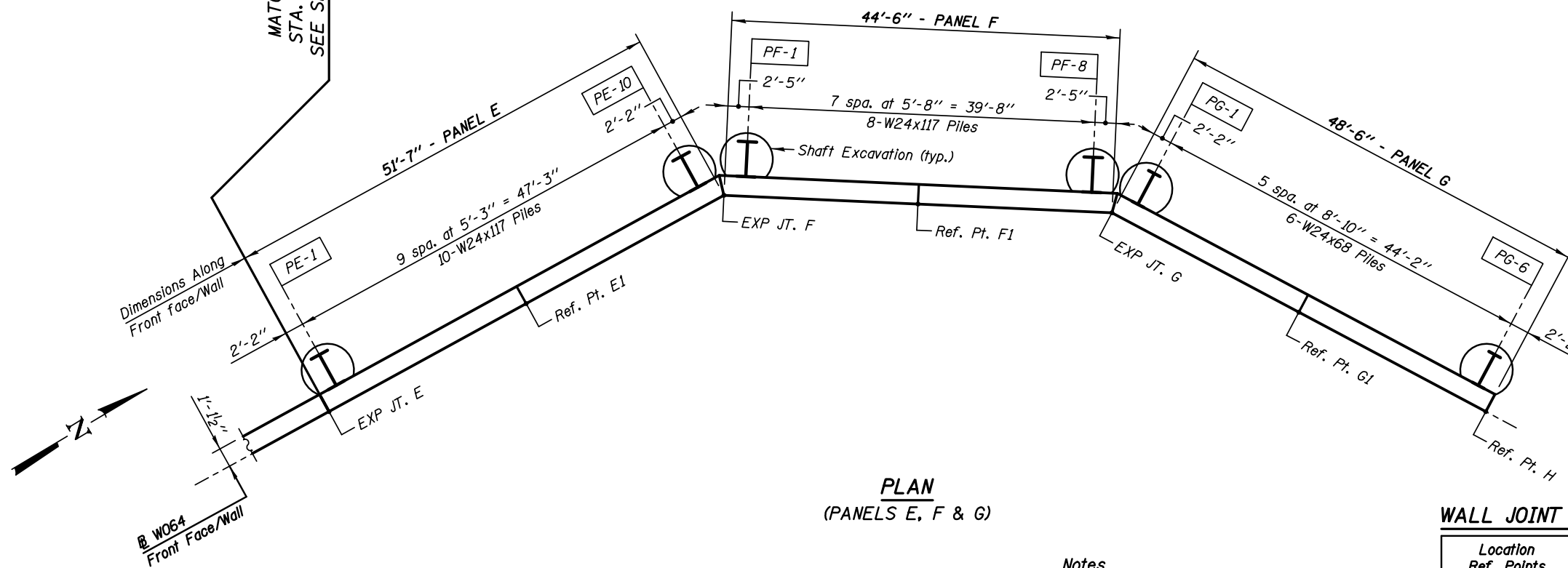
Pile Size	Shaft Excavation Size
HP14	2'-6"
W24	3'-0"

LEGEND

E.F. Each Face

Min Bar Laps

#5 Bars = 2'-5" (Horiz. Top Bars)



Notes

All Dimensions are along Front Face of Wall.

For Typical Sections & Bill of Material, SEE Sheet SC-06

*See Bar Cutting Diagram Sheet SC-06

**Bottom of Form Liner Elevations are 1'-0" (1.0') higher than Finish Grade Elevations.

WALL JOINT LOCATIONS, HEIGHTS & ELEVATIONS

Location Ref. Points	Station on W064	Wall Height	Top/Wall Elevation	Bottom/Wall Elevation	Finish Grade Elev.	Bottom/Liner Elev. **
Exp. Jt. - E	2+88.92	11'-1"	710.50	699.42	701.90	702.90
C.J. - E1	3+14.67	12'-7"	712.00	699.42	701.99	702.99
Exp. Jt. - F	3+40.50	14'-1"	713.50	699.42	702.08	703.08
C.J. - F1	3+62.75	11'-7"	710.99	699.41	702.16	703.16
Exp. Jt. - G	3+85.00	9'-1"	708.48	699.40	702.24	703.24
C.J. - G1	4+09.25	6'-4"	705.74	699.41	702.32	703.32
End Wall - H	4+33.50	3'-7"	703.00	699.42	702.40	703.40

KNIGHT
Engineers & Architects

DESIGNED - TB	REVISIONS
CHECKED - WPM	REVISIONS
SCALE - NONE	REVISIONS
DATE - 10/15/2012	REVISIONS

STATE OF ILLINOIS
DEPARTMENT OF TRANSPORTATION

PLAN & ELEVATION - PANELS E, F & G
STRUCTURE NUMBER 022-W064

SHEET NO. SC-05 OF 10 SHEETS

F.A.P. RTE.	SECTION	COUNTY	TOTAL SHEETS	SHEET NO.
338	(112 & 113) WRS-5	DUPAGE	963	656
CONTRACT NO. 60131				
ILLINOIS FED. AID PROJECT				