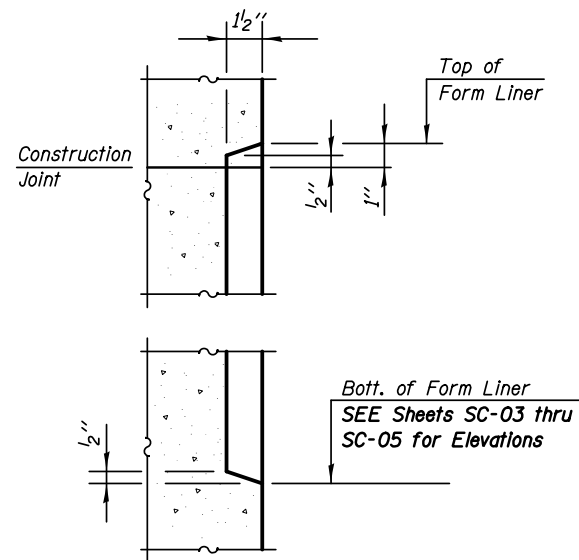
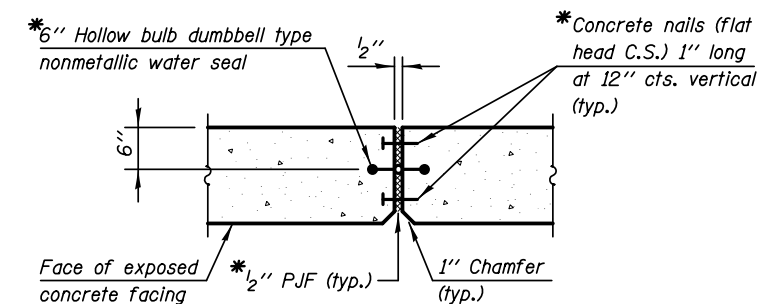


**INSIDE ELEVATION - FORM LINER**

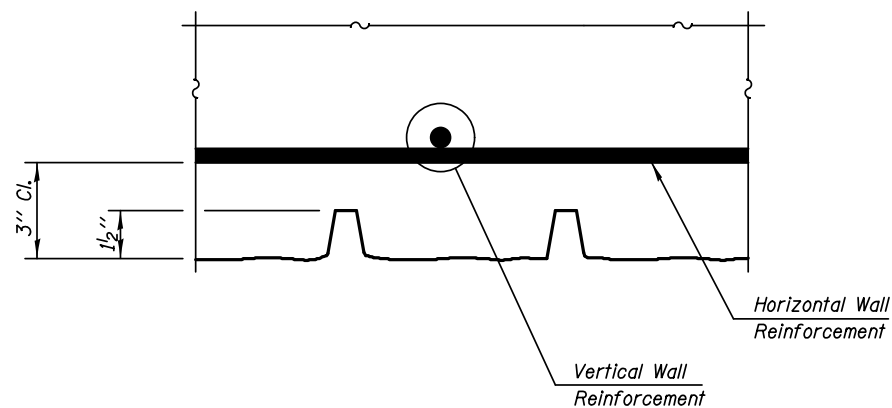


**SECTION A-A**

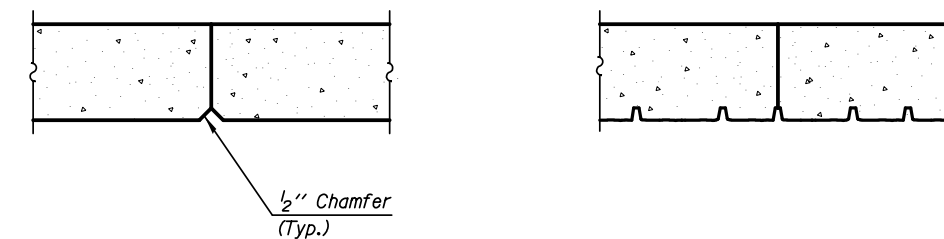


**WALL EXPANSION JOINT DETAIL**

\* Cost included with "Concrete Structures".



**PLAN - FORM LINER**

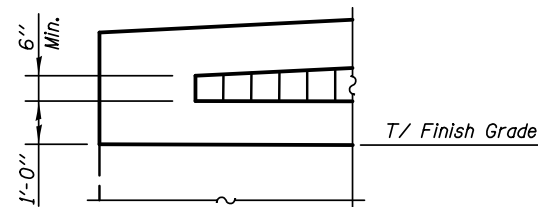


**WALL CONSTRUCTION JOINT DETAIL**

NOTE:  
SEE Sheets SC-03 thru SC-05  
for Bottom of Form Liner Elevations

WALL #	
STATION	ELEVATION
00+00.00	El. 00.00

WALL #	
STATION	ELEVATION
00+00.00	El. 00.00



**END FORM LINER DETAIL**

**KNIGHT**  
Engineers & Architects

SCALE - NONE  
DATE - 10/15/2012

DESIGNED - TB  
CHECKED - WPM  
DRAWN - TB  
CHECKED - WPM

REVISED  
REVISED  
REVISED  
REVISED

STATE OF ILLINOIS  
DEPARTMENT OF TRANSPORTATION

ARCHITECTURAL FINISH AND JOINT DETAILS  
STRUCTURE NUMBER 022-W064

SHEET NO. SC-07 OF 10 SHEETS

F.A.P. RTE.	SECTION	COUNTY	TOTAL SHEETS	SHEET NO.
338	(112 & 113) WRS-5	DUPAGE	963	658
CONTRACT NO. 60131				

ILLINOIS FED. AID PROJECT