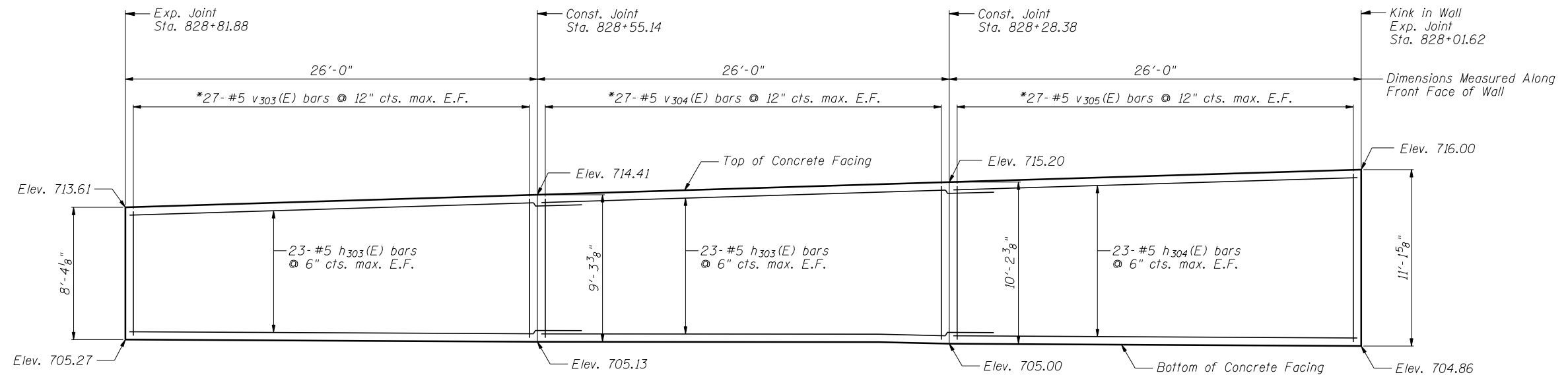


ELEVATION



ELEVATION

Notes:

Minimum lap for #5 bar is 3'-8".

Space reinforcement in wall to miss shear studs.

* signifies cut bar. Order per length on Bill of Material. Cut as shown in Cutting Diagram and use half of bars in each face.

See Sheet SD-8 for Concrete Facing Details and Bill of Material.

**CONCRETE FACING 1
SN 022-W065**



USER NAME = SAW	DESIGNED - LAS	REVISED -
	CHECKED - DAZ	REVISED -
PLOT SCALE = 8.0000' / IN.	DRAWN - SAW	REVISED -
PLOT DATE = 10/9/2012	CHECKED - JLA	REVISED -

**STATE OF ILLINOIS
DEPARTMENT OF TRANSPORTATION**

**CONCRETE FACING 1
STRUCTURE NUMBER 022-W065**

SHEET NO. SD-6 OF SD-11 SHEETS

F.A.P. RTE.	SECTION	COUNTY	TOTAL SHEETS	SHEET NO.
338/1L 59	(112 & 113) WRS-5	DUPAGE	963	667
			CONTRACT NO. 60131	

ILLINOIS FED. AID PROJECT

FILE NAME = ...E0131-W065-006-ConcFacing.dgn