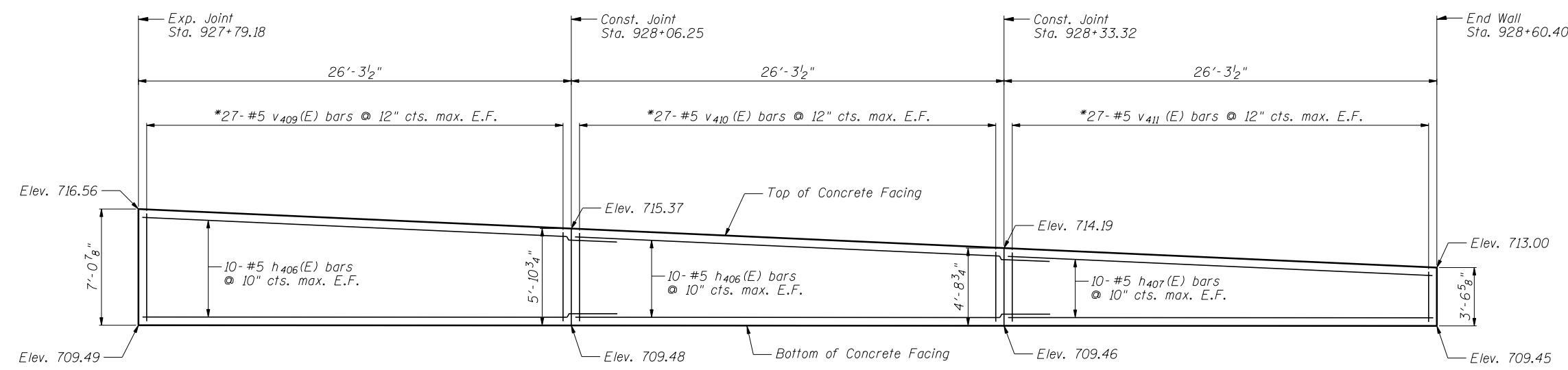


ELEVATION



ELEVATION

Notes:
 Minimum lap for #5 bar is 3'-8".
 Space reinforcement in wall to miss shear studs.
 * signifies cut bar. Order per length on Bill of Material. Cut as shown in Cutting Diagram and use half of bars in each face.
 See Sheet SE-8 for Concrete Facing Details and Bill of Material.

CONCRETE FACING 2
 SN 022-W066

FILE NAME = ...E0131-W066-007-ConFacing2.dgn



USER NAME = SAW	DESIGNED - LAS	REVISED -
	CHECKED - DAZ	REVISED -
PLOT SCALE = 8.0000' / IN.	DRAWN - SAW	REVISED -
PLOT DATE = 10/9/2012	CHECKED - JLA	REVISED -

STATE OF ILLINOIS
 DEPARTMENT OF TRANSPORTATION

CONCRETE FACING 2
 STRUCTURE NUMBER 022-W066
 SHEET NO. SE-7 OF SE-11 SHEETS

F.A.P. RTE.	SECTION	COUNTY	TOTAL SHEETS	SHEET NO.
338/IL 59	(112 & 113) WRS-5	DUPAGE	963	679
CONTRACT NO. 60131				
ILLINOIS FED. AID PROJECT				