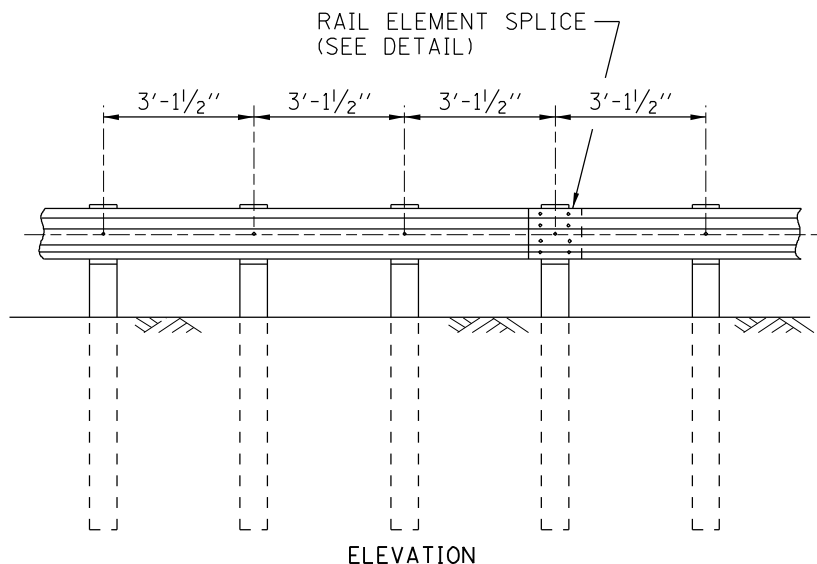


ELEVATION

TYPE A

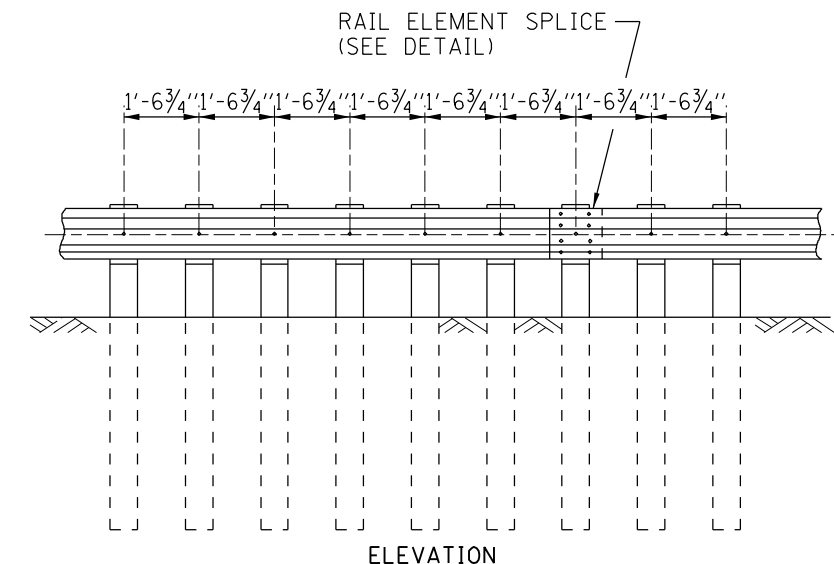
6'-3" TYPICAL POST SPACING



ELEVATION

TYPE B

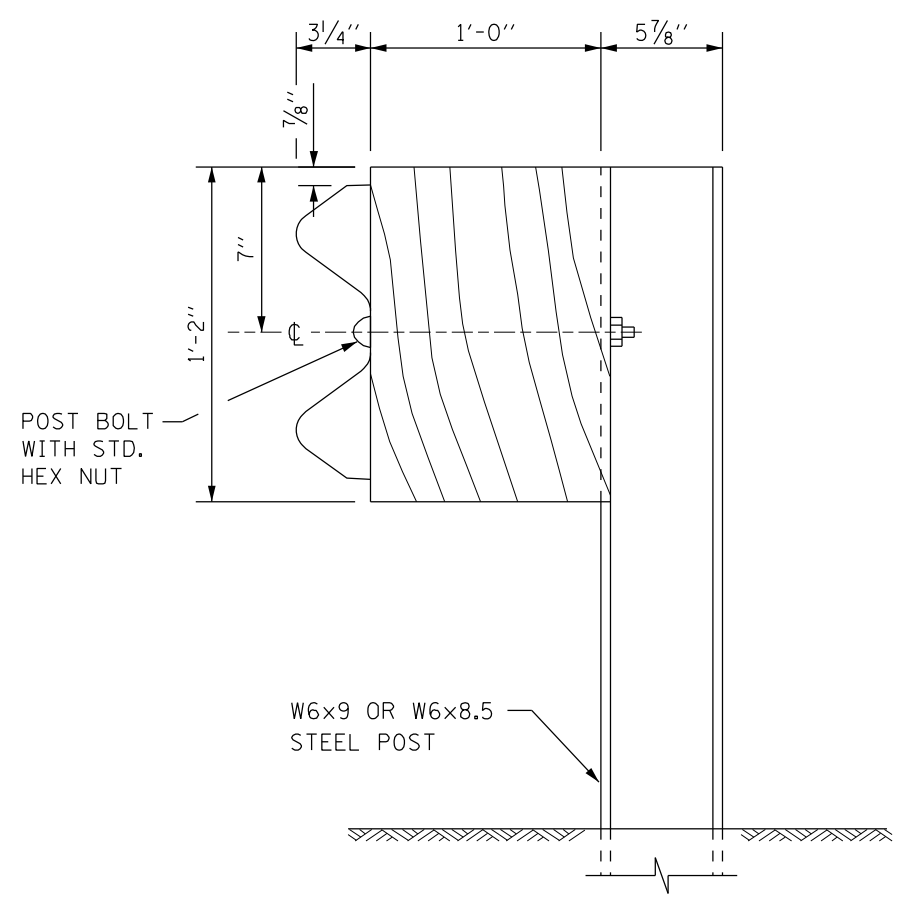
3'-1/2" 1/2 POST SPACING



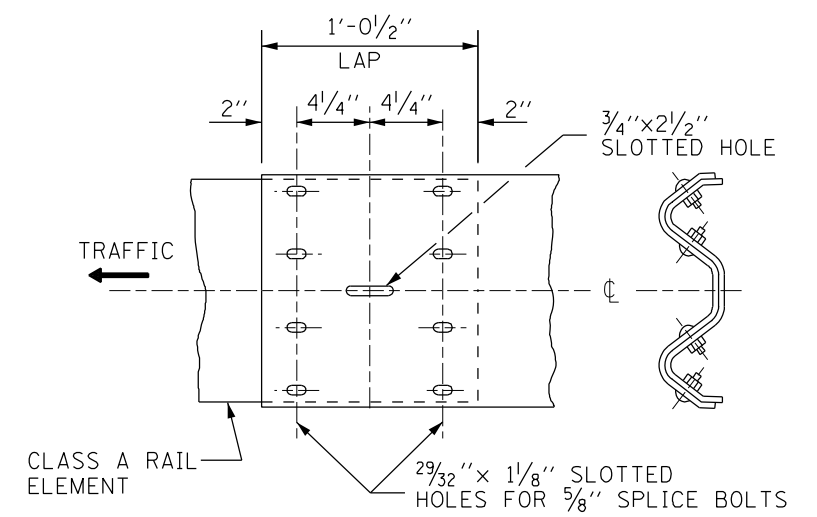
ELEVATION

TYPE C

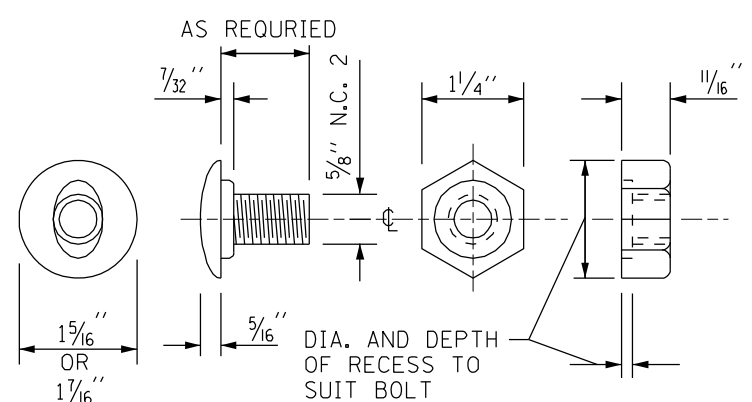
1'-6 3/4" 1/4 POST SPACING



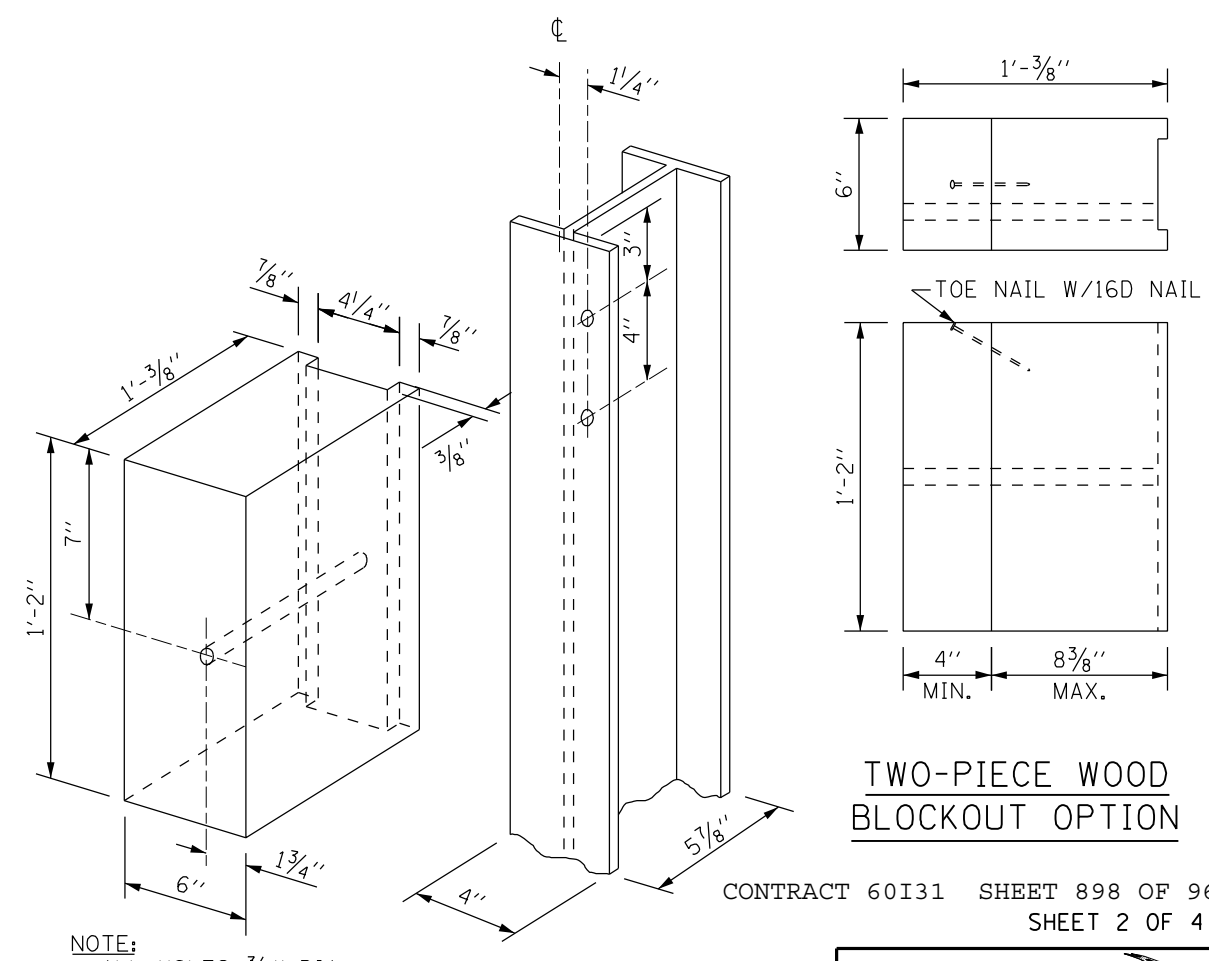
STEEL POST CONSTRUCTION



RAIL ELEMENT SPLICE



POST OR SPLICE BOLT & NUT



WOOD BLOCK-OUT AND STEEL POST DETAILS

CONTRACT 60131 SHEET 898 OF 963
SHEET 2 OF 4

Illinois Tollway
Open Roads for a Faster Future

GALVANIZED STEEL PLATE
BEAM GUARDRAIL

STANDARD C1-05

Paul Kovacs
APPROVED CHIEF ENGINEER DATE 7-1-2009