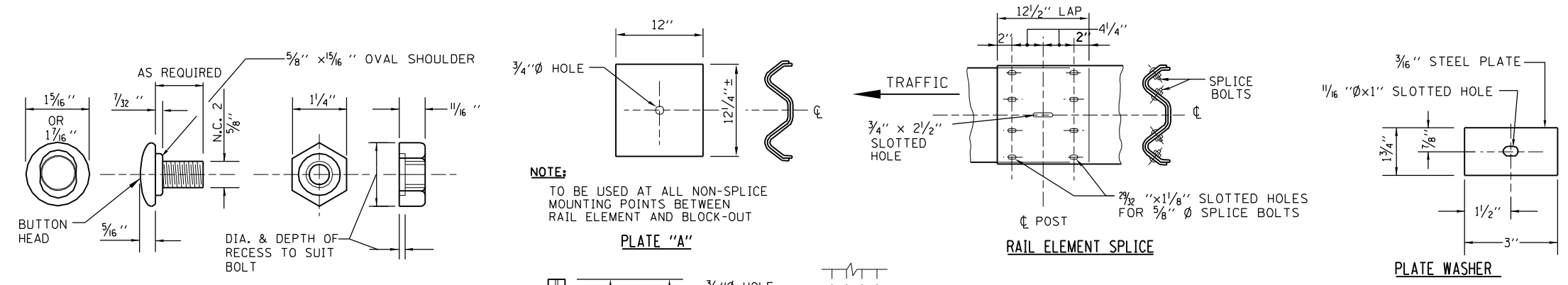
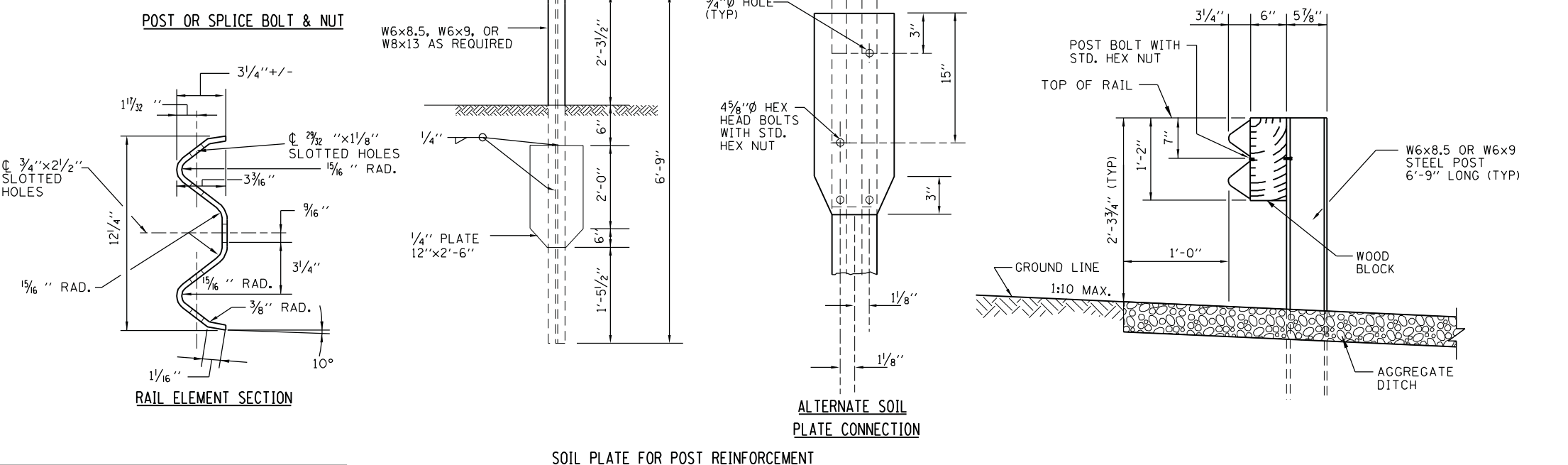


MEDIAN PIER PROTECTION-TERMINAL SECTION



- NOTES:**
1. ALL HOLES IN POSTS AND BLOCK-OUTS SHALL BE 3/4" Ø UNLESS OTHERWISE NOTED.
 2. IN THE EVENT OF AN OBSTRUCTION PREVENTING POST INSTALLATION, UP TO TWO (2) CONSECUTIVE POSTS MAY BE OMITTED IF 2-PLY GUARDRAIL PANELS ARE USED FROM THIS LENGTH.
 3. RAIL ELEMENT SHALL BE FURNISHED IN NOMINAL LENGTHS OF 12'-6", AN ALTERNATE 25'-0" NOMINAL LENGTH MAY BE FURNISHED AT THE OPTION OF THE CONTRACTOR.
 4. ALL RAIL ELEMENTS AND ACCESSORIES SHALL CONFORM TO STANDARD SPECIFICATIONS UNLESS OTHERWISE NOTED.
 5. THE CONTRACTOR SHALL LOAD TEST 10 PERCENT OF ALL EXPANSION ANCHOR BOLTS IN INSTALLATION IN THE PRESENCE OF THE ENGINEER. THE EQUIPMENT AND METHOD USED SHALL MEET THE APPROVAL OF THE ENGINEER. THE MINIMUM TEST LOAD SHALL BE 8,000 POUNDS FOR 5/8" Ø BOLTS AND 3,000 POUNDS FOR 3/8" Ø BOLTS IN DIRECT OF PULL FOR EACH ANCHOR THAT FAILS THE TEST REQUIREMENTS, TWO MORE ANCHOR BOLTS, PICKED BY THE ENGINEER SHALL BE TESTED. EACH ANCHOR BOLT THAT FAILS TO MEET THE TEST REQUIREMENTS SHALL BE RESET OR REMOVED AND THE HOLE DRILLED DEEPER. ALL RESET ANCHOR BOLTS SHALL MEET THE MINIMUM TEST REQUIREMENTS.
 6. THE MAXIMUM POST SPACING SHALL BE 6'-3".



MEDIAN PIER PROTECTION-SINGLE RAIL SECTION

CONTRACT 60I31 SHEET 903 OF 963
SHEET 3 OF 3



MEDIAN PIER PROTECTION

STANDARD C2-02

APPROVED..... DATE 7-1-2009.
Paul Kovacs
CHIEF ENGINEER