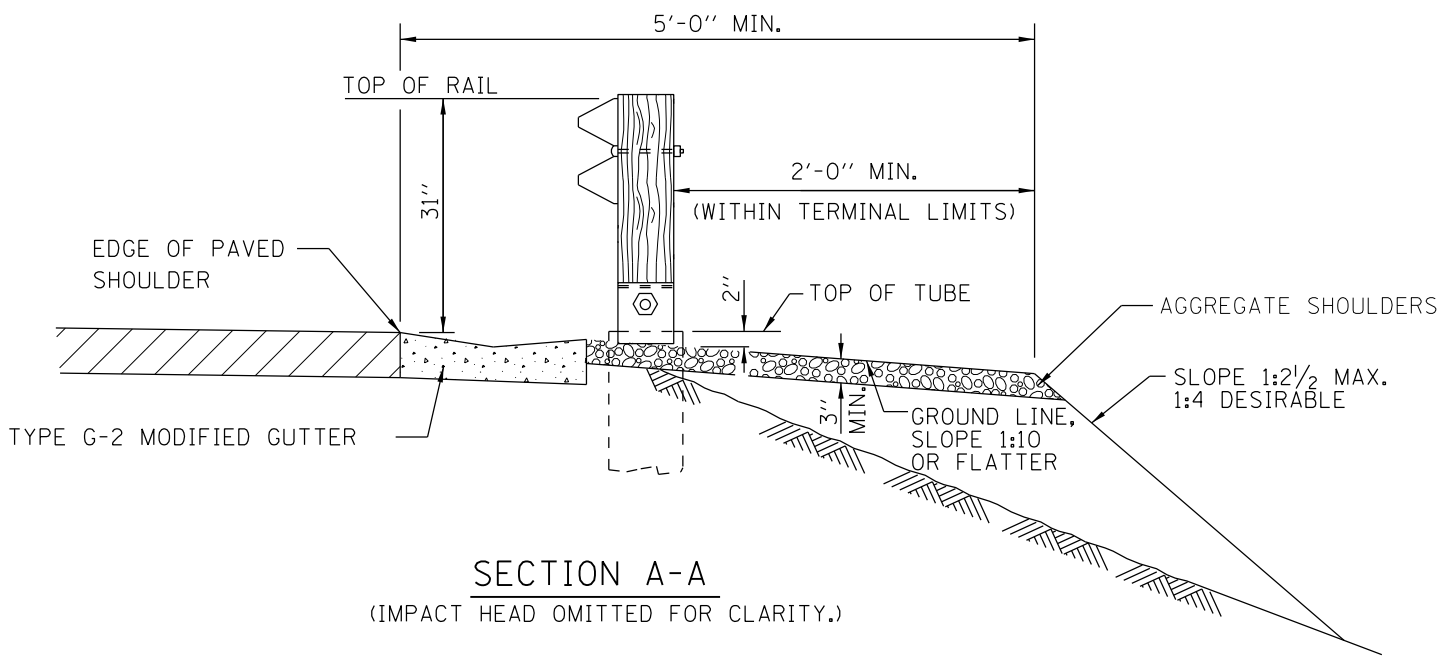


**SHOULDER WIDENING TRANSITION-WITH GUTTER, TYPE G-2
FOR TRAFFIC BARRIER TERMINAL TYPE T1 (SPECIAL)**



NOTE:
SEE SHEET 1 OF THIS SERIES FOR NOTES.
CONTRACT 60I31 SHEET 909 OF 963
SHEET 3 OF 3

Paul Kovacs
APPROVED CHIEF ENGINEER DATE 7-1-2009

Illinois Tollway
Open Roads for a Faster Future

SHOULDER WIDENING FOR
TRAFFIC BARRIER TERMINAL
TYPE T1 (SPECIAL)

STANDARD C6-03