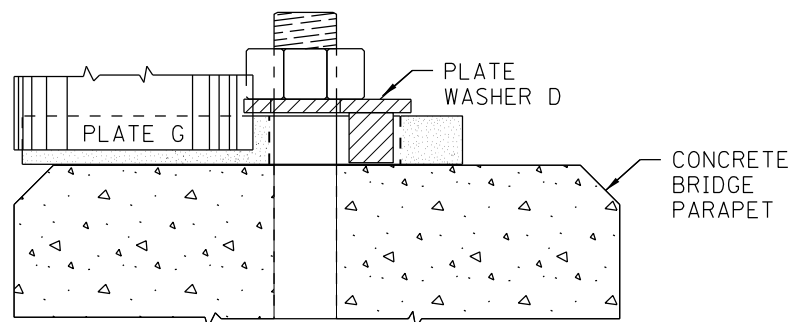


PLATE WASHER D



PLACEMENT OF PLATE WASHER D  
(PLAN)

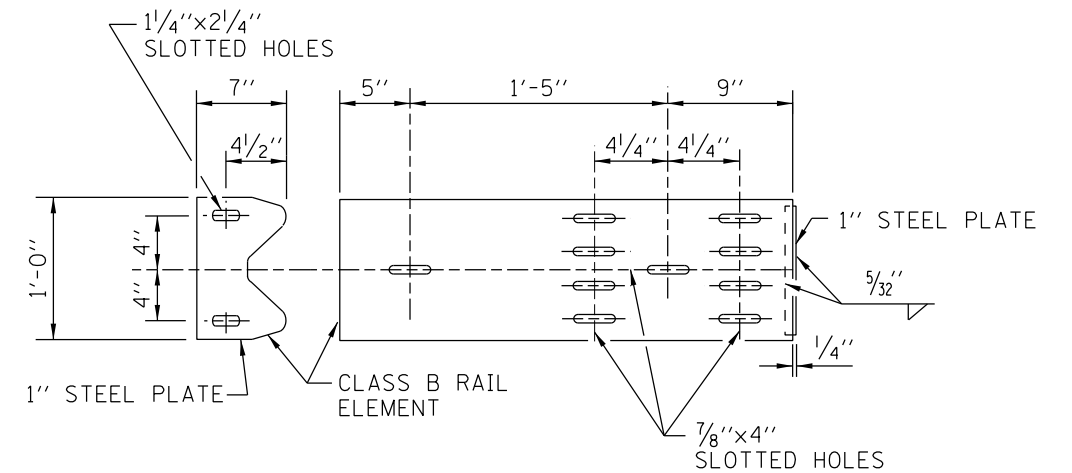


PLATE G

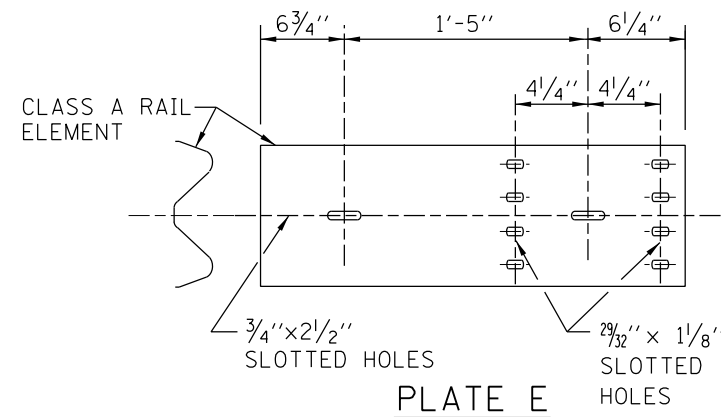


PLATE E

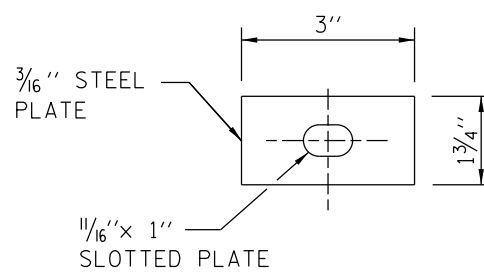
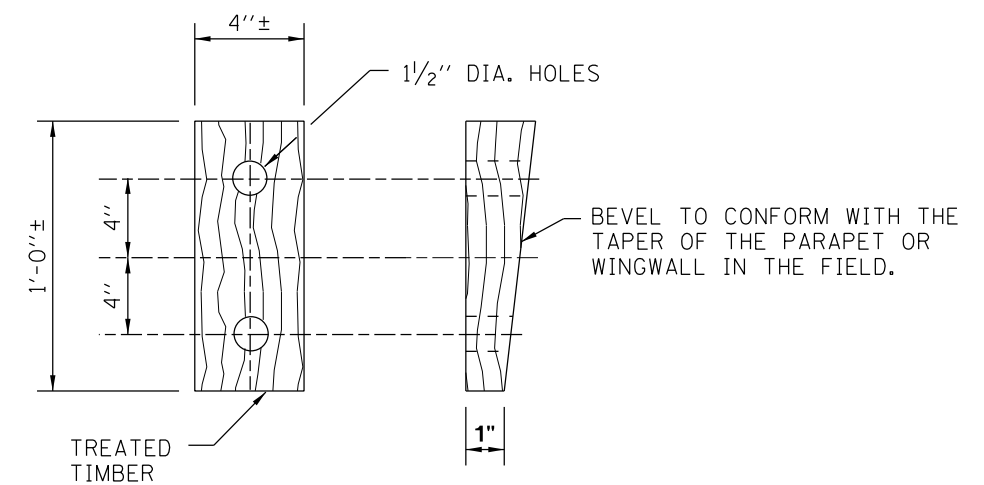


PLATE WASHER F



WEDGE M

**NOTE:**

SEE SHEET 1 OF THIS SERIES FOR NOTES.

CONTRACT 60I31 SHEET 914 OF 963  
SHEET 2 OF 2

APPROVED *Paul Kovacs* DATE 7-1-2009  
CHIEF ENGINEER

**Illinois Tollway**  
Open Roads for a Faster Future

TRAFFIC BARRIER  
TERMINAL, TYPE T5

STANDARD C8-03