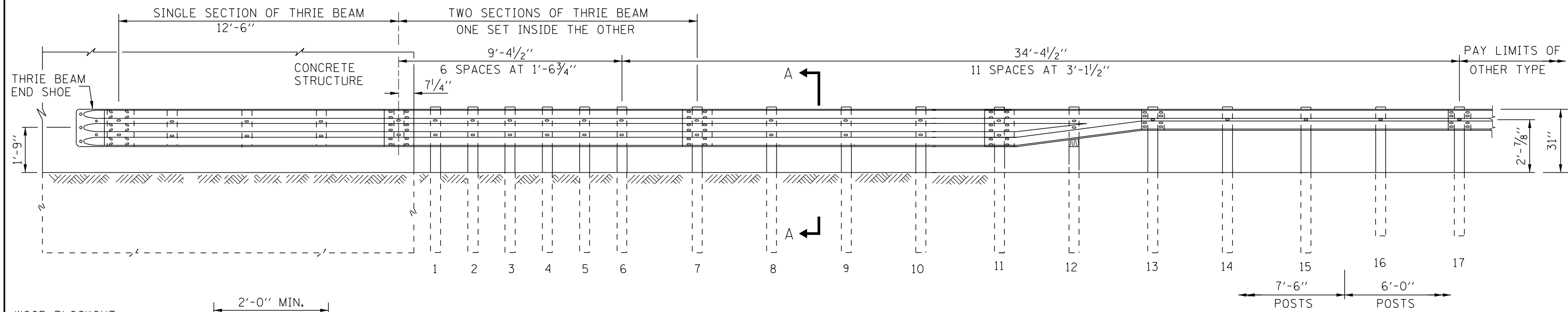
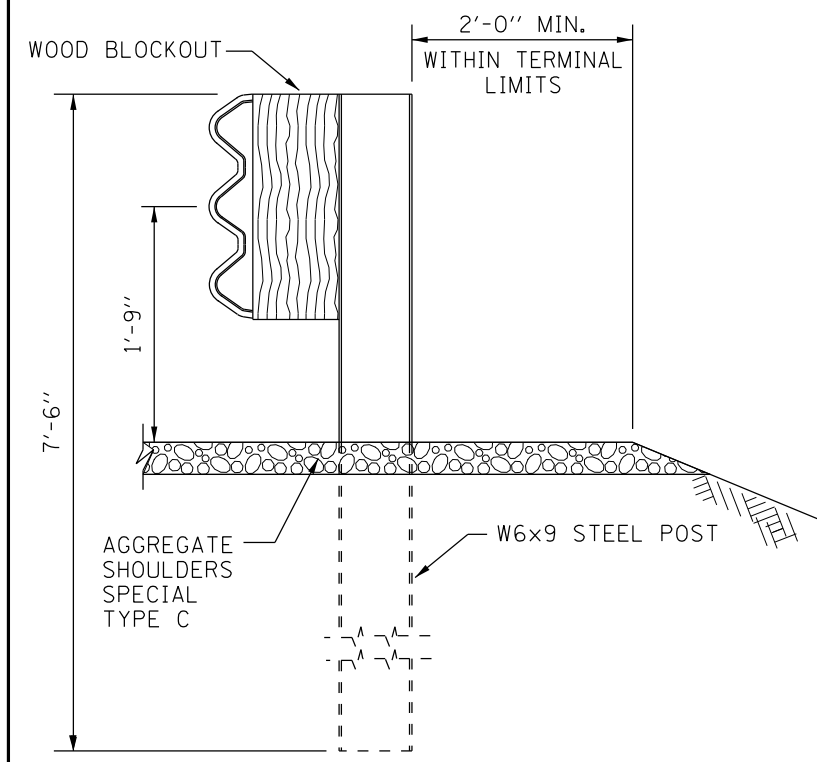


PLAN

* WITH STANDARD WASHERS. AFTER TIGHTENING, CUT THE ANCHOR BOLTS FLUSH WITH THE NUTS AND DAMAGE THE NUTS TO PREVENT THEM FROM LOOSENING. BOLTS SHALL BE ANCHORED INTO DRILLED HOLES USING A CHEMICAL ADHESIVE. MINIMAL EMBEDMENT 10".



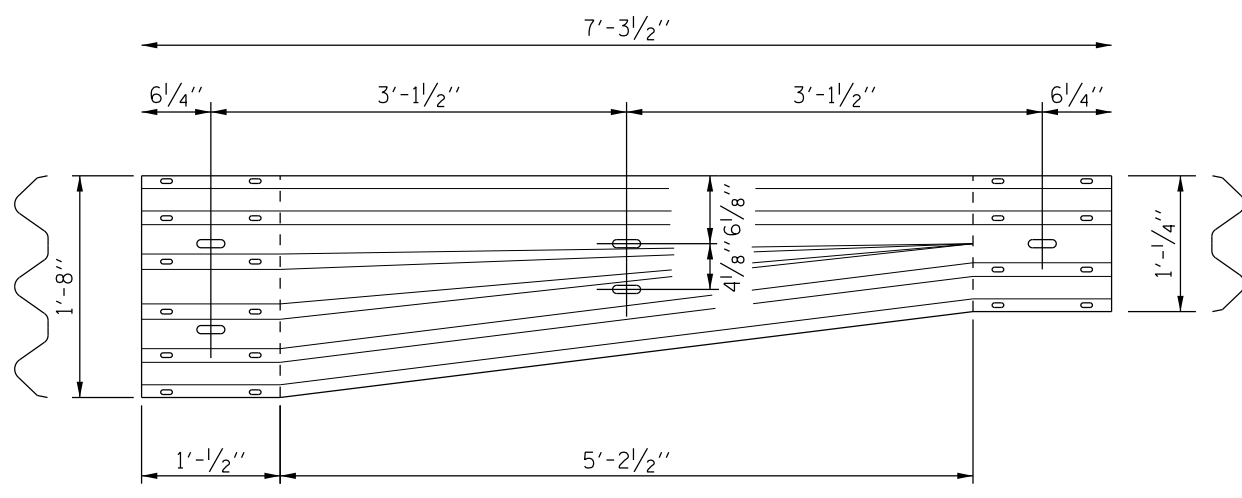
ELEVATION



SECTION A-A

NOTES:

1. SEE STANDARD C1 FOR DETAILS OF GUARDRAIL NOT SHOWN.
2. THRIE BEAM RAIL SHALL BE BOLTED TO BLOCK-OUT AT ALL POSTS.
3. ALL SLOPE RATIOS ARE EXPRESSED AS UNITS OF VERTICAL DISPLACEMENT TO UNITS OF HORIZONTAL DISPLACEMENT (V:H).
4. THE TYPE T6B TERMINAL IS TYPICALLY UTILIZED TO ATTACH GALVANIZED STEEL PLATE BEAM GUARDRAIL AT THE UPSTREAM END OF THE BRIDGE CONCRETE PARAPET, WHERE A ROADSIDE GUTTER IS NOT TO BE INSTALLED.
5. UNDER NO CIRCUMSTANCES SHALL EXISTING TERMINAL, THAT WAS DESIGNED USING A PREVIOUS STANDARD, BE ATTACHED TO OR MODIFIED IN ANYWAY FROM ITS ORIGINAL DESIGN. IF ANY MODIFICATION IS REQUIRED AND A PROPER BARRIER WARRANT HAS BEEN COMPLETED, THE ENTIRE BARRIER INSTALLATION SHALL BE COMPLETELY REMOVED AND REPLACED WITH A NEW SYSTEM THAT CONFORMS TO THE CURRENT STANDARD.
6. TRAFFIC BARRIER TERMINAL SHALL BE IN ACCORDANCE WITH THE MANUFACTURE'S DETAILS AND SPECIFICATIONS.
7. TERMINAL POSTS SHALL NOT BE INSTALLED IN CONCRETE OR HMA PAVEMENTS. WHEN NECESSARY USE LEAVE-OUT DETAIL PER STANDARD C1, SHEET 4 OF 4.
8. TERMINAL BARRIER CLEARANCE DISTANCE SHALL CONFORM WITH TABLE 2 ON STANDARD C1.



TRANSITION SECTION

(10 GAUGE RAIL ELEMENT)

APPROVED *Paul Kovacs* CHIEF ENGINEER DATE 7-1-2009

CONTRACT 60I31 SHEET 919 OF 963

REVISIONS	
3-1-2010	REVISED NOTES
1-1-2011	REMOVED EMBANKMENT SLOPE, REVISED WOOD BLOCKOUT DIMENSION
2-7-2012	REVISED BOLT NOTES, ANCHORAGE ADHESIVE AND REVISED NOTES.

Illinois Tollway
Open Roads for a Faster Future

TRAFFIC BARRIER TERMINAL, TYPE T6B

STANDARD C10-03