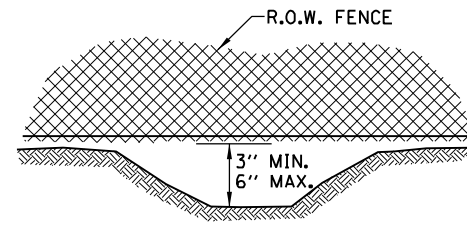
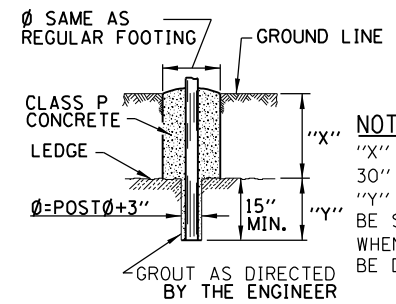


NORMAL FLOW: NONE.  
MAY BE VARIED FOR  
STEEPER BANKS TO FIT  
VARIOUS CHANNEL SECTIONS.

STREAM CROSSING TYPE I

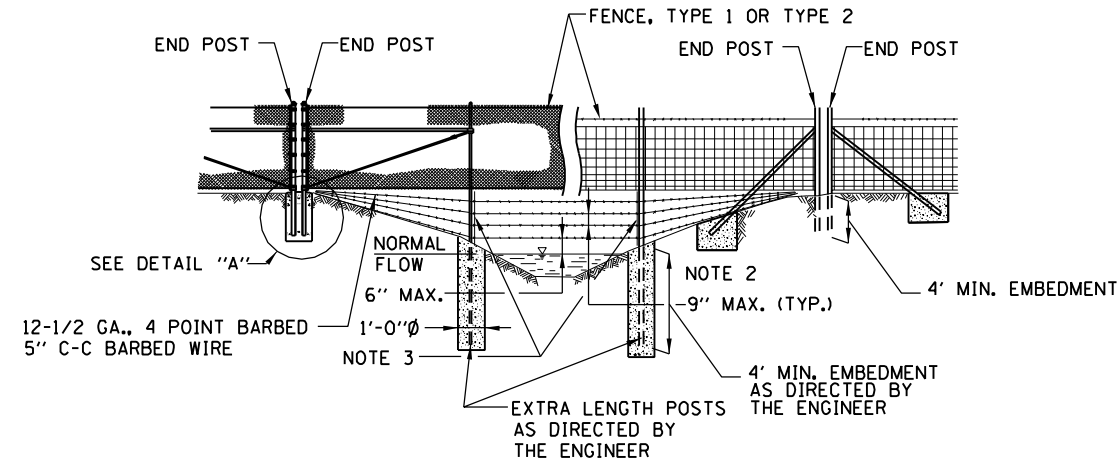


FENCE INSTALLATION OVER DITCH

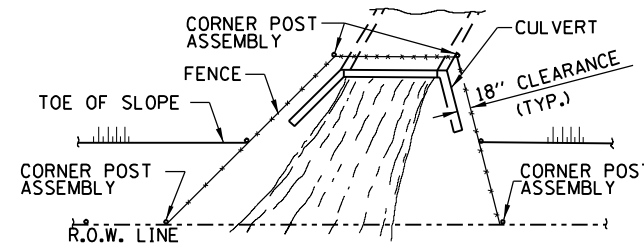


**NOTE:**  
"X" + "Y" SHALL NOT EXCEED  
30" WHEN "X" IS 0" TO 15"  
"Y" = 15", AND THE POST SHALL  
BE SHORTENED AS REQUIRED.  
WHEN "X" EXCEEDS 15" "Y" SHALL  
BE DECREASED ACCORDINGLY.

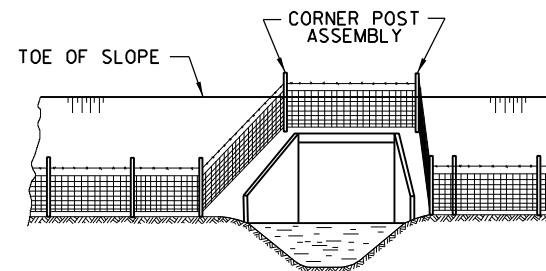
FOOTING FOR POST WHEN ROCK LEDGE  
IS ENCOUNTERED



STREAM CROSSING TYPE II



PLAN AT HEADWALL

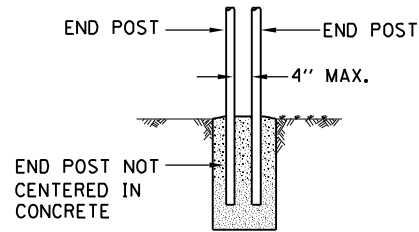


ELEVATION

NOTES FOR INSTALLATION AROUND HEADWALL:

1. THIS TYPE OF INSTALLATION IS TO BE USED ONLY WHEN SPECIFICALLY CALLED FOR IN THE CONTRACT PLANS.
2. WHEN THE WIDTH OF THE CULVERT MAKES NECESSARY TO ANCHOR A POST TO THE TOP OF THE CULVERT, A CAST IRON SHOE OR OTHER DEVICE APPROVED BY THE ENGINEER SHALL BE USED. THE COST OF ANCHORING THE POST SHALL BE INCIDENTAL TO THE TYPE OF FENCE REQUIRED.

INSTALLATION AROUND HEADWALL



THE FENCE FABRIC SHALL BE REPLACED BY BARBED WIRE STRANDS AT 12" MAXIMUM CENTERS BETWEEN THE END POSTS WHEN SHOWN ON THE PLANS THE BARBED WIRE STRANDS, IF REQUIRED, SHALL BE INCIDENTAL TO THE VARIOUS TYPES OF STREAM CROSSING REQUIRED.

DETAIL A

NOTES FOR STREAM CROSSING TYPE I AND TYPE II:

1. THESE INSTALLATION CONDITIONS ARE TYPICAL AND ARE NOT TO BE CONSTRUED AS REPRESENTATIVE OF ALL CONDITIONS WHICH WILL BE ENCOUNTERED CONSTRUCTION WILL BE VARIED AS REQUIRED OR DIRECTED TO MEET FIELD CONDITIONS.
2. FOR STREAM CROSSING OF THE TYPE REQUIRED THE BOTTOM BARBED WIRE SHALL BE ANCHORED TO CONCRETE FOOTING OR TO HOLES DRILLED IN POSTS, AND INTERMEDIATE WIRES SHALL BE TIED TO THE BOTTOM WIRE AND TO POSTS IN AN EVENLY SPACED FASHION TO PREVENT SLIPPAGE.
3. CONCRETE AND FITTINGS FOR ALL TYPES OF FENCE SHALL BE AS DETAILED FOR SIMILAR CONDITIONS ON STANDARD DRAWING SD XX-8A AND SD XX-8C.



RIGHT OF WAY FENCE

STANDARD D1-01