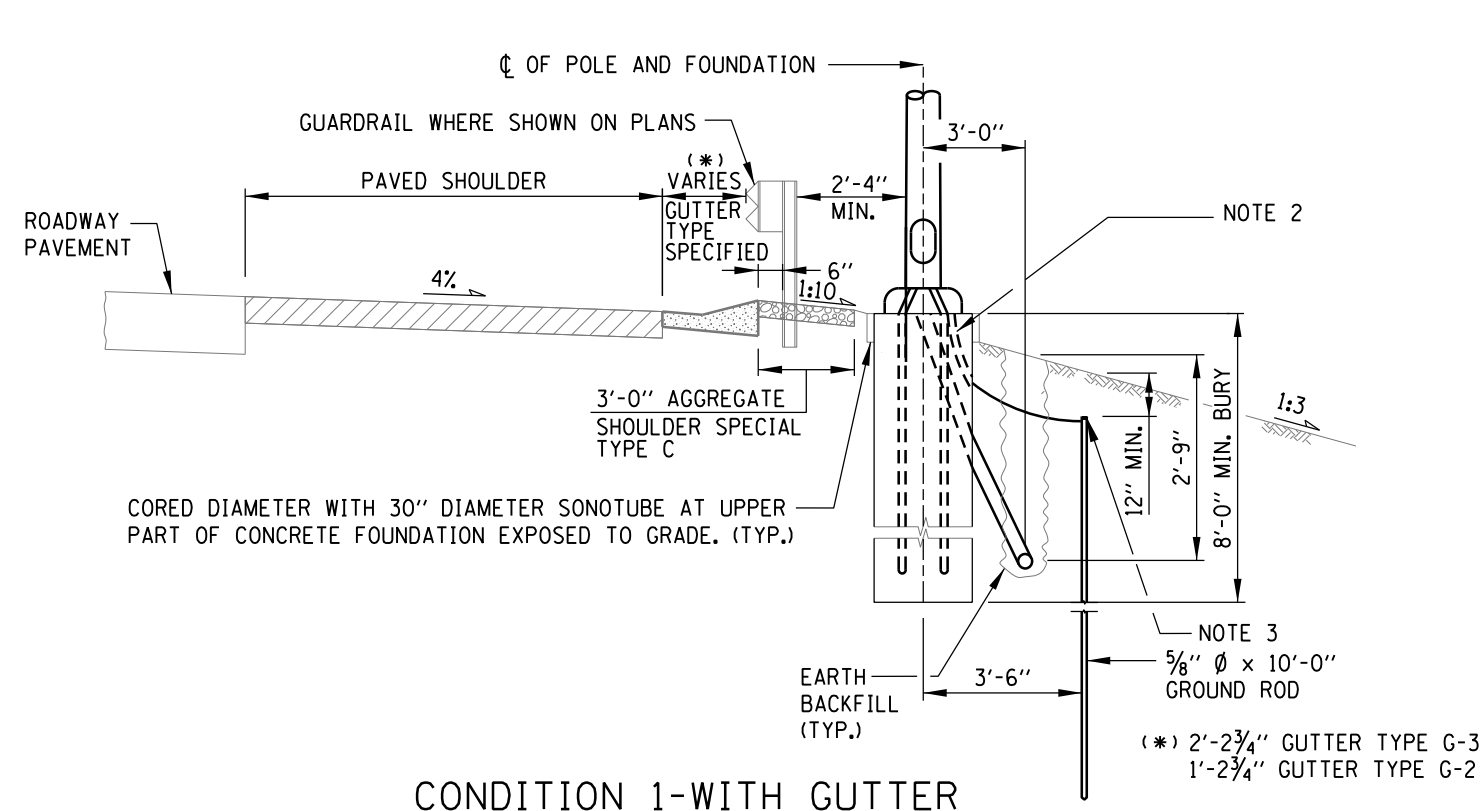
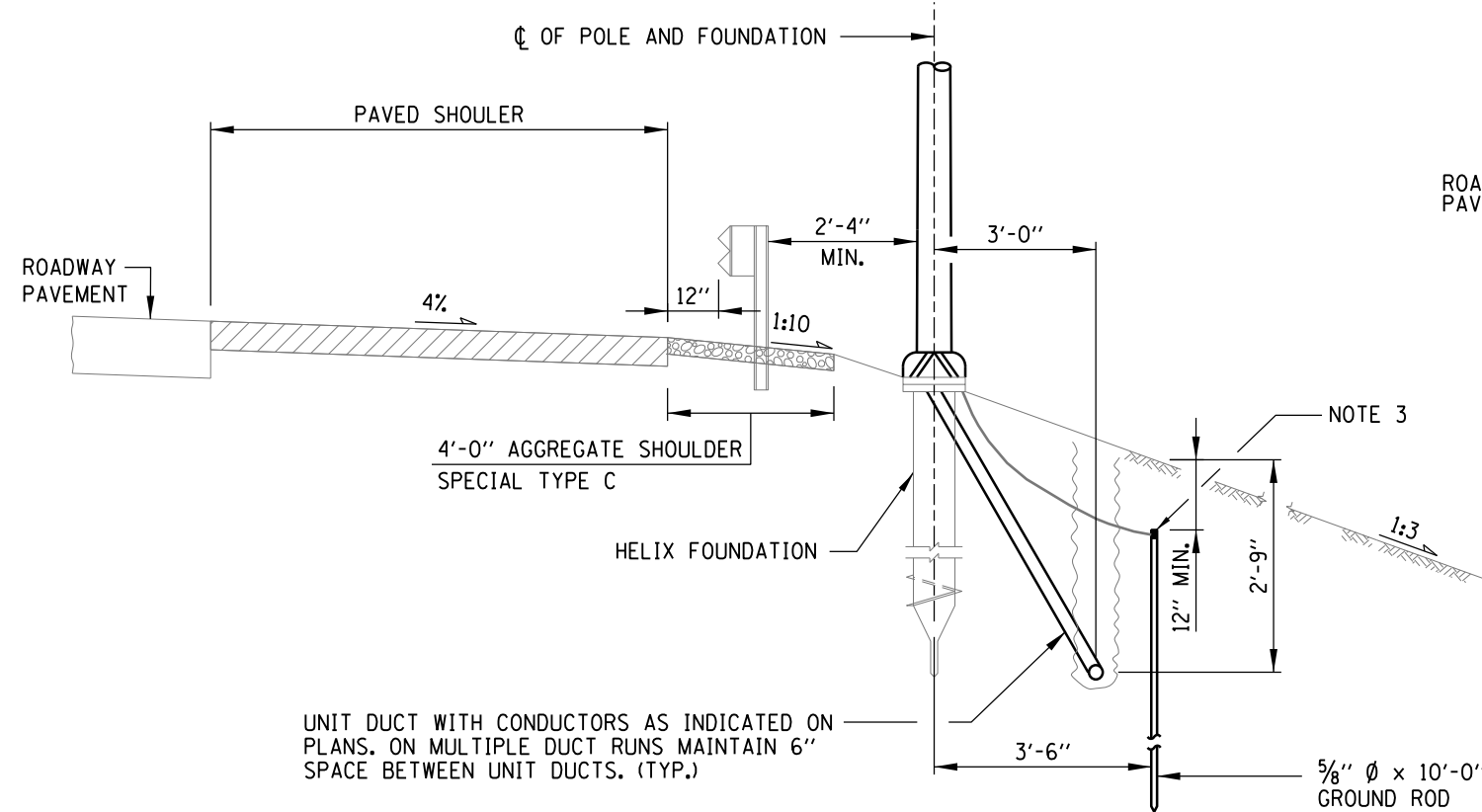


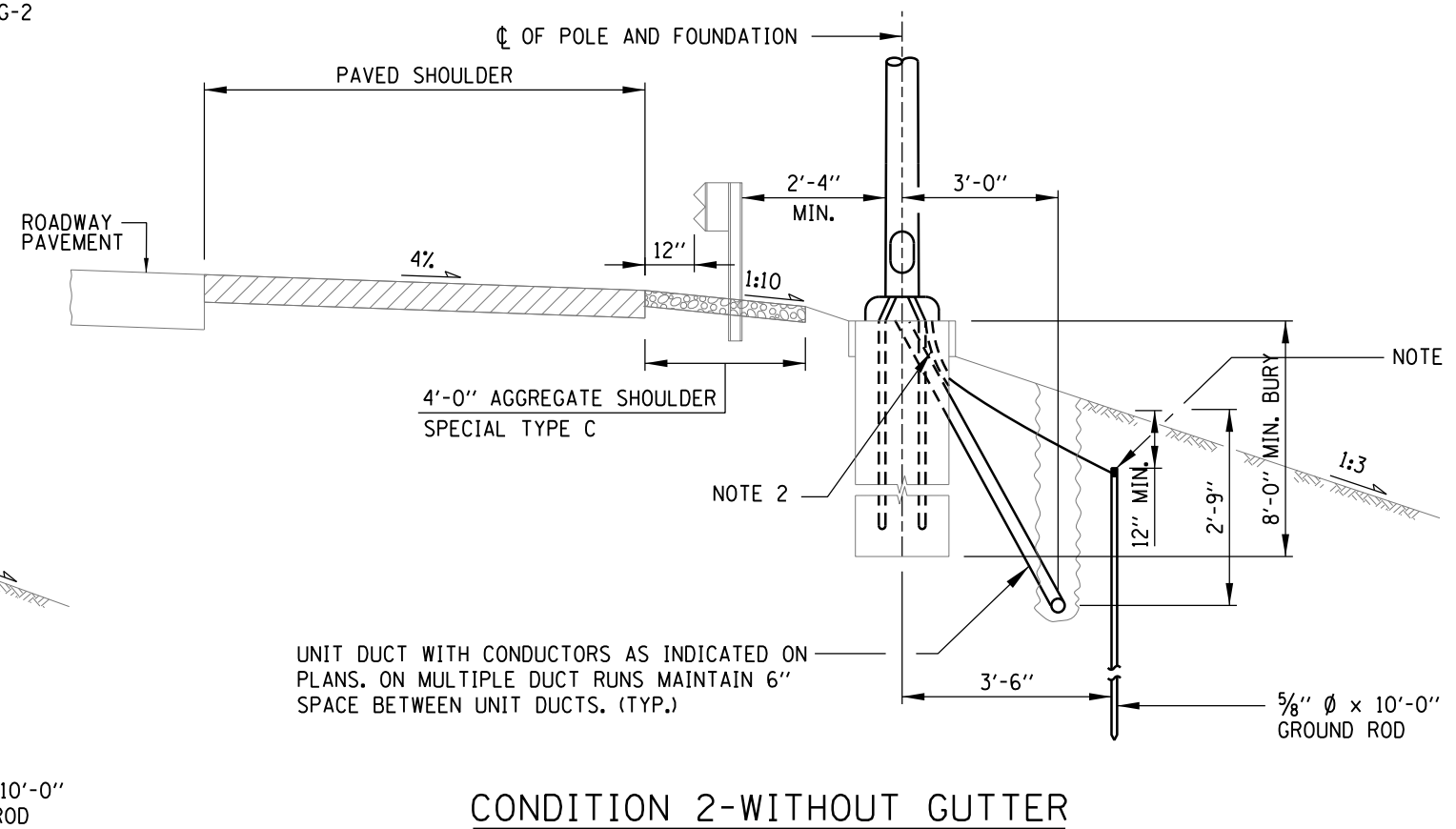
CONDITION 1-WITH GUTTER



CONDITION 1-WITH GUTTER



**CONDITION 2-WITHOUT GUTTER
HELIX FOUNDATION**



**CONDITION 2-WITHOUT GUTTER
CONCRETE FOUNDATION**

CONTRACT 60I31 SHEET 956 OF 963
SHEET 5 OF 6

APPROVED *Paul Kovacs* CHIEF ENGINEER DATE 2-7-2012

NOTE:
SEE SHEET 1 OF THIS SERIES FOR NOTES.



LIGHT STANDARD FOUNDATION

STANDARD H1-01