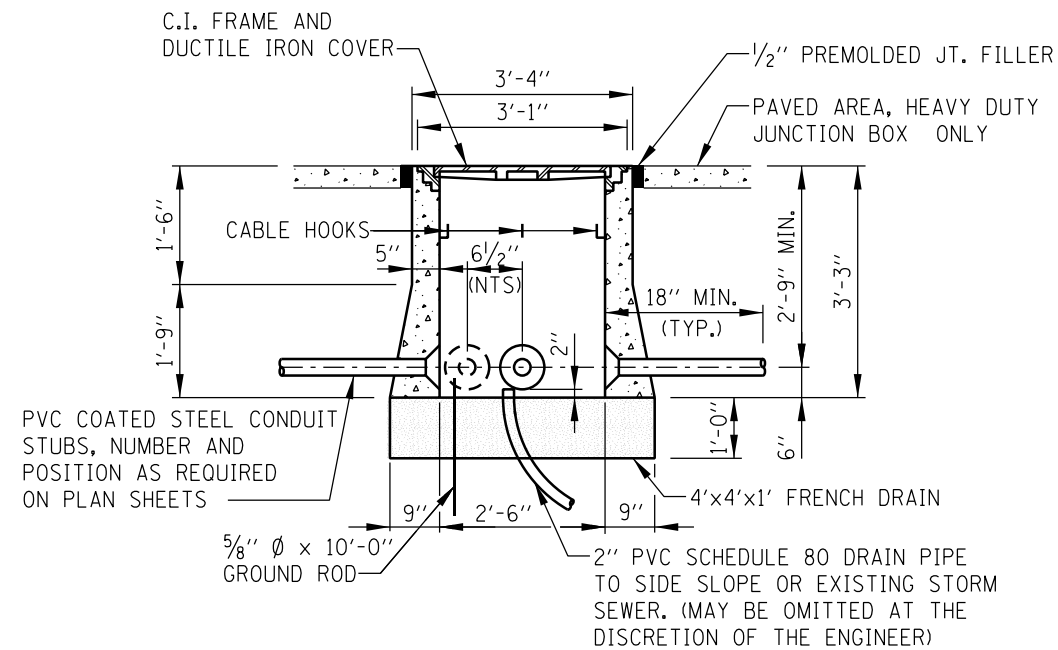
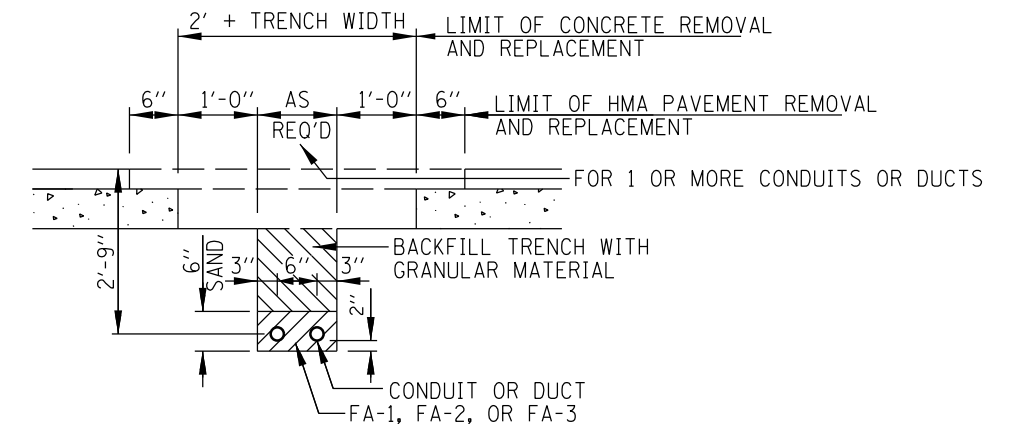


**TRENCHING FOR CONDUIT IN NON-PAVED AREAS**  
(NOTE 6)



**PAVED AREA INSTALLATION**  
**HANDHOLE AND HEAVY DUTY HANDHOLE**  
SEE NOTES

**NOTE:**  
SAW-CUT HMA AND CONCRETE PAVEMENTS PRIOR TO REMOVAL



**TRENCHING FOR CONDUIT IN PAVED AREAS**  
(NOTE 6)

**NOTES:**

- HANDHOLES LOCATED IN UNPAVED AREAS AND NOT SHIELDED BY GUARDRAIL SHALL BE CONSTRUCTED WITH THE TOP FLUSH WITH THE ADJACENT SLOPE.
- HEAVY DUTY HANDHOLE - THIS TYPE SHALL BE CONSTRUCTED IN PAVED AREAS AND ITS FRAME AND COVER SHALL BE EITHER NEENAH FOUNDRY R-6662-PP WITH TYPE G LIFTING HANDLE OR EAST JORDAN IRON WORKS NO. 8213 WITH LIFTING RING, OR APPROVED EQUAL.
- HANDHOLE - THIS TYPE SHALL BE CONSTRUCTED ONLY IN NON-PAVED AREAS AND ITS FRAME AND COVER SHALL BE NEENAH FOUNDRY R-6660-NH OR APPROVED EQUAL. THE FRAME AND COVER SHALL BE INSTALLED WITH THE HINGES AT THE SIDE FACING APPROACHING TRAFFIC.
- AGGREGATE FOR FRENCH DRAIN SHALL BE PER ARTICLE 1003.04 OF THE STANDARD SPECIFICATIONS.
- 10 FEET OF EXTRA CABLE SHALL BE COILED IN EACH HANDHOLE.
- TRENCH AND BACKFILL FOR ELECTRICAL WORK SHALL BE INCLUDED IN THE COST OF THE UNDERGROUND RACEWAY AND WILL NOT BE MEASURED FOR PAYMENT.



APPROVED *Paul Kovacs* CHIEF ENGINEER DATE 2-7-2012

DATE	REVISIONS
2-7-2012	MODIFY TRENCH DETAIL, NEW HANDHOLE DETAILS AND REVISED NOTES

HANDHOLES AND BURIED WIRING DETAILS

STANDARD H4-01