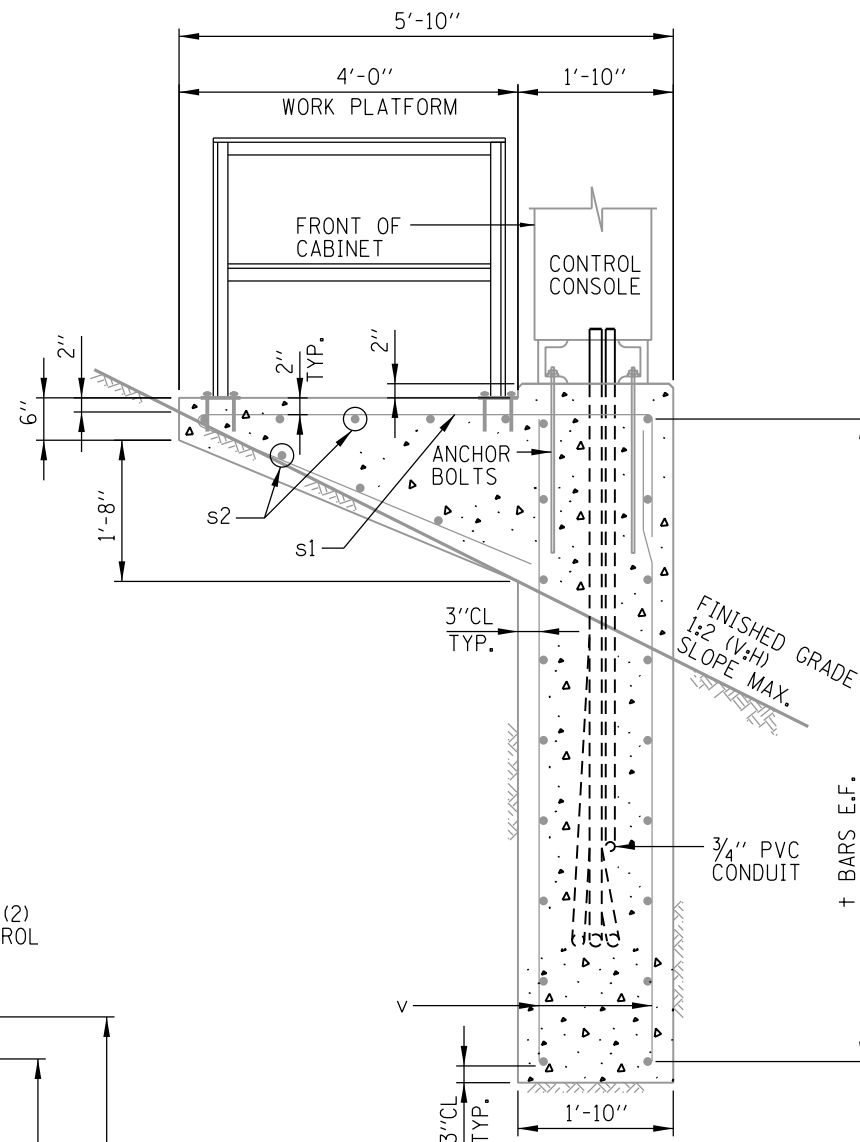
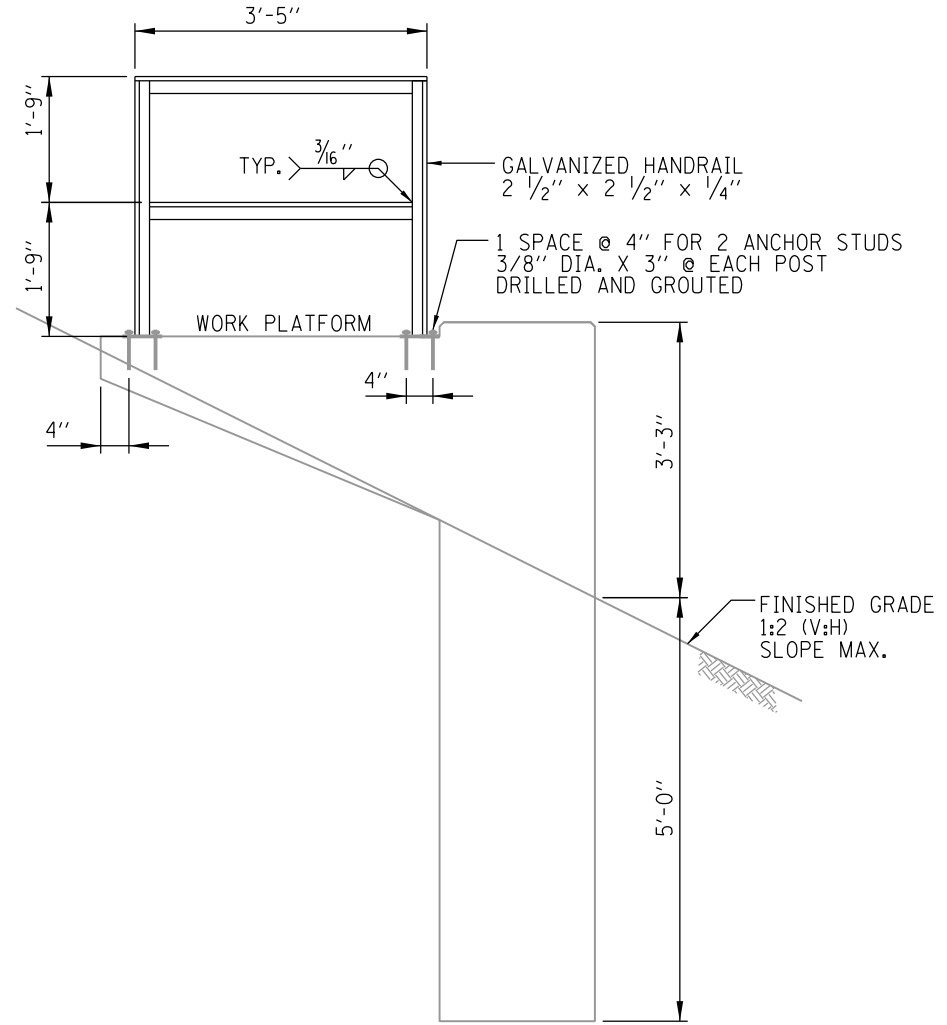


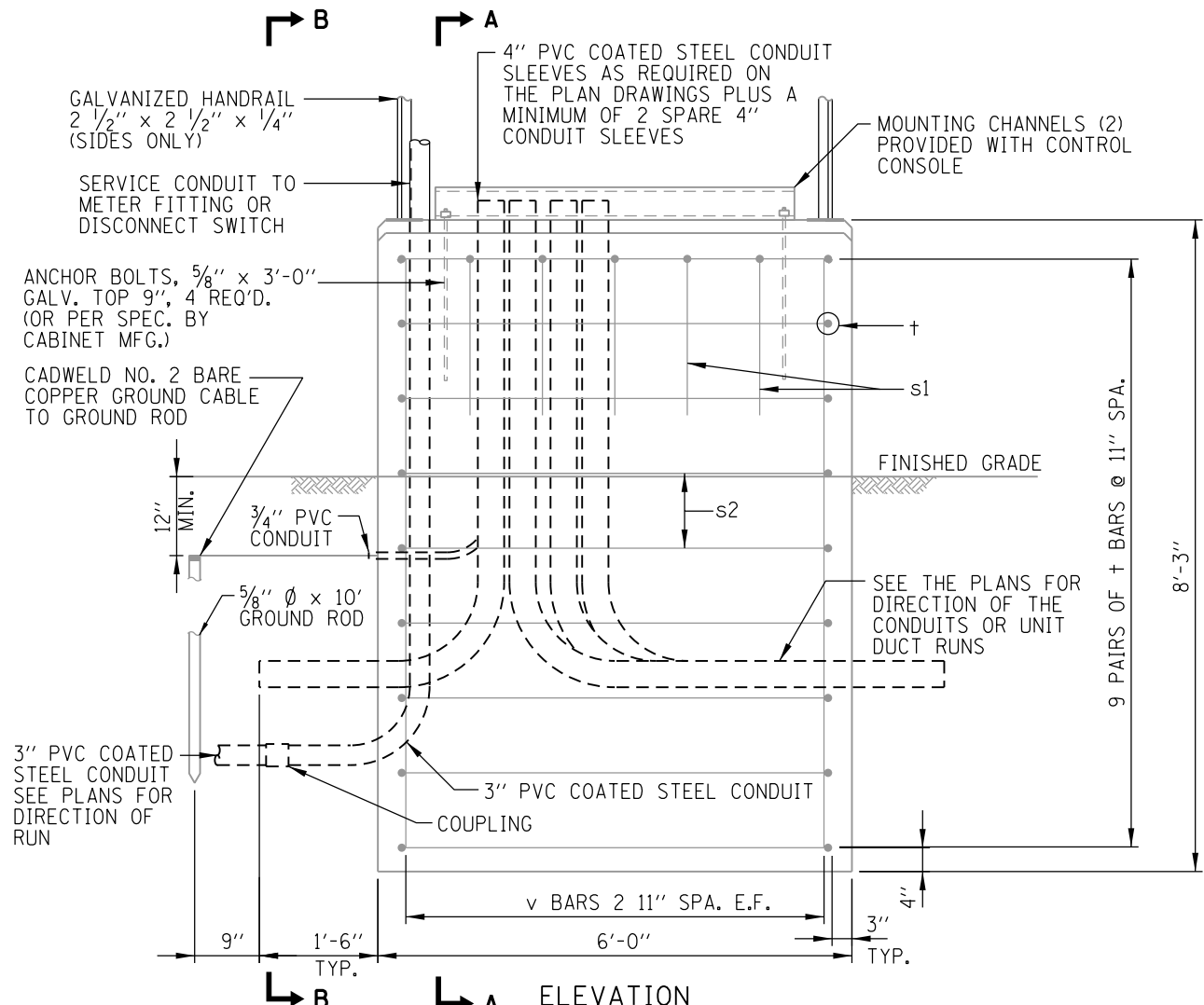
PLAN



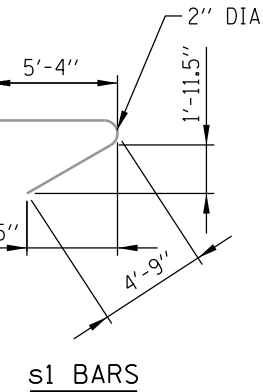
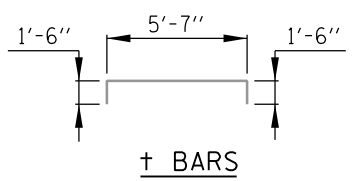
SECTION A-A



VIEW B-B



ELEVATION



NOTES:

1. EXPOSED CONCRETE EDGES SHALL HAVE 3/4" x 45° CHAMFERS EXCEPT WHERE SHOWN OTHERWISE. CHAMFERS ON VERTICAL EDGES SHALL BE CONTINUED A MINIMUM OF ONE FOOT BELOW FINISHED GROUND LEVEL.
2. ALL REINFORCEMENT BARS SHALL BE EPOXY COATED AND SHALL CONFORM TO THE REQUIREMENTS OF AASHTO M-31 (ASTM A615), GRADE 60 DEFORMED BARS.
3. REINFORCEMENT BENDING DETAILS SHALL BE IN ACCORDANCE WITH THE "MANUAL OF STANDARD PRACTICE FOR DETAILING REINFORCED CONCRETE STRUCTURES", ACI 315, LATEST EDITION.
4. REINFORCEMENT BAR BENDING DIMENSIONS ARE OUT TO OUT.
5. COVER FROM THE FACE OF CONCRETE TO FACE OF REINFORCEMENT BARS SHALL BE 3" FOR ALL SURFACES UNLESS OTHERWISE SHOWN.
6. FOR CLARITY, CONTROL CONSOLE AND RAILINGS ARE NOT SHOWN IN PLAN VIEW.

REINFORCING BAR SCHEDULE					
BAR	NO.	SIZE	LENGTH	WT. LBS.	SHAPE
v	16	#4	7'-10"	84	—
t	18	#4	8'-7"	103	┌
s1	12	#4	11'-9"	94	┌
s2	8	#4	5'-6"	29	—

BILL OF MATERIAL		
DESCRIPTION	UNIT	QTY
REINF. STEEL, EPOXY COATED	LBS.	310
CLASS "SI" CONCRETE	CU. YDS.	9.4
STRUCTURAL STEEL	LBS.	158

CONTRACT 60I31 SHEET 963 OF 963  
SHEET 2 OF 2



OUTDOOR CONTROL CONSOLE FOUNDATION DETAILS

STANDARD H7-01

APPROVED *Paul Kovacs* CHIEF ENGINEER DATE 2-7-2012

TYPE B CONTROL CONSOLE FOUNDATION