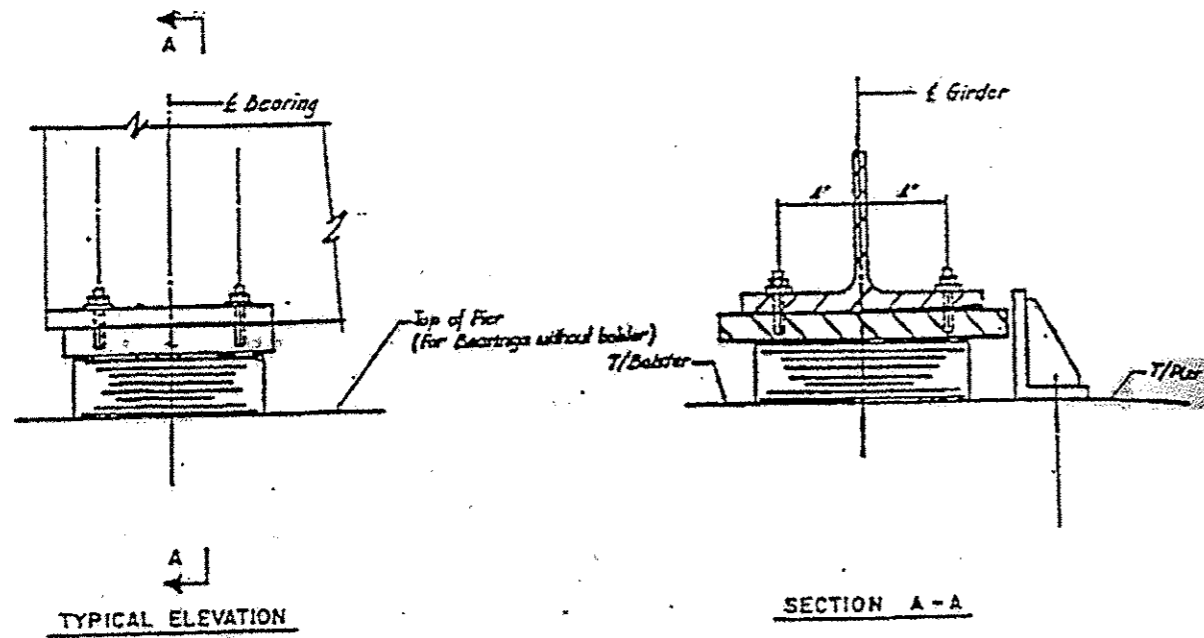
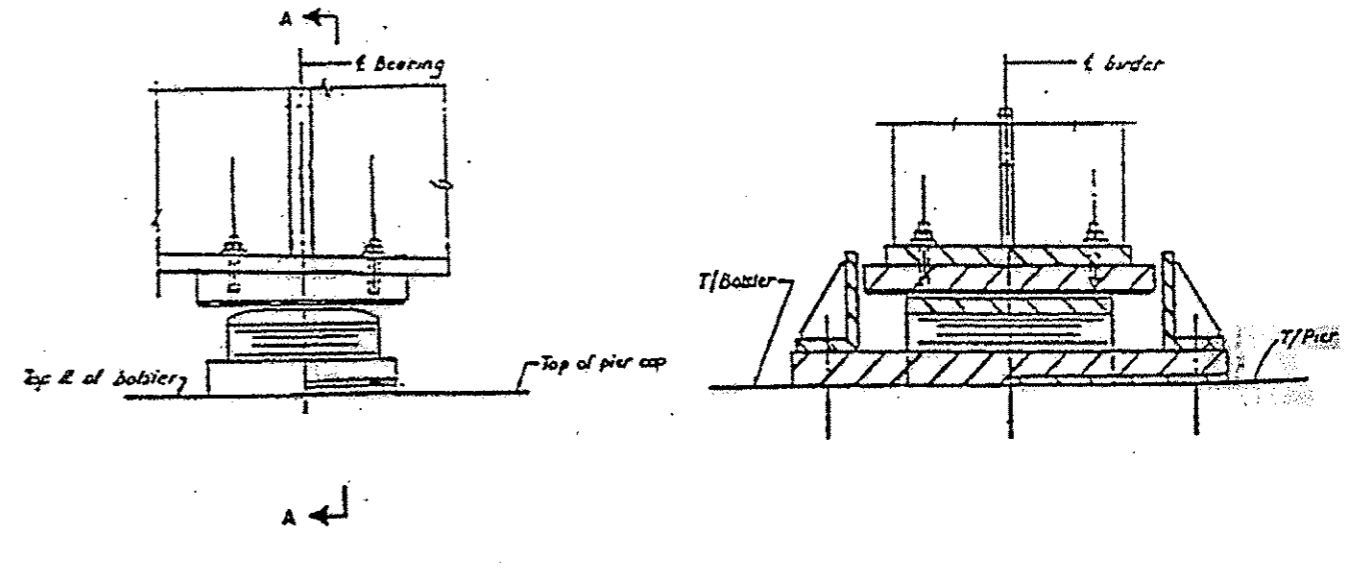


ROUTE	SECTION	COUNTY	TOTAL SHEETS	SHEET NUMBER
FAP 383	2010-051 BP	COOK	43	16

CONTRACT NO. 60L32



TYPE I ELASTOMERIC EXPANSION BEARING



TYPE II TFE ELASTOMERIC EXPANSION BEARING

ELASTOMERIC PORTION OF BEARINGS SHALL BE PROTECTED DURING CLEANING AND PAINTING OPERATIONS.

BEARINGS

ILLINOIS DEPARTMENT OF
TRANSPORTATION

EXISTING BEARINGS

WEST & EAST APPROACH BRIDGE
OHIO ST. FEEDER