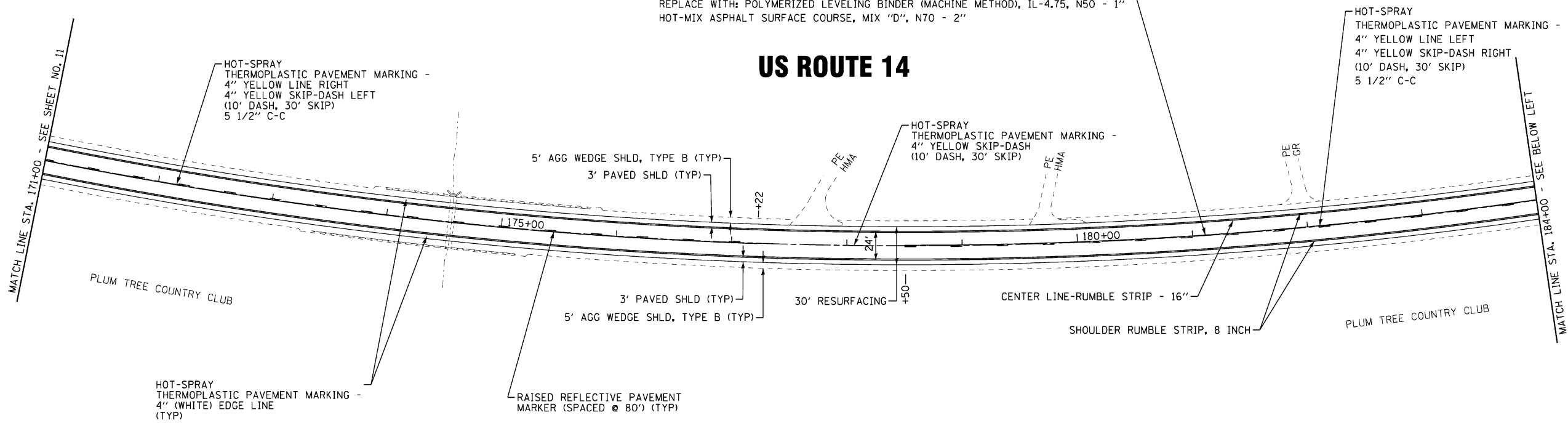


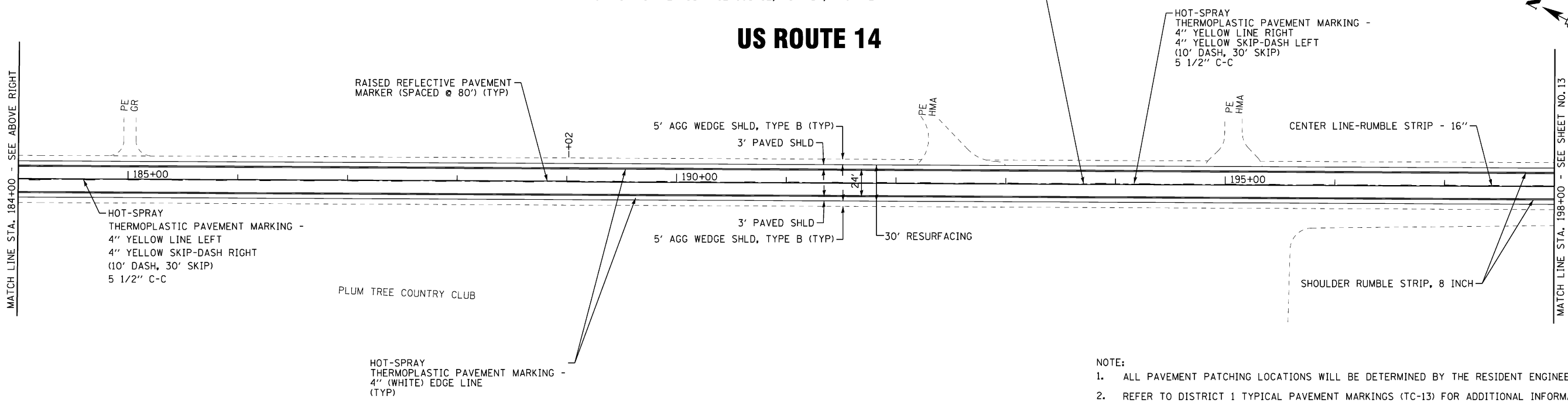
HMA SURFACE REMOVAL, 3"
 REPLACE WITH: POLYMERIZED LEVELING BINDER (MACHINE METHOD), IL-4.75, N50 - 1"
 HOT-MIX ASPHALT SURFACE COURSE, MIX "D", N70 - 2"

US ROUTE 14



HMA SURFACE REMOVAL, 3"
 REPLACE WITH: POLYMERIZED LEVELING BINDER (MACHINE METHOD), IL-4.75, N50 - 1"
 HOT-MIX ASPHALT SURFACE COURSE, MIX "D", N70 - 2"

US ROUTE 14



- NOTE:
1. ALL PAVEMENT PATCHING LOCATIONS WILL BE DETERMINED BY THE RESIDENT ENGINEER.
 2. REFER TO DISTRICT 1 TYPICAL PAVEMENT MARKINGS (TC-13) FOR ADDITIONAL INFORMATION.
 3. REFER TO DISTRICT 1 RAISED REFLECTIVE PAVEMENT MARKERS (TC-11) FOR ADDITIONAL INFORMATION.
 4. HOT-SPRAY THERMOPLASTIC PAVEMENT MARKING SHALL BE USED WHERE RUMBLE STRIP IS PLACED.

COPYRIGHT © 2012 BY BAXTER & WOODMAN, INC.
 ALL RIGHTS RESERVED. NO PART OF THIS DOCUMENT IS TO BE REPRODUCED OR TRANSMITTED IN ANY FORM OR BY ANY MEANS, ELECTRONIC OR MECHANICAL, INCLUDING PHOTOCOPYING, RECORDING, OR BY ANY INFORMATION STORAGE AND RETRIEVAL SYSTEM.
 PROJECT: ILLINOIS ROUTE 23 TO BUNKER HILL ROAD
 DRAWING: ROADWAY & PAVEMENT MARKING PLAN
 DATE: 12/13/10
 FILE: 100153-W018-Plan7.sht



DESIGNED - DSH	REVISED - 8-17-12 IDOT REVIEW
DRAWN - KAR	REVISED -
CHECKED - LDH	REVISED -
DATE - 12-13-10	FILE - 100153-W018-Plan7.sht

STATE OF ILLINOIS
 DEPARTMENT OF TRANSPORTATION

US ROUTE 14
IL ROUTE 23 TO BUNKER HILL ROAD
ROADWAY & PAVEMENT MARKING PLAN

SCALE: 1" = 50'
 STA. 171+00 TO STA. 198+00

F.A.P. RTE.	SECTION	COUNTY	TOTAL SHEETS	SHEET NO.
305	29R-RS-4	McHENRY	25	12
C-91-298-11			CONTRACT NO. 60N28	
FED. ROAD DIST. NO. 1 (ILLINOIS) FED AID PROJECT				