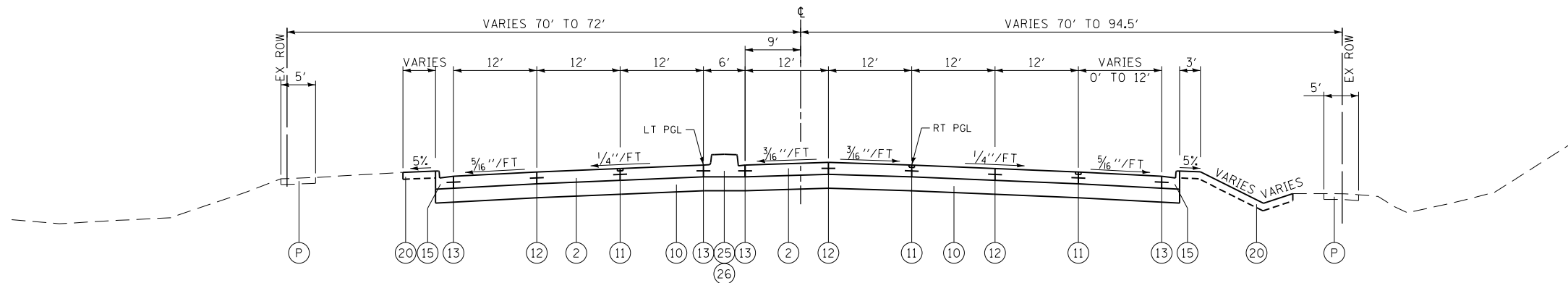
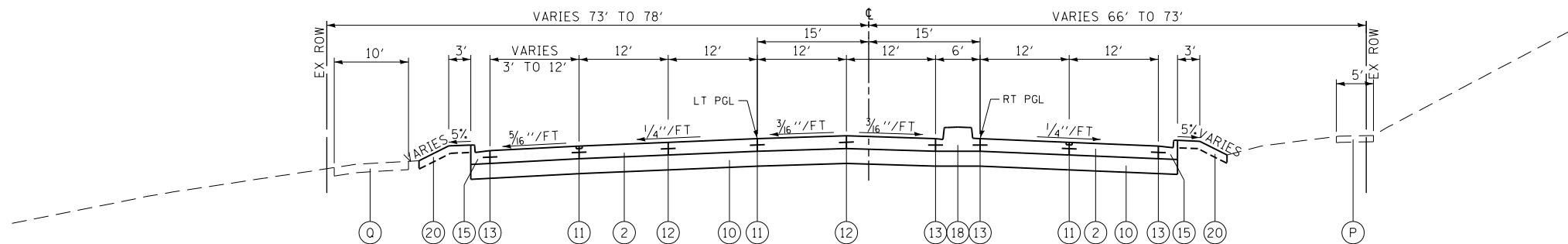


PROPOSED TYPICAL SECTION  
ILLINOIS ROUTE 43  
STATION 503+87.75 TO STATION 511+08.00



PROPOSED TYPICAL SECTION  
ILLINOIS ROUTE 43  
STATION 511+08.00 TO STATION 516+00.00



PROPOSED TYPICAL SECTION  
ILLINOIS ROUTE 43  
STATION 516+00.00 TO STATION 520+94.00  
SEE SHEET 91 TO 93  
FOR SUPERELEVATION DETAILS

EXISTING

- (A) HOT-MIX ASPHALT SURFACE AND BINDER COURSE
- (B) PORTLAND CEMENT CONCRETE PAVMENT (8 1/4" AND VARIES)
- (C) PORTLAND CEMENT CONCRETE PAVEMENT (9" AND VARIES)
- (D) PORTLAND CEMENT CONCRETE PAVEMENT (10" AND VARIES)
- (E) PORTLAND CEMENT CONCRETE PAVEMENT (12 1/4" AND VARIES)
- (F) STABILIZED BASE COURSE (8" AND VARIES)
- (G) SUB-BASE GRANULAR MATERIAL (4" AND VARIES)
- (H) AGGREGATE SUBGRADE (12")
- (I) GRASS MEDIAN
- (J) CONCRETE MEDIAN, TY SB-6.06
- (K) CONCRETE MEDIAN, TY SB-6.12
- (L) COMBINATION CONCRETE CURB & GUTTER, TY B-6.12
- (M) COMBINATION CONCRETE CURB & GUTTER, TY B-6.24
- (N) BITUMINOUS SHOULDER
- (O) AGGREGATE WEDGE SHOULDER, TY B
- (P) PORTLAND CEMENT CONCRETE SIDEWALK (5")
- (Q) MULTI-USE PATH
- (R) MEDIAN BARRIER

PROPOSED

- (1) PORTLAND CEMENT CONCRETE PAVEMENT 9 1/4" (JOINTED)
- (2) PORTLAND CEMENT CONCRETE PAVEMENT 10 1/4" (JOINTED)
- (3) HOT-MIX ASPHALT SURFACE COURSE, MIX "D", N70 2"
- (4) POLYMERIZED HOT-MIX ASPHALT SURFACE COURSE, MIX "F", N90 2"
- (5) HOT-MIX ASPHALT BINDER COURSE, IL-19, N70 7/2"
- (6) HOT-MIX ASPHALT BINDER COURSE, IL-19, N90 12 1/4"
- (7) HOT-MIX ASPHALT SHOULDERS, 7 1/2"
- (8) HOT-MIX ASPHALT SHOULDERS, 12 1/4"
- (9) NOT USED
- (10) AGGREGATE SUBGRADE IMPROVEMENT 12"
- (11) LONGITUDINAL SAWED JOINT NO. 6 X 2'-6" LONG DEFORMED TIE BARS (EPOXY COATED) AT 2'-6" C-C (STANDARD 420001-07) (INCLUDED IN THE COST OF PCC PAVEMENT)
- (12) LONGITUDINAL CONSTRUCTION JOINT NO. 6 X 2' LONG DEFORMED TIE BARS GROUTED-IN-PLACE (EPOXY COATED) AT 2' C-C (STANDARD 420001-07) (INCLUDED IN THE COST OF PCC PAVEMENT)
- (13) NO. 6 X 2' LONG DEFORMED TIE BARS GROUTED-IN-PLACE (EPOXY COATED) AT 2' C-C (STANDARD 420001-07) (INCLUDED IN THE COST OF COMBINATION CURB & GUTTER OR CONCRETE MEDIAN)
- (14) COMBINATION CONCRETE CURB & GUTTER, TY B-6.12
- (15) COMBINATION CONCRETE CURB & GUTTER, TY B-6.24
- (16) COMBINATION CONCRETE CURB & GUTTER, TY B-9.12 (MODIFIED)
- (17) CONCRETE MEDIAN, TY SB-6.06
- (18) CONCRETE MEDIAN, TY SB-9.12
- (19) PORTLAND CEMENT CONCRETE SIDEWALK 5"
- (20) TOPSOIL FURNISH AND PLACE 6" AND SODDING OR SEEDING AS NOTED ON PLANS
- (21) TOPSOIL FURNISH AND PLACE, 30" AND SODDING OR LANDSCAPING AS NOTED ON PLANS
- (22) PIPE UNDERDRAINS, FABRIC LINED TRENCH 4"
- (23) BRICK SIDEWALK
- (24) CONCRETE MEDIAN SURFACE, 4 INCH
- (25) STAMPED COLORED CONCRETE MEDIAN SURFACE, 4 INCH (SPECIAL)
- (26) AGGREGATE BASE COURSE, TYPE B

FILE NAME =	USER NAME = BAW:ort	DESIGNED - JLV	REVISED -
G:\CH11\0158\Road\Sheets\0160T35-SHT-TYPICAL.dgn		DRAWN - KAL	REVISED -
PLOT SCALE = 20.000' / in.		CHECKED - RCB	REVISED -
PLOT DATE = 11/28/2012		DATE - 10/31/2012	REVISED -

STATE OF ILLINOIS  
DEPARTMENT OF TRANSPORTATION

TYPICAL SECTIONS

SCALE: N.T.S. SHEET NO. 30 OF 919 SHEETS

F.A.P. RTE.	SECTION	COUNTY	TOTAL SHEETS	SHEET NO.
305	(1920.01,1518,2022&1922.4)BR	COOK	919	30
FED. ROAD DIST. NO. 1 ILLINOIS FED. AID PROJECT			CONTRACT NO. 60T35	