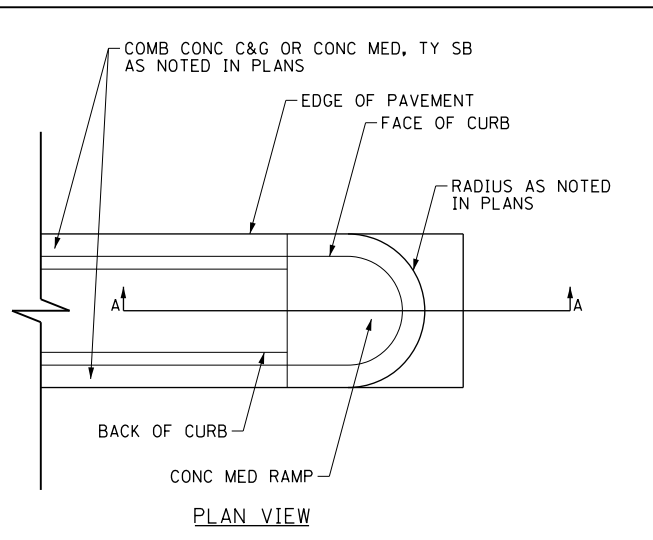
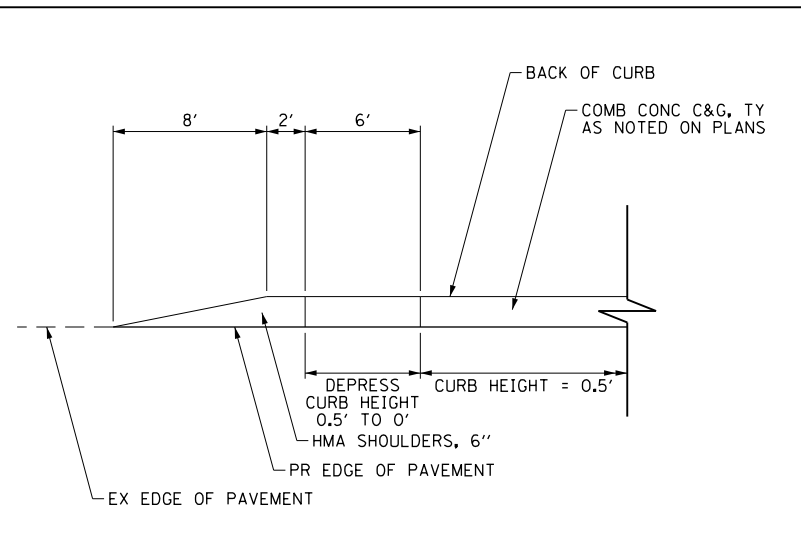


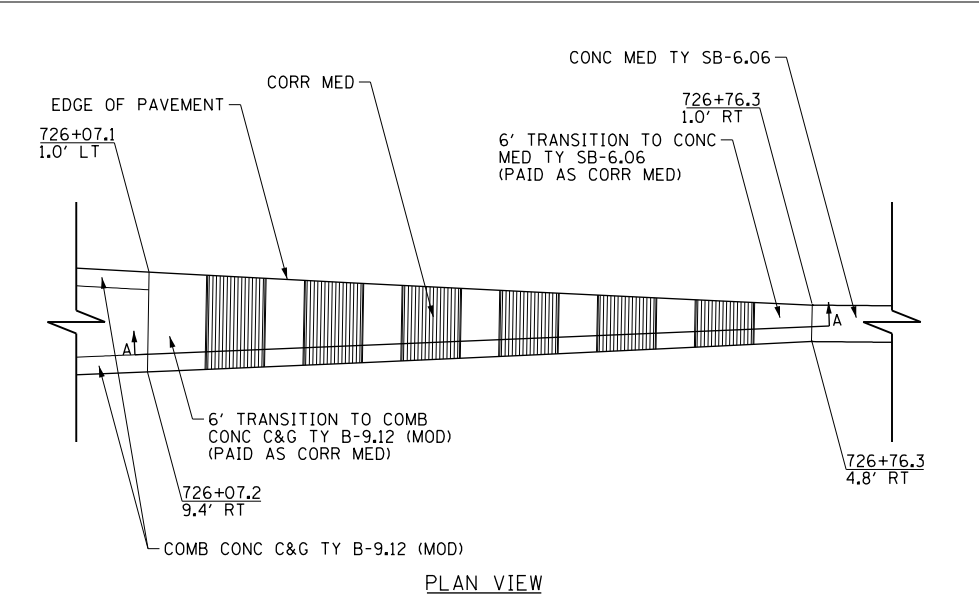
WILLOW ROAD ISLAND DETAIL
STA 720+85.71



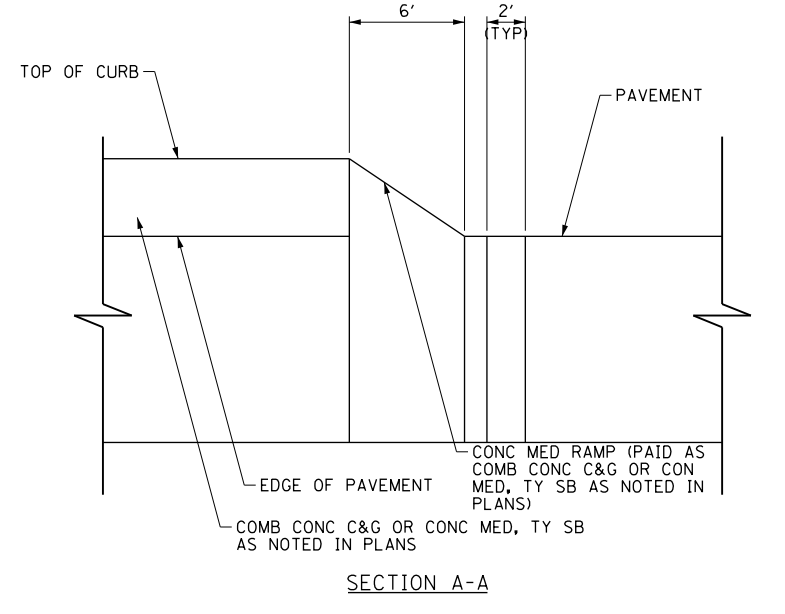
PLAN VIEW



CURB AND GUTTER TRANSITION TO EXISTING

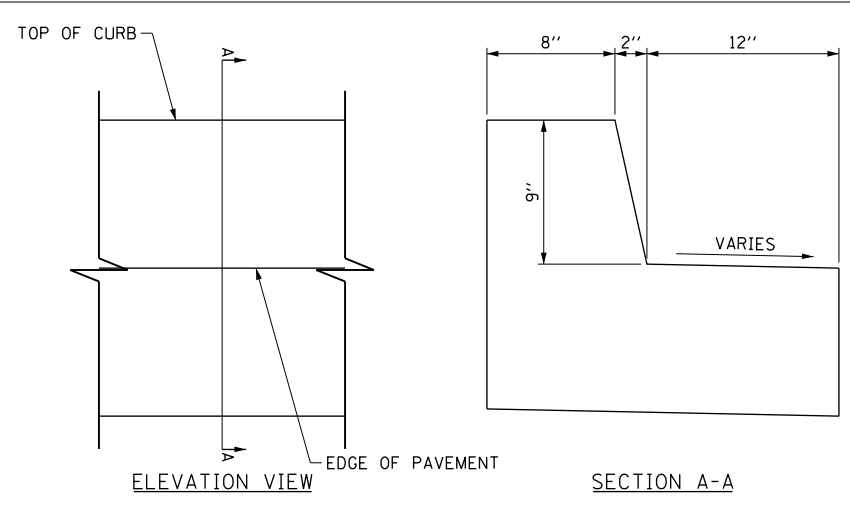


PLAN VIEW



SECTION A-A

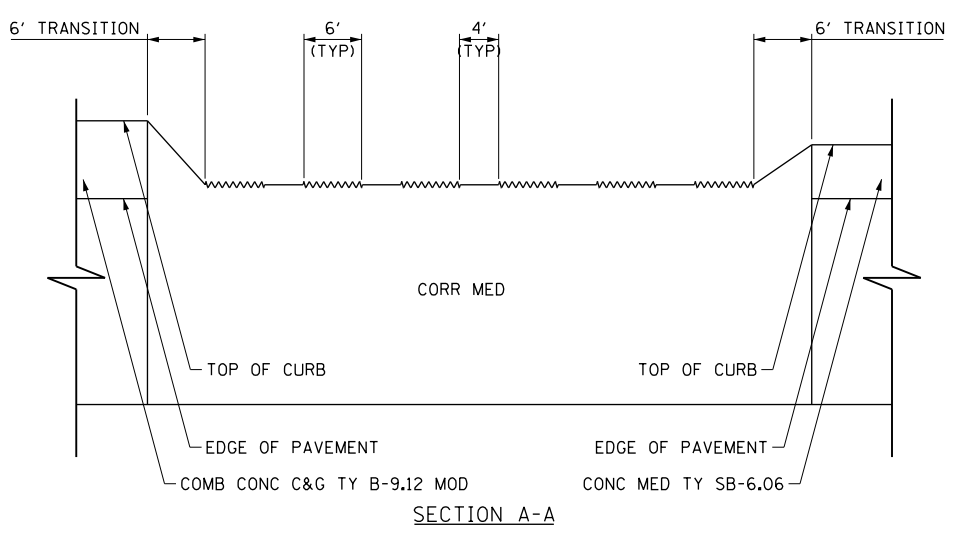
CONCRETE MEDIAN RAMP TRANSITION



ELEVATION VIEW

SECTION A-A

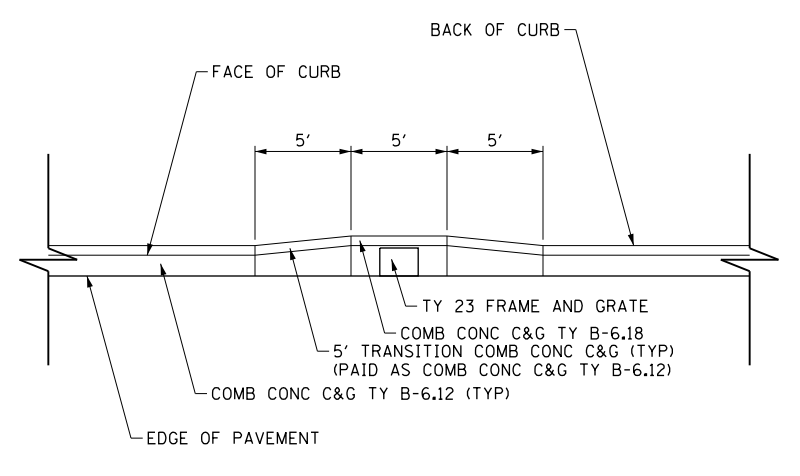
COMBINATION CONCRETE CURB AND GUTTER TYPE B-9.12 (MODIFIED)



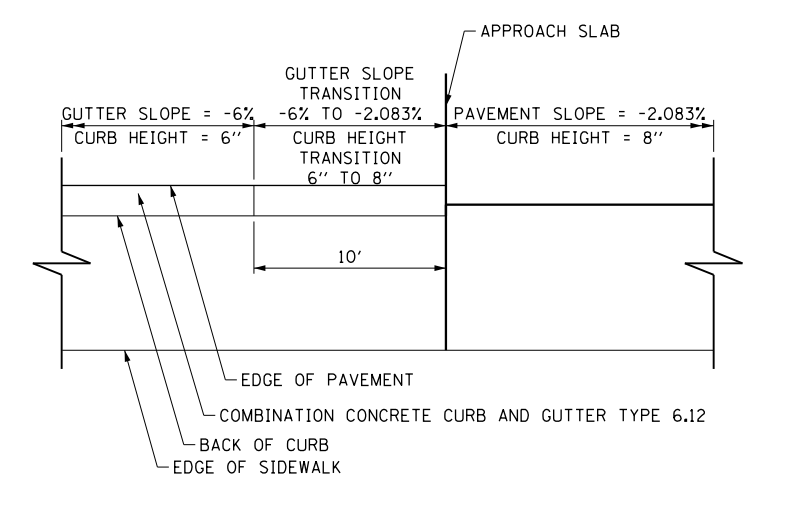
SECTION A-A

CORRUGATED MEDIAN

NOTE: CORRUGATED MEDIANS SHALL BE CONSTRUCTED IN ACCORDANCE WITH APPLICABLE PORTIONS OF STANDARD 606306-03



CURB AND GUTTER TRANSITION FOR TYPE 23 FRAME AND GRATE



COMBINATION CONCRETE CURB AND GUTTER TRANSITION AT BRIDGE

| | | | |
|---|-----------------------|----------------|-----------|
| FILE NAME = G:\CH11\0158\Road\Sheets\0160T35-SHT-PLN\DET-01.dgn | USER NAME = BAW\rtort | DESIGNED - JLV | REVISED - |
| PLOT SCALE = 40.000' / in. | CHECKED - RCB | DRAWN - KAL | REVISED - |
| PLOT DATE = 11/1/2012 | DATE - 10/31/2012 | | REVISED - |

STATE OF ILLINOIS
DEPARTMENT OF TRANSPORTATION

ISLAND, CURB AND GUTTER TRANSITION,
AND MEDIAN TRANSITION DETAILS

SCALE: N.T.S. SHEET NO. 101 OF 919 SHEETS

| | | | | |
|---|------------------------------|--------|--------------------|-----------|
| F.A.P. RTE. | SECTION | COUNTY | TOTAL SHEETS | SHEET NO. |
| 305 | (1920.01,1518,2022&1922.4)BR | COOK | 919 | 101 |
| FED. ROAD DIST. NO. 1 ILLINOIS FED. AID PROJECT | | | CONTRACT NO. 60T35 | |