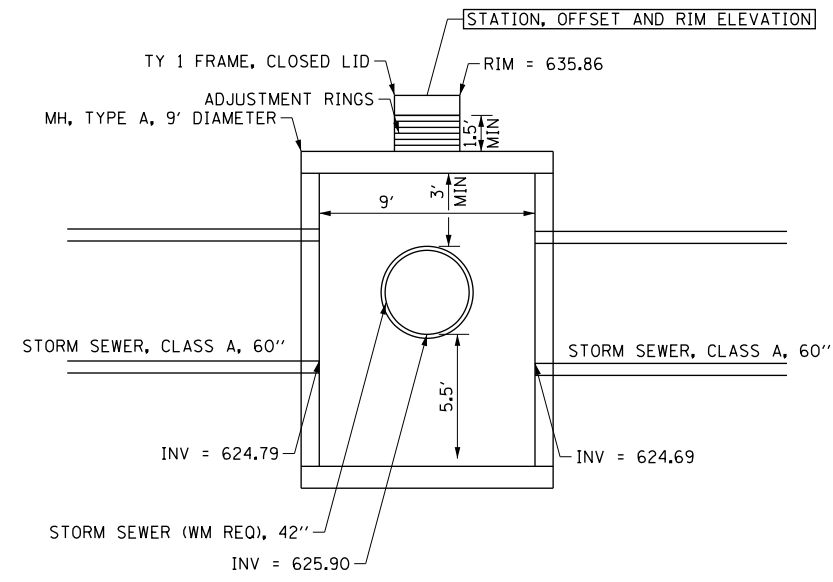


PLAN VIEW
STRUCTURE NO. 12-2

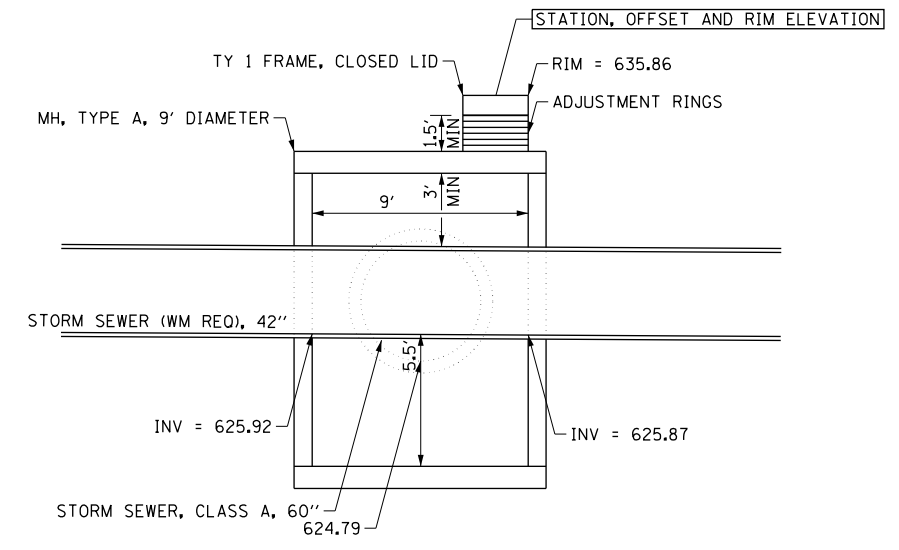
NOTES:

1. STRUCTURE SHALL BE PRECAST REINFORCED CONCRETE AND IN ACCORDANCE WITH HIGHWAY STANDARD 602421-03.
2. SEE HIGHWAY STANDARDS 602601-02, 602701-02 AND 604001-03 FOR ADDITIONAL INFORMATION AND REQUIREMENTS.
3. THE CONTRACT UNIT PRICE FOR EACH SHALL INCLUDE ALL EXCAVATION, BACKFILL, CONCRETE, REINFORCEMENT, FRAME, LID AND OTHER INCIDENTALS AS SPECIFIED ON THIS DETAIL AND AS DIRECTED BY THE ENGINEER.
4. ALL INVERTS AND ELEVATIONS SHALL BE FIELD VERIFIED BY THE CONTRACTOR PRIOR TO ORDERING MATERIALS AND PREFABRICATION. THIS WORK WILL NOT BE PAID FOR SEPARATELY, BUT SHALL BE INCLUDED WITHIN THE CONTRACT UNIT PRICE FOR EACH STRUCTURE.
5. STATION, OFFSET AND RIM ELEVATION PROVIDED ARE AT THE CENTER OF THE PROPOSED FRAME AND LID.

A FULLY ENCLOSED, CONTINUOUS SEGMENT OF 42" STORM SEWER (WM REQ) PIPE SHALL PASS THROUGH THE STRUCTURE AS SHOWN IN THIS DETAIL. THIS PIPE SHALL NOT DISCHARGE INTO THE STRUCTURE, BUT RATHER SHALL REMAIN FULLY INDEPENDENT AND SEPARATE FROM THE PROPOSED WILLOW ROAD MAINLINE STORM SEWER. THE PRECAST OPENINGS IN THE STRUCTURE WALLS SHALL BE TIGHTLY SEALED AFTER INSTALLATION OF THE 42" PIPE TO THE SATISFACTION OF THE ENGINEER. THIS WORK WILL NOT BE PAID FOR SEPARATELY, BUT SHALL BE INCLUDED IN THE CONTRACT UNIT PRICE FOR EACH STRUCTURE.



SECTION A-A



SECTION B-B

FILE NAME =	USER NAME = BAW:ort	DESIGNED - JLV	REVISED -
g:\ch11\0158\road\Sheets\0160T35-SHT-DRN\DET-01.dgn		DRAWN - KAL	REVISED -
	PLOT SCALE = 40.000' / in.	CHECKED - RCB	REVISED -
	PLOT DATE = 11/1/2012	DATE - 10/31/2012	REVISED -

**STATE OF ILLINOIS
DEPARTMENT OF TRANSPORTATION**

**DRAINAGE DETAILS
STRUCTURE NUMBER 12-2**

SCALE: N.T.S. SHEET NO. 213 OF 919 SHEETS

F.A.P. RTE.	SECTION	COUNTY	TOTAL SHEETS	SHEET NO.
305	(1920.01,1518,2022&1922.4)R	COOK	919	213
FED. ROAD DIST. NO. 1 ILLINOIS FED. AID PROJECT			CONTRACT NO. 60T35	