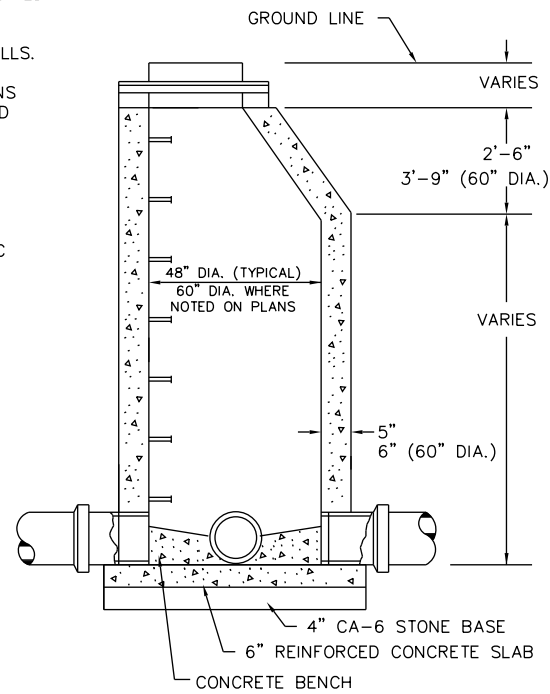
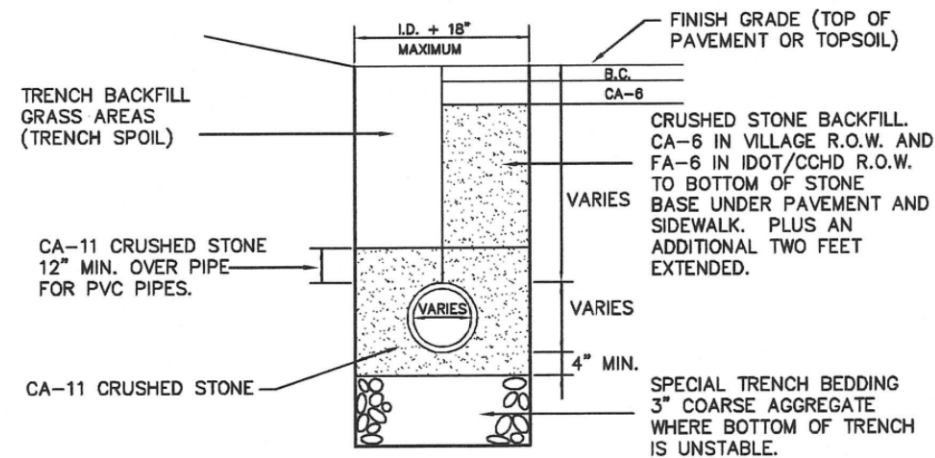


NOTES:

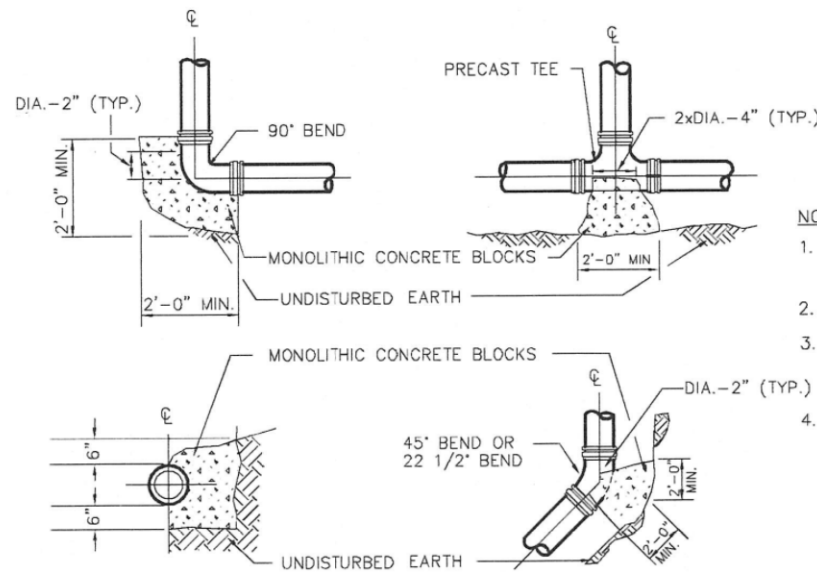
1. EXTERIOR NEOPRENE CHIMNEY SEAL REQUIRED ON ALL SANITARY MANHOLE RIMS.
2. PIPE OPENINGS TO BE PRECAST INTO WALLS.
3. PRECAST REINFORCED CONCRETE SECTIONS WITH PREFORMED BITUMINOUS JOINTS AND INTEGRAL PRECAST BOTTOMS.
4. FRAME TO BE LAID IN 3/4" MASTIC BED.
5. ADJUSTING RINGS NOT TO EXCEED 8".
6. STEPS TO BE STEEL REINFORCED PLASTIC OR APPROVED EQUAL.
7. STEPS TO BE IMBEDDED INTO WALL A MINIMUM OF 3".
8. STEPS TO BE AT 16" CENTERS. FIRST STEP TO BE 8" BELOW FRAME.
9. CAST IN RESILIENT WATERTIGHT SLEEVE CLAMPED WITH A STAINLESS BAND FOR ALL SANITARY MANHOLES.
10. INVERT TO BE FORMED WITH HALF-PIPE POUR PCC BENCH TO TROUGH.
11. PCC BENCH SHALL EXTEND TO CROWN AND SLOPE 3" TO OUTSIDE WALL-SMOOTH FINISH.
12. FRAME TO BE NEENAH R-1772-C LID TO BE SELF-SEALING WITH "SANITARY" IMPRINTED ON COVER AND BLIND PICK HOLE.



SANITARY MANHOLE



SANITARY TRENCH



SECTIONAL VIEW

NOTES:

1. BLOCKING SHALL BE APPLIED FOR ALL TEES, PLUGS, CAPS, & 22 1/2° OR MORE BENDS.
2. THRUST BLOCKS TO BE CLASS "X" CONCRETE.
3. BEARING AREAS OF UNDISTURBED EARTH SHALL HAVE A MINIMUM ALLOWABLE BEARING CAPACITY OF 2000 P.S.F.
4. BEARING AREA OF SOIL BASED ON 65 P.S.I. WATERMAIN PRESSURE.

RESTRAINED TYPE OF FITTING	RESTRAINED LENGTH - EACH WAY			
	8"	10"	12"	24"
DEAD END/TEE	17'-0"	21'-0"	25'-0"	45'-0"
90° BEND	13'-0"	16'-0"	19'-0"	35'-0"
45° BEND	6'-0"	7'-0"	8'-0"	15'-0"
22 1/2° BEND	3'-0"	4'-0"	4'-0"	7'-0"
11 1/4° BEND	2'-0"	2'-0"	2'-0"	4'-0"
VERTICAL OFFSET UPPER/LOWER	9/4	11/5	20/6	35/10
FIRE HYDRANT	ALL JOINTS RESTRAINED FROM MAIN TO MJ SHOE			

NOTES:

JOINT RESTRAINT FOR FITTINGS/CONFIGURATIONS NOT SHOWN SHALL BE PER MANUFACTURER'S RECOMEDATIONS.
ALL BENDS, TEES, ELBOWS, REDUCERS, ETC. SHALL BE MJ WITH RETAINING GLANDS AND USING MEGALUG SERIES 1100 RESTRAINT SYSTEM AS MANUFACTURED BY EBAA IRON.

THRUST BLOCKING AND RESTRAINED LENGTH TABLE

FILE NAME =	USER NAME = BAW:tor.t	DESIGNED -	REVISED -
g:\ch11\0158\road\Sheets\0160T35-SHT-SAN	M-STD-NORTHFIELD.dgn	DRAWN -	REVISED -
PLOT SCALE = 100.0000' / in.	CHECKED -	REVISED -	REVISED -
PLOT DATE = 11/1/2012	DATE = 10/31/2012	REVISED -	REVISED -

STATE OF ILLINOIS
DEPARTMENT OF TRANSPORTATION

SANITARY SEWER DETAILS

SCALE: N.T.S. SHEET NO. 246 OF 919 SHEETS

F.A.P. RTE.	SECTION	COUNTY	TOTAL SHEETS	SHEET NO.
305	(1920.01,1518,2022&1922.4B)R	COOK	919	246
FED. ROAD DIST. NO. 1 ILLINOIS FED. AID PROJECT			CONTRACT NO. 60T35	