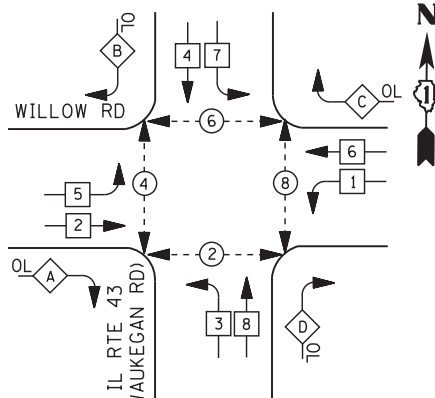


SCHEDULE OF QUANTITIES

QUANTITY	UNIT	ITEM
73.5	SO FT	SIGN PANEL - TYPE 1
30	SO FT	SIGN PANEL - TYPE 2
1	EACH	SERVICE INSTALLATION - GROUND MOUNTED
1818	FOOT	UNDERGROUND CONDUIT, GALVANIZED STEEL, 2" DIA.
89	FOOT	UNDERGROUND CONDUIT, GALVANIZED STEEL, 2 1/2" DIA.
68	FOOT	UNDERGROUND CONDUIT, GALVANIZED STEEL, 3" DIA.
866	FOOT	UNDERGROUND CONDUIT, GALVANIZED STEEL, 4" DIA.
4	EACH	HANDHOLE
4	EACH	HEAVY-DUTY HANDHOLE
4	EACH	DOUBLE HANDHOLE
1	EACH	TRANSCEIVER - FIBER OPTIC
1660	FOOT	ELECTRIC CABLE IN CONDUIT, SIGNAL NO. 14 2C
2780	FOOT	ELECTRIC CABLE IN CONDUIT, SIGNAL NO. 14 3C
3943	FOOT	ELECTRIC CABLE IN CONDUIT, SIGNAL NO. 14 5C
1802	FOOT	ELECTRIC CABLE IN CONDUIT, SIGNAL NO. 14 7C
6328	FOOT	ELECTRIC CABLE IN CONDUIT, LEAD-IN, NO. 14 1 PAIR
80	FOOT	ELECTRIC CABLE IN CONDUIT, SERVICE, NO. 6 2 C
925	FOOT	ELECTRIC CABLE IN CONDUIT, EQUIPMENT GROUNDING CONDUCTOR, NO. 6 1C
4	EACH	TRAFFIC SIGNAL POST, GALVANIZED STEEL 16 FT.
1	EACH	STEEL MAST ARM ASSEMBLY AND POLE 46 FT.
1	EACH	STEEL MAST ARM ASSEMBLY AND POLE 48 FT.
1	EACH	STEEL MAST ARM ASSEMBLY AND POLE 50 FT.
1	EACH	STEEL MAST ARM ASSEMBLY AND POLE 54 FT.
20	FOOT	CONCRETE FOUNDATION, TYPE A
4	FOOT	CONCRETE FOUNDATION, TYPE C
56	FOOT	CONCRETE FOUNDATION, TYPE E 36-INCH DIAMETER
12	EACH	SIGNAL HEAD, LED, 1-FACE, 3-SECTION, MAST-ARM MOUNTED
4	EACH	SIGNAL HEAD, LED, 1-FACE, 5-SECTION, MAST-ARM MOUNTED
4	EACH	SIGNAL HEAD, LED, 2-FACE, 1-3 SECTION, 1-5 SECTION, BRACKET MOUNTED
8	EACH	PEDESTRIAN SIGNAL HEAD, LED, 1-FACE, BRACKET MOUNTED WITH COUNTDOWN TIMER
16	EACH	TRAFFIC SIGNAL BACKPLATE, LOUVERED, ALUMINUM
19	EACH	INDUCTIVE LOOP DETECTOR
936	FOOT	PREFORMED DETECTOR LOOP
* 4	EACH	LIGHT DETECTOR
* 1	EACH	LIGHT DETECTOR AMPLIFIER
8	EACH	PEDESTRIAN PUSH-BUTTON
1	EACH	TEMPORARY TRAFFIC SIGNAL INSTALLATION
1	EACH	REMOVE EXISTING TRAFFIC SIGNAL EQUIPMENT
14	EACH	REMOVE EXISTING HANDHOLE
10	EACH	REMOVE EXISTING CONCRETE FOUNDATION
*1064	FOOT	EMERGENCY VEHICLE PRIORITY SYSTEM LINE SENSOR CABLE, NO 20 3/C
1	EACH	MASTER CONTROLLER (SPECIAL)
1	EACH	FULL-ACTUATED CONTROLLER AND TYPE V CABINET, SPECIAL
1	EACH	UNINTERRUPTABLE POWER SUPPLY, SPECIAL
1	EACH	TEMPORARY TRAFFIC SIGNAL TIMING

* 100% VILLAGE OF NORTHFIELD COST

CONTROLLER SEQUENCE



PHASE DESIGNATION DIAGRAM

LEGEND

- DUAL ENTRY PHASE
- PEDESTRIAN PHASE
- SINGLE ENTRY PHASE
- OVERLAP
- * NUMBER REFERS TO ASSOCIATED PHASE

RIGHT TURN OVERLAP PHASE DESIGNATION

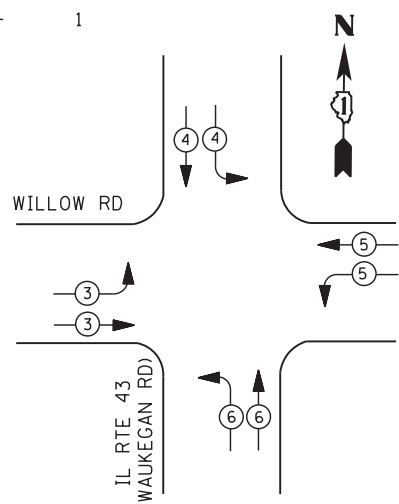
OVERLAP LETTER	PERMISSIVE PHASE	PROTECTED PHASE
A =	2	3
B =	4	5
C =	6	7
D =	8	1

I. D. O. T. TRAFFIC SIGNAL INSTALLATION ELECTRICAL SERVICE REQUIREMENTS					
TYPE	NO. LAMPS	WATTAGE		% OPERATIONS	TOTAL WATTAGE
		INCAND.	LED		
SIGNAL (RED)	24	135	17	0.50	204
(YELLOW)	24	135	25	0.25	150
(GREEN)	24	135	15	0.25	90
ARROW	16	135	12	0.10	19
PED. SIGNAL	8	90	25	1.00	200
CONTROLLER	2	100	100	1.00	200
ILLUM. SIGN		100	90	1.00	
TOTAL =					863

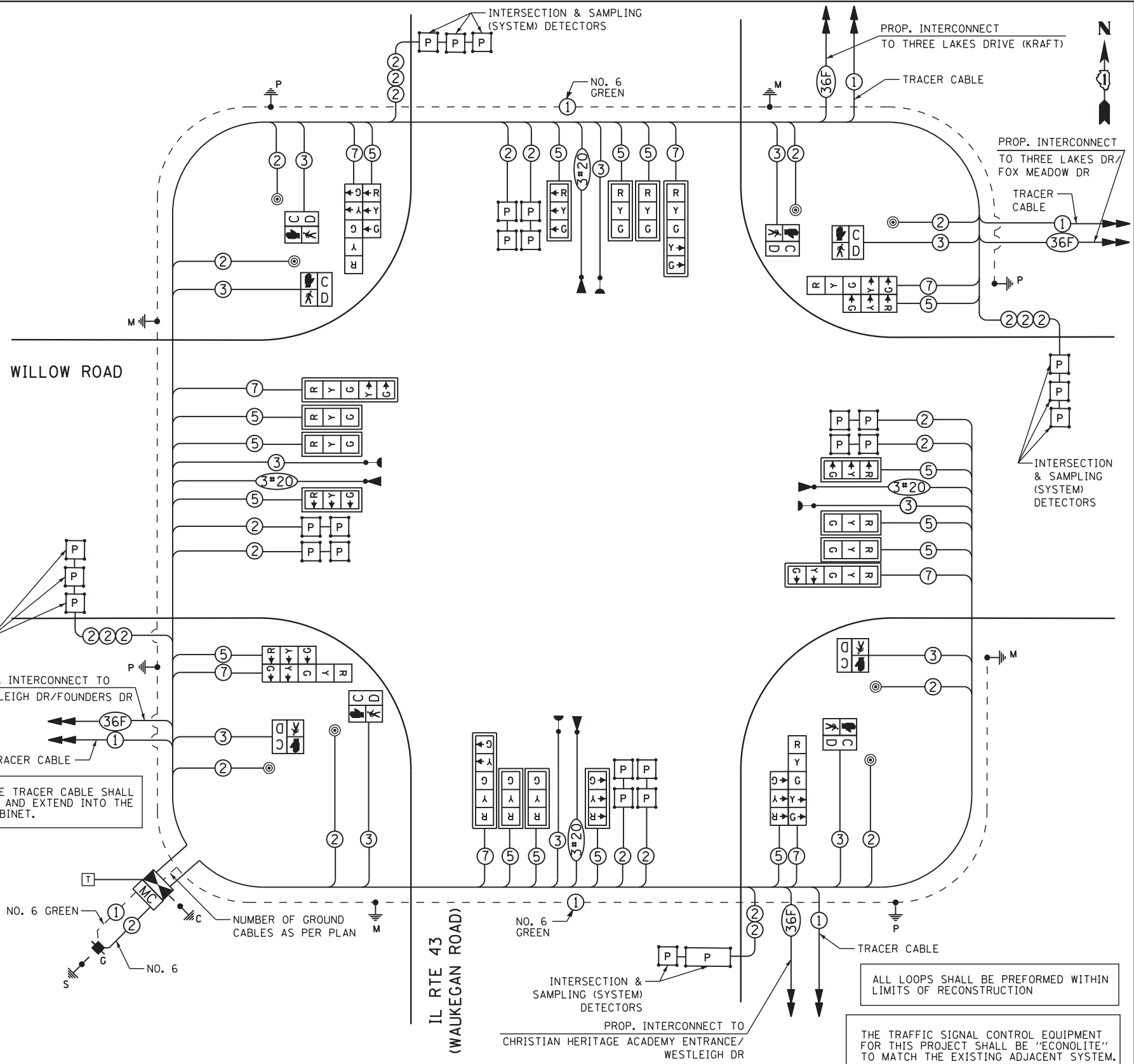
ENERGY COSTS- BILLED TO: IDOT - DISTRICT 1
201 W. CENTER CT.
SCHAUMBURG, IL 60196

ENERGY SUPPLY - CONTACT COMED
PHONE 630-723-2128

EMERGENCY VEHICLE PREEMPTION SEQUENCE



EMERGENCY VEHICLE PREEMPTORS				
EMERGENCY VEHICLE PREEMPTOR	3	4	5	6
MOVEMENT				



CABLE PLAN

RESTORATION OF WORK AREA. RESTORATION OF THE TRAFFIC SIGNAL WORK AREA SHALL BE INCLUDED IN THE RELATED PAY ITEM SUCH AS FOUNDATION, CONDUIT, HANDHOLE, TRENCH AND BACKFILL, ETC., AND NO EXTRA COMPENSATION SHALL BE ALLOWED. ALL ROADWAY SURFACES SUCH AS SHOULDERS, MEDIAN, SIDEWALKS, PAVEMENT ETC. SHALL BE REPLACED IN KIND. ALL DAMAGE TO MOWED LAWNS SHALL BE REPLACED WITH AN APPROVED SOD, AND ALL DAMAGE TO UNMOWED FIELDS SHALL BE SEEDDED IN ACCORDANCE WITH STANDARD SPECIFICATIONS 252 AND 250 RESPECTIVELY.

FILE NAME =	USER NAME = *USER*	DESIGNED - KMM	REVISED -
N:\Projects\312027\Design\CAD\Sheet Files\0160T35\wmlcab43.dgn		DRAWN - CDC	REVISED -
	PLOT SCALE = *SCALE*	CHECKED - JDH	REVISED -
	PLOT DATE = 11/28/2012	DATE - 10/31/2012	REVISED -

STATE OF ILLINOIS
DEPARTMENT OF TRANSPORTATION

CABLE PLAN, SCHEDULE OF QUANTITIES,
PHASE DESIGNATION DIAGRAM & EVP SEQUENCE
WILLOW ROAD AT ILLINOIS ROUTE 43 (WAUKEGAN ROAD)

F.A. RTE.	SECTION	COUNTY	TOTAL SHEETS	SHEET NO.
305	(1920, .01, 1518, 2022 & 1922, 4BR)	COOK	919	366
CONTRACT NO. 60T35				
ILLINOIS FED. AID PROJECT				

TS-18