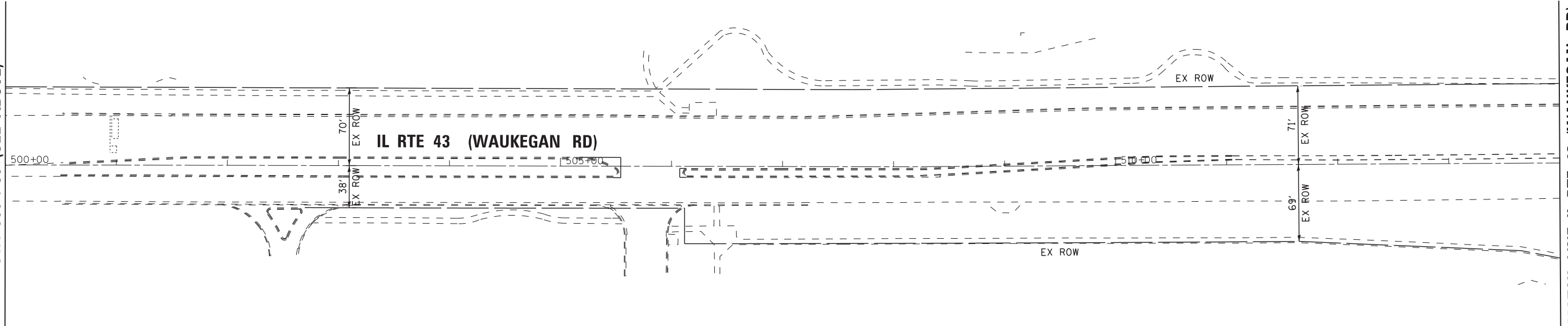
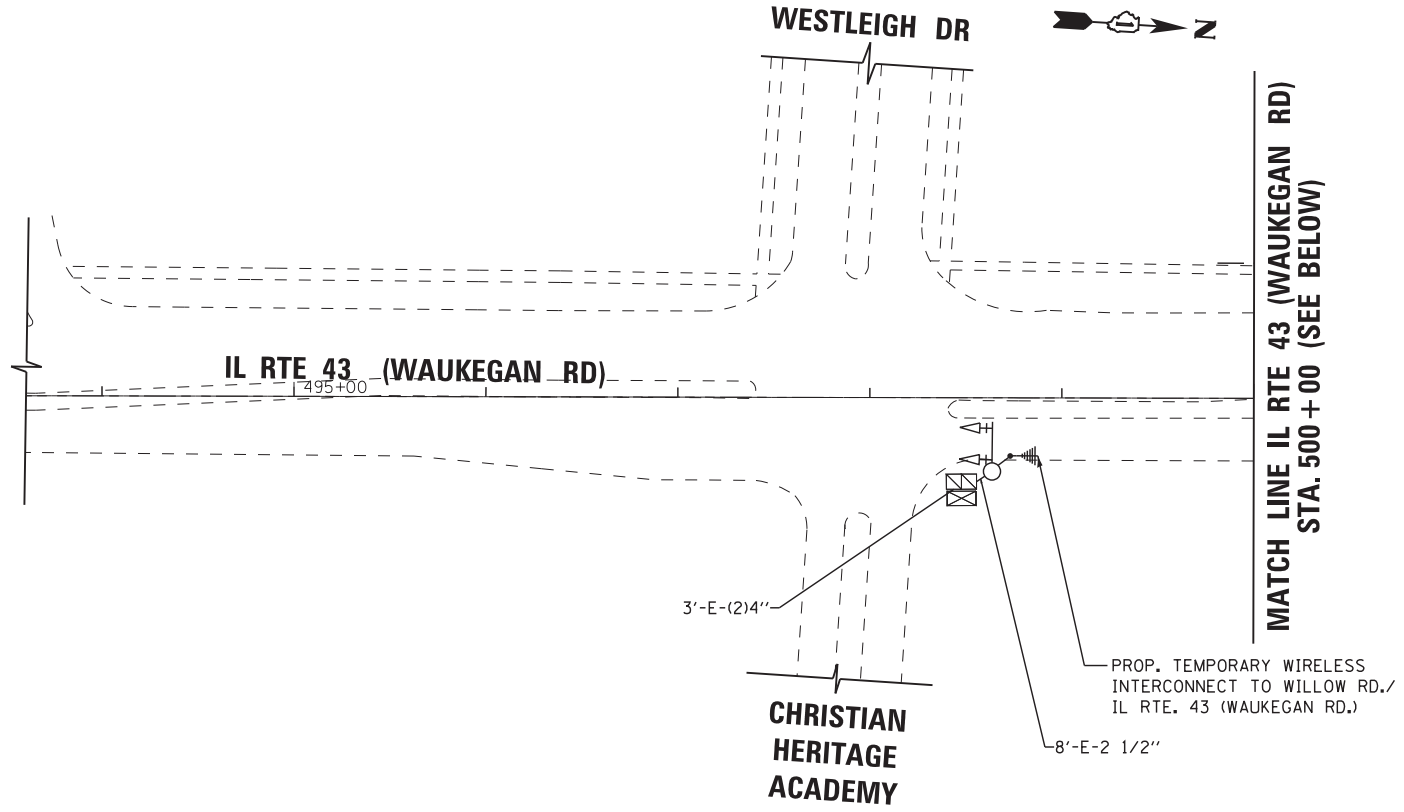


MATCH LINE IL RTE 43 (WAUKEGAN RD)  
 STA. 500 + 00 (SEE ABOVE)



MATCH LINE IL RTE 43 (WAUKEGAN RD)  
 STA. 514 + 00 (SEE TS-58)



THE TEMPORARY TRAFFIC SIGNAL CONTROL EQUIPMENT FOR THIS PROJECT SHALL BE "ECONOLITE" TO MATCH THE EXISTING ADJACENT SYSTEM.

TS-60

FILE NAME =	USER NAME = \$USER\$	DESIGNED -	KMM	REVISED -	
N:\Projects\312027\DesignCAD\Sheet Files	D160T35r\w\l\temp\int-3.dgn	DRAWN -	CDC	REVISED -	
	PLOT SCALE = \$SCALE\$	CHECKED -	JDH	REVISED -	
	PLOT DATE = 10/30/2012	DATE -	10/31/2012	REVISED -	

STATE OF ILLINOIS  
 DEPARTMENT OF TRANSPORTATION

TEMPORARY WIRELESS INTERCONNECT PLAN  
 IL RTE 43 (WAUKEGAN RD)  
 (CHRISTIAN HERITAGE ACADEMY TO THREE LAKES DR)

SCALE: 1"=50' SHEET NO. 3 OF 3 SHEETS STA. 493+60 TO STA. 514+00

F.A. RTE.	SECTION	COUNTY	TOTAL SHEETS	SHEET NO.
305	(1920, 01, 1518, 2022 & 1922, 4BIR)	COOK	919	408
				CONTRACT NO. 60T35
ILLINOIS FED. AID PROJECT				