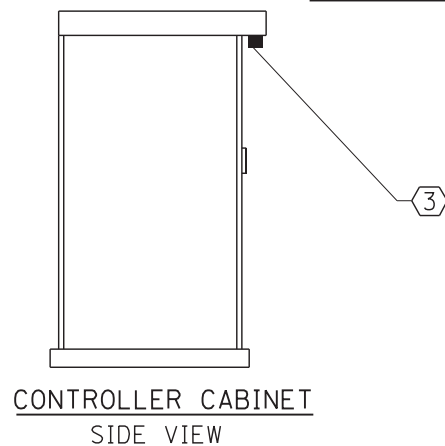


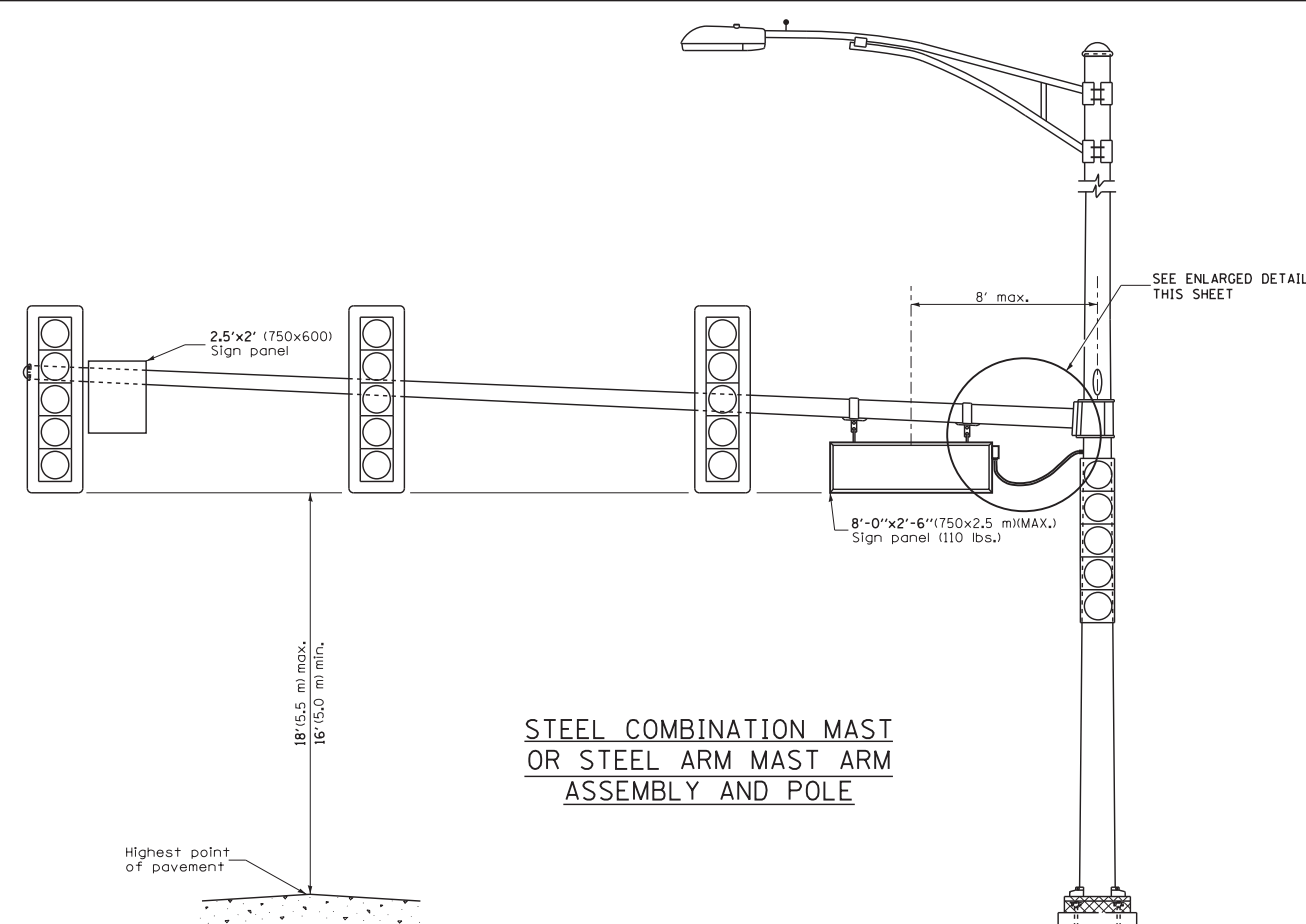
LED SIGN WIRING DETAIL

DESCRIPTION	MANUFACTURER	MODEL	NOTES
① CIRCUIT BREAKER		15 AMPERE	Molded case, Thermal Mag. min. R.I. of 14K R.M.S. symmetrical ampere at 277V.
② TERMINAL BLOCK	MARATHON	1502 DJSV	
③ PHOTO ELECTRIC CONTROL	FISHER PIERCE	B124-1.5-07762	
④ CONTROL RELAY	SQUARE D	8501X020V02	BOLT ON W/SCREW TERMINAL
⑤ INLINE FUSE HOLDER WITH 5 AMP FUSE	BUSSMAN	S-8000 BK/S-8-3-4-R	
⑥ ELECTRIC CABLE, NO. 14, 3/C, TYPE SOOW (BLACK, WHITE, GREEN)	CAROLPRENE/SOOW	02762	
⑦ SIGN MOUNTING HARDWARE	PELCO	SE-5015	S.S. HARDWARE

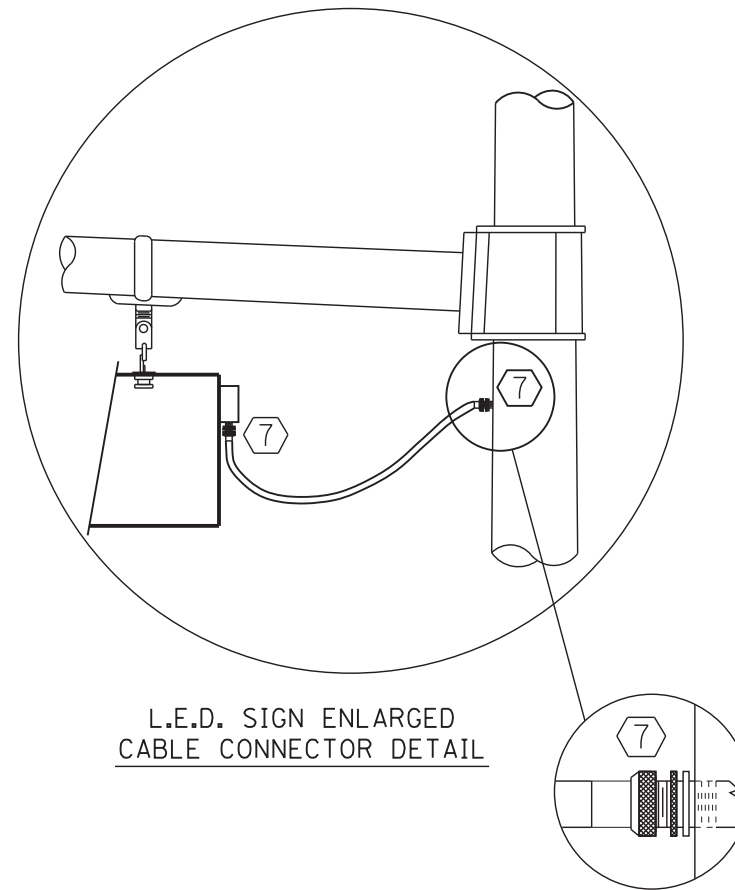
BILL OF MATERIALS



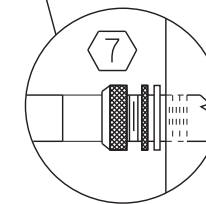
CONTROLLER CABINET SIDE VIEW



STEEL COMBINATION MAST OR STEEL ARM MAST ARM ASSEMBLY AND POLE



L.E.D. SIGN ENLARGED CABLE CONNECTOR DETAIL



L.E.D. SIGN ENLARGED CABLE CONNECTOR DETAIL



LED ILLUMINATED SIGN PANEL

8'0" x 2'6" (750 mm x 2.5 mm)(MAX)
 C or D FONT

NOTES:

- SIGNS SHALL BE DUAL SIDED. FRONT AND BACK OF SIGN WILL BE THE SAME.
- SIGNS SHALL NOT BE ENERGIZED WHEN TRAFFIC SIGNALS ARE POWERED BY THE UPS. THE SIGNS SHALL BE CONNECTED TO THE UPS BYPASS CIRCUITRY.
- ALL WIRING WITHIN THE CABINET SHALL BE COLOR CODED AS INDICATED:
 R = RED BL = BLUE W = WHITE
 B = BLACK Y = YELLOW G = GREEN
- ALL 120 VOLT SYSTEM AND ALL CONTROL WIRING SHALL BE #12AWG STRANDED UNLESS OTHERWISE INDICATED.
- ALL WIRING SHALL BE NEATLY DRESSED AND SUPPORTED.
- ALL STREET NAME SIGNS WILL BE ILLUMINATED EXCEPT THE SIGNS AT THE WILLOW ROAD AT IL RTE 43 INTERSECTION.