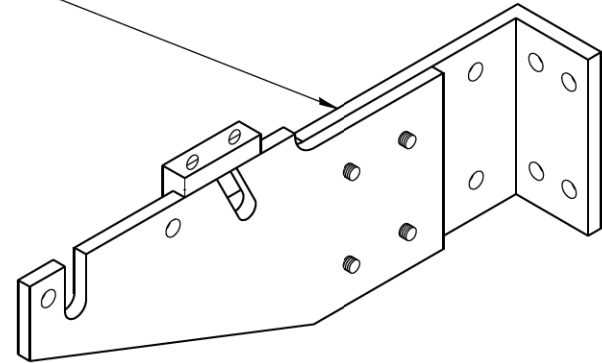
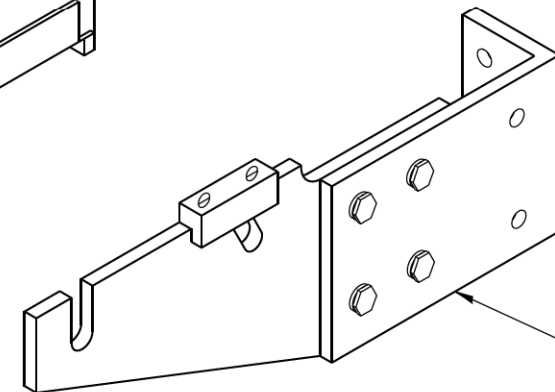
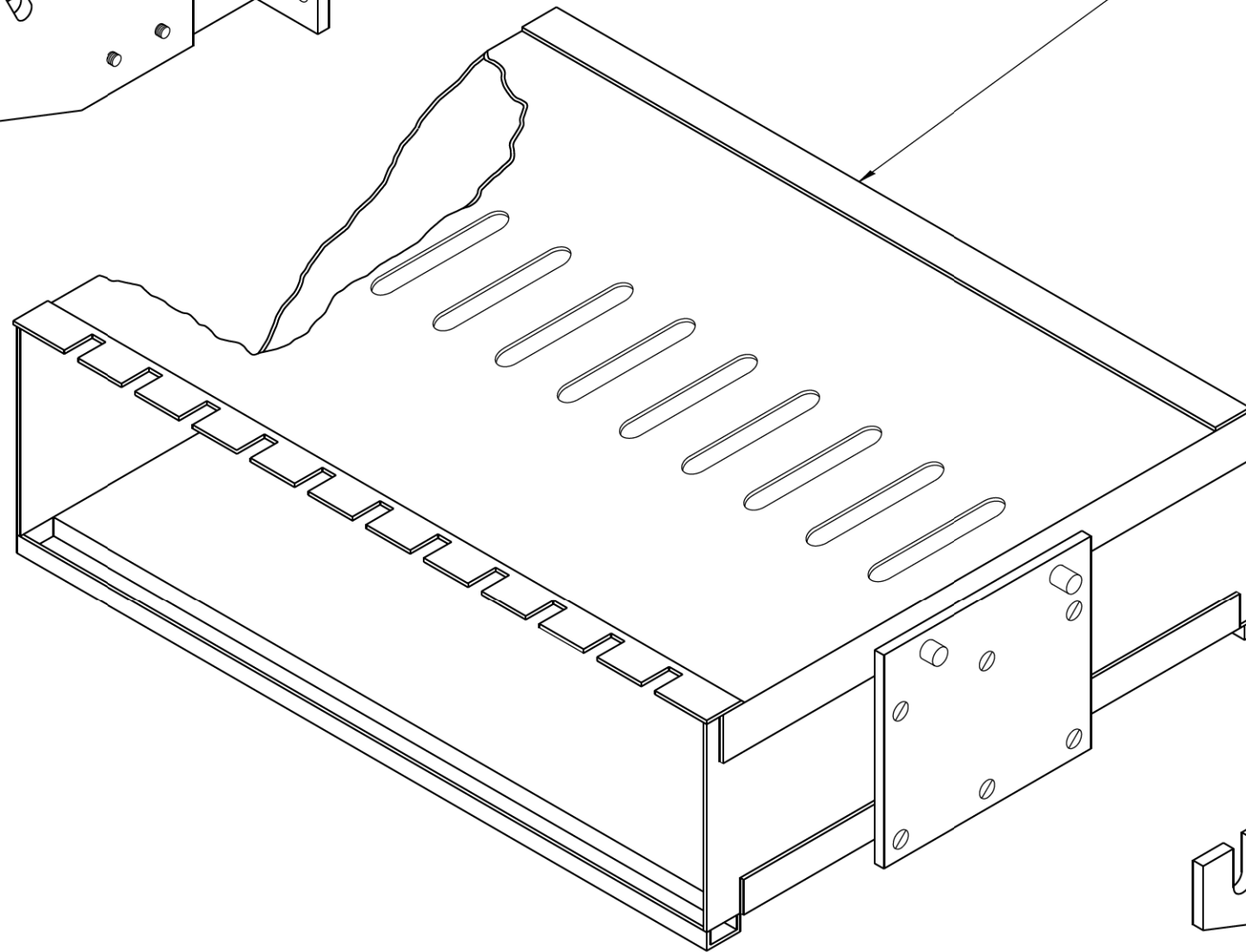


CRADLE



II MODULE MOUNTING FRAME  
(FOR II TYPE "A" PLUG-IN TYPE TONE MODULES)



CRADLE

**NOTE:**

TYPE "A" TONE MODULES ARE PLUG  
IN UNIT MEASURING 5-7/32" (132.55 mm) X 1.5" (38.1 mm) X 13-3/4" (349.25 mm)

FILE NAME = c:\pwork\paxdot\mezag\0287541\TSCYF.dgn	USER NAME = mezag	DESIGNED - R.L.	REVISED - 06/94	<b>STATE OF ILLINOIS DEPARTMENT OF TRANSPORTATION TRAFFIC SYSTEMS CENTER</b>	<b>FIELD MOUNTING FRAME WITH CRADLE ASSEMBLY</b>			F.A. RTE.	SECTION	COUNTY	TOTAL SHEETS	SHEET NO.			
	PLOT SCALE = 100.0000' / in.	CHECKED - R.L.	REVISED - 09/96					SCALE: NONE			CONTRACT NO.				
	PLOT DATE = 7/6/2012	DATE - 06/21/94	REVISED -					SHEET NO.	OF	SHEETS	STA.	TO STA.	FED. ROAD DIST. NO. ILLINOIS FED. AID PROJECT		
<b>TRAFFIC SYSTEMS CENTER (TY-1TSC-400#6)</b>															

FILE NAME = G:\CH11\0158\Road\Sheets\DI60T35-SHT-LOOP-03.dgn	USER NAME = BAWtor.t	DESIGNED - JLV	REVISED -	<b>STATE OF ILLINOIS DEPARTMENT OF TRANSPORTATION</b>	<b>DETECTOR LOOP DETAILS</b>			F.A.P. RTE.	SECTION	COUNTY	TOTAL SHEETS	SHEET NO.			
	PLOT SCALE = 40.0000' / in.	CHECKED - RCB	REVISED -					SCALE: N.T.S			CONTRACT NO. 60T35				
	PLOT DATE = 11/1/2012	DATE - 10/31/2012	REVISED -					SHEET NO.	OF	SHEETS	FED. ROAD DIST. NO. 1 ILLINOIS FED. AID PROJECT				
<b>TRAFFIC SYSTEMS CENTER (TY-1TSC-400#6)</b>															