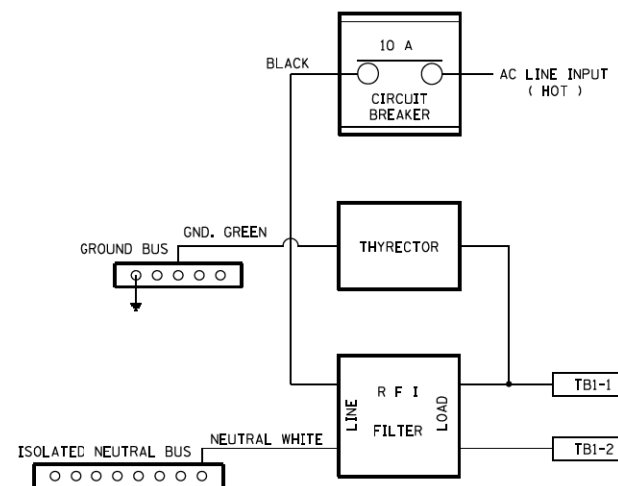
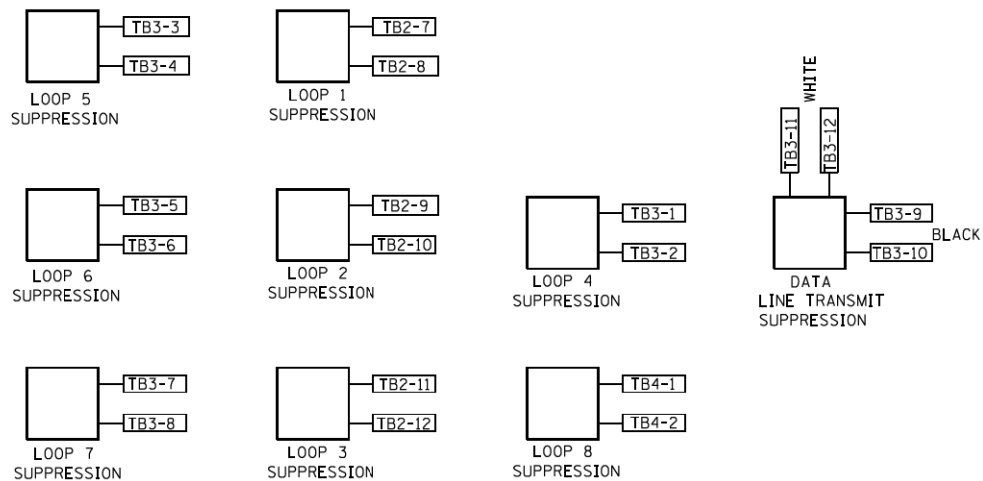
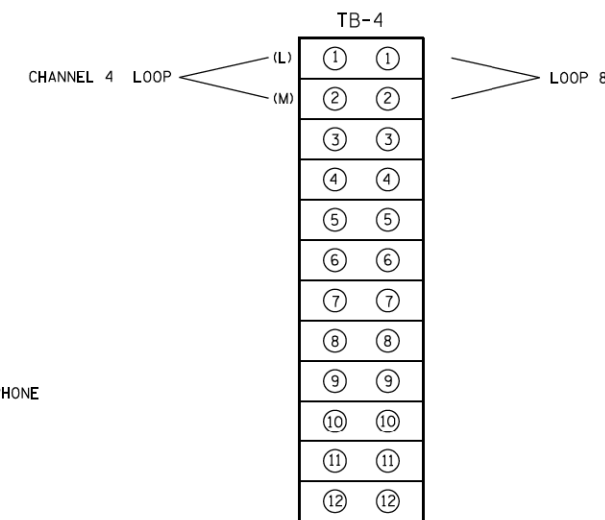
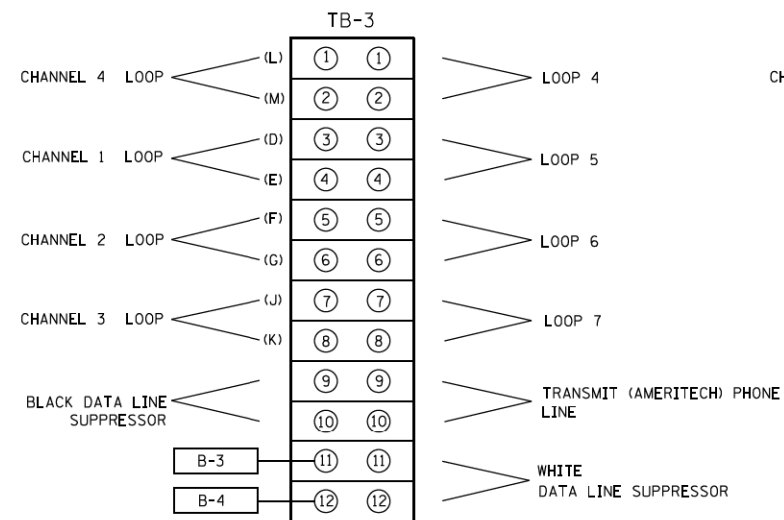
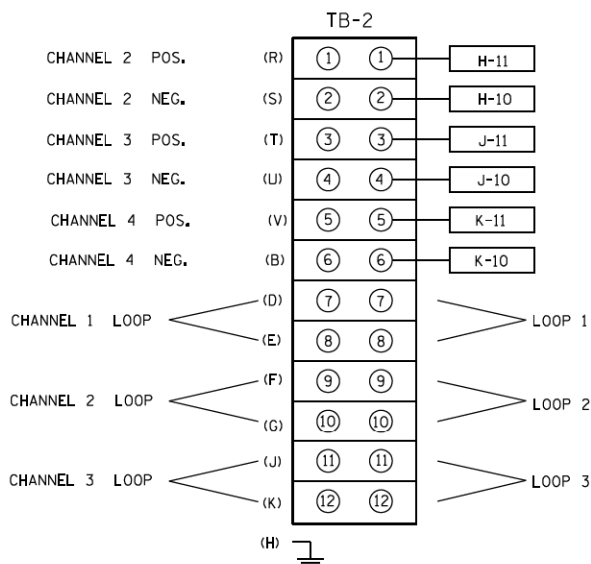
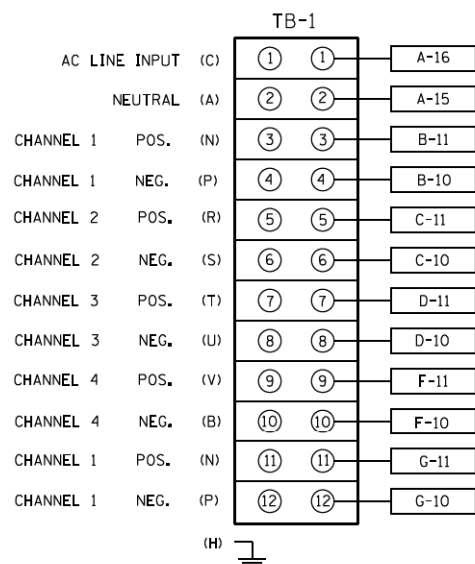
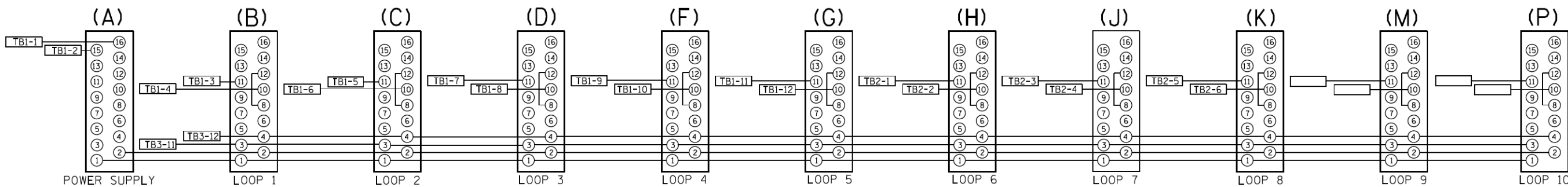


BACK VIEW OF TONE RACK



FILE NAME =	USER NAME = mezag	DESIGNED - RL	REVISED - 02-98
ca\pwork\pdsdot\mezag\0287541\TSCTYF.dgn		DRAWN - Gw	REVISED - 05-99
		CHECKED - RL	REVISED -
PLOT SCALE = 100.0000' / in.		DATE - 10-17-95	REVISED -
PLOT DATE = 7/6/2012			

STATE OF ILLINOIS
DEPARTMENT OF TRANSPORTATION
TRAFFIC SYSTEMS CENTER

TYPE 3 CABINET
WIRING DIAGRAM

SCALE: NONE SHEET NO. OF SHEETS STA. TO STA.

F.A.P. RTE.	SECTION	COUNTY	TOTAL SHEETS	SHEET NO.
CONTRACT NO.				

TRAFFIC SYSTEMS CENTER (TY-1TSC-400#13)

FILE NAME =	USER NAME = BAWtor	DESIGNED - JLV	REVISED -
G:\CH11\0158\Road\Sheets\0160T35-SHT-LOOP-06.dgn		DRAWN - MNB	REVISED -
		CHECKED - RCB	REVISED -
PLOT SCALE = 40.0000' / in.		DATE - 10/31/2012	REVISED -
PLOT DATE = 11/1/2012			

STATE OF ILLINOIS
DEPARTMENT OF TRANSPORTATION

DETECTOR LOOP DETAILS

SCALE: N.T.S SHEET NO. 444 OF 919 SHEETS

F.A.P. RTE.	SECTION	COUNTY	TOTAL SHEETS	SHEET NO.
305	(1920.01,1518,2022&1922.4B)R	COOK	919	444
CONTRACT NO. 60T35				
FED. ROAD DIST. NO. 1 ILLINOIS FED. AID PROJECT				