

12/5/2012 5:46:12 PM - G:\CHIN\0158\Bridges\CADD\Sheets\0162844-D160135-12-SUPDET3.dgn

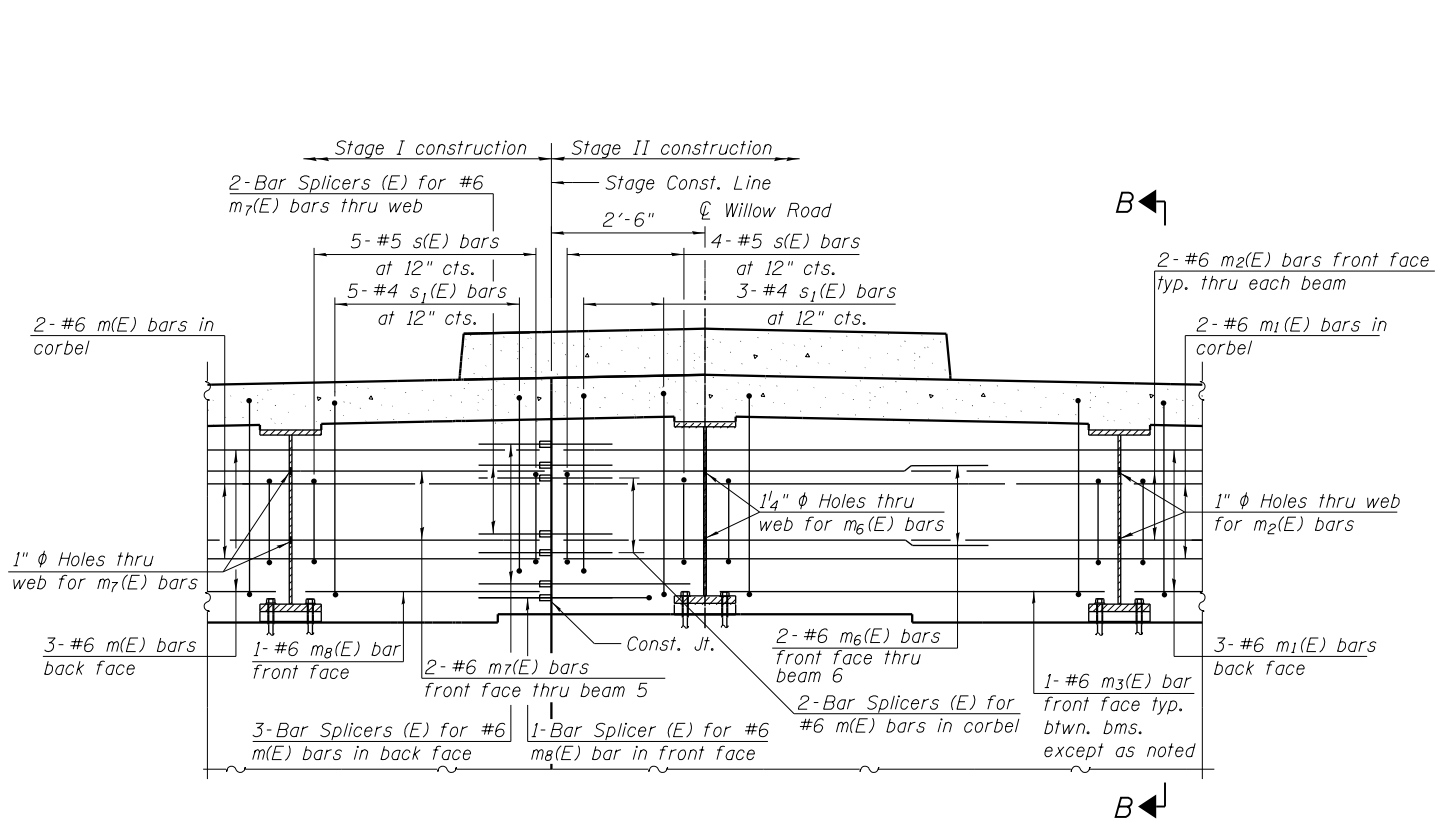


USER NAME = jrmickow	DESIGNED - JRM	REVISED -
PLOT SCALE = 2 1/8" = 1'	CHECKED - MDS	REVISED -
PLOT DATE = 12/5/2012	DRAWN - DMG	REVISED -
	CHECKED - MDS	REVISED -

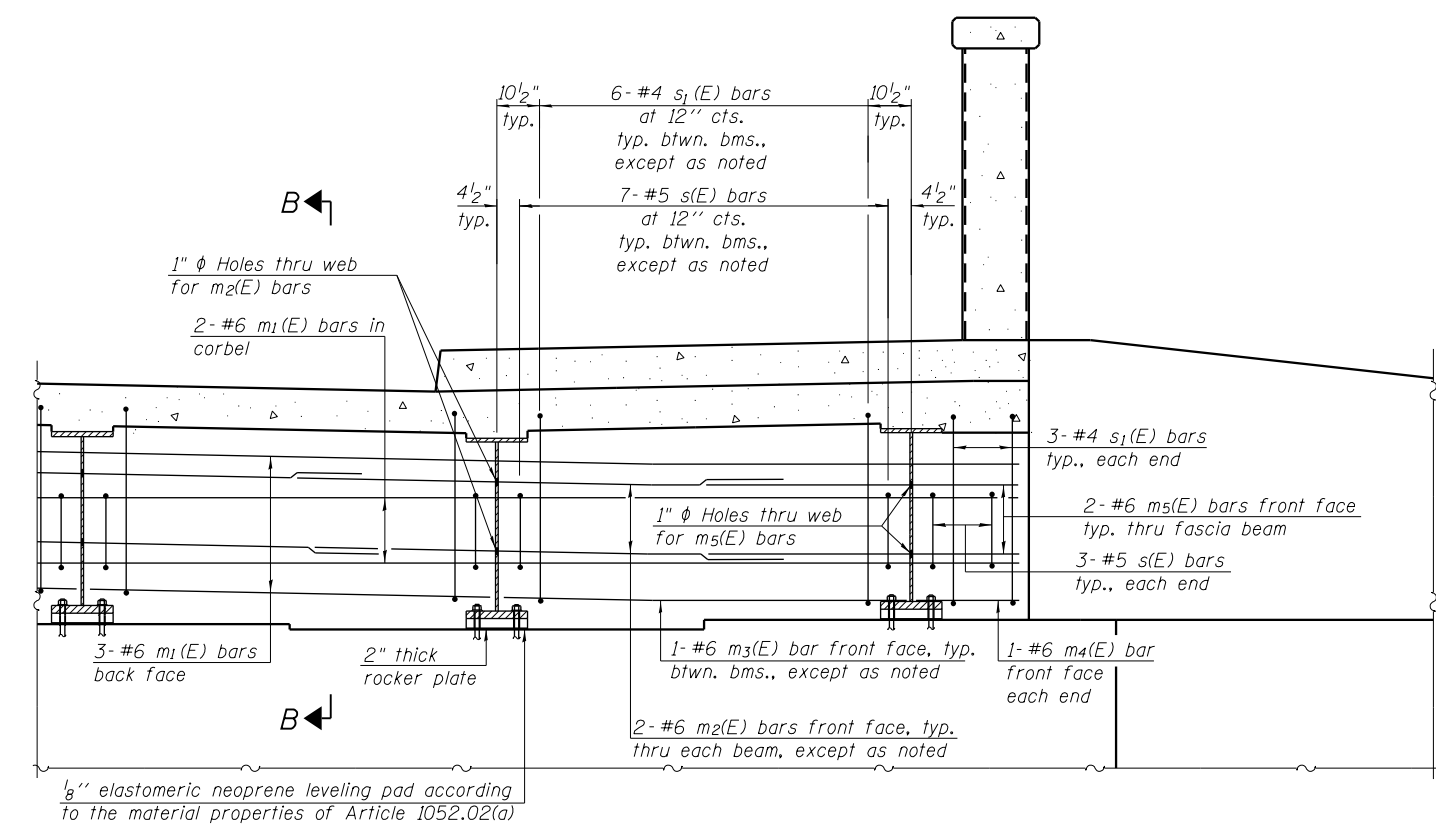
STATE OF ILLINOIS
DEPARTMENT OF TRANSPORTATION

INTEGRAL ABUTMENT DIAPHRAGM DETAILS
STRUCTURE NO. 016-2844

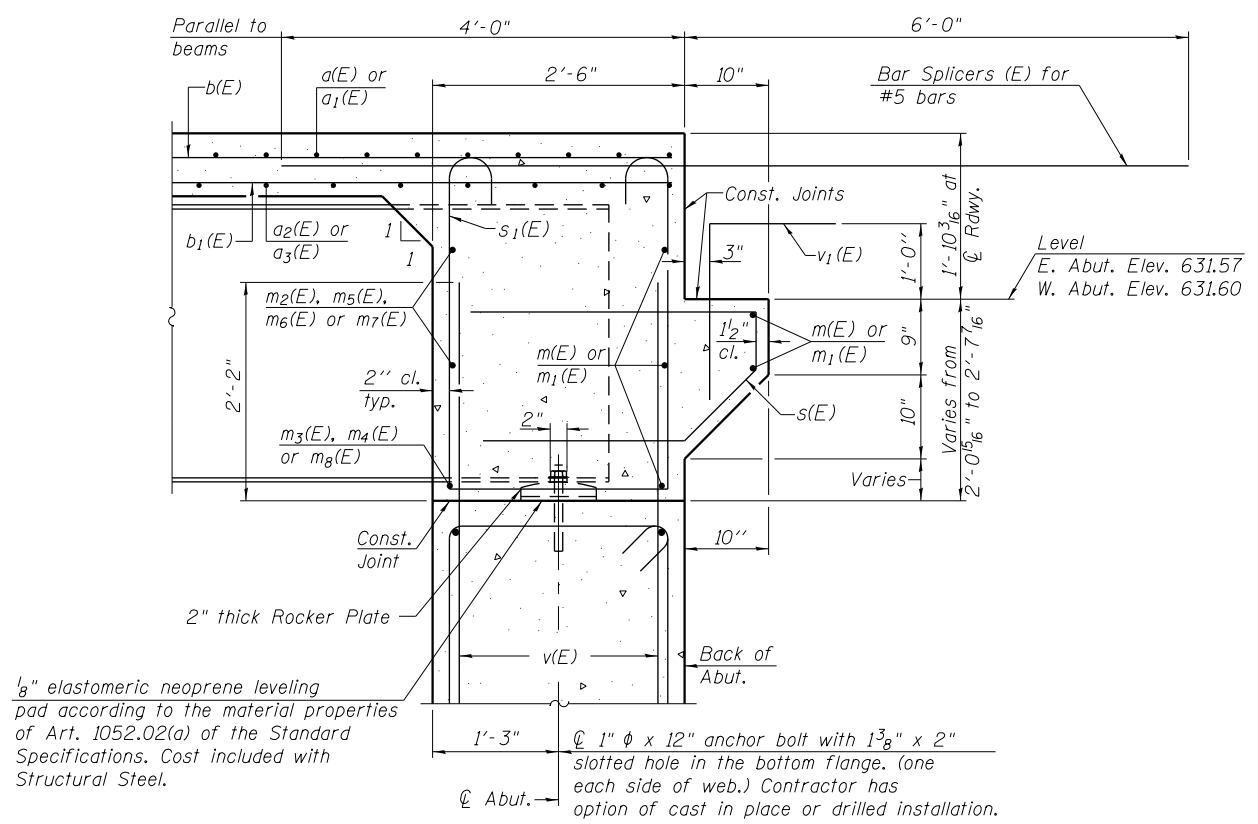
F.A.P. RTE.	SECTION	COUNTY	TOTAL SHEETS	SHEET NO.
0305	(1920.01,1518,2022&1922.4B)R	COOK	919	462
ILLINOIS FED. AID PROJECT			CONTRACT NO. 60T35	



DIAPHRAGM ELEVATION AT STAGE CONSTRUCTION LINE
(Looking at front face of East Abutment, West Abutment opposite hand)



DIAPHRAGM ELEVATION AT EAST ABUTMENT
(Looking at front face of East Abutment, West Abutment opposite hand)



SECTION B-B
(At East Abutment, West Abutment Similar)

MIN. BAR LAP
#5 bar = 3'-3"
#6 bar = 3'-10"

Notes:
Reinforcement bars in diaphragm are billed with superstructure on sheet 11 of 30.
Concrete in diaphragm is included with Concrete Superstructure on sheet 11 of 30.
For details of bars s(E), s1(E) & v1(E) see sheet 11 of 30.
The s(E) & s1(E) bars shall be placed parallel to the beams. Spacing for these bars shall be at right angles to the beams.