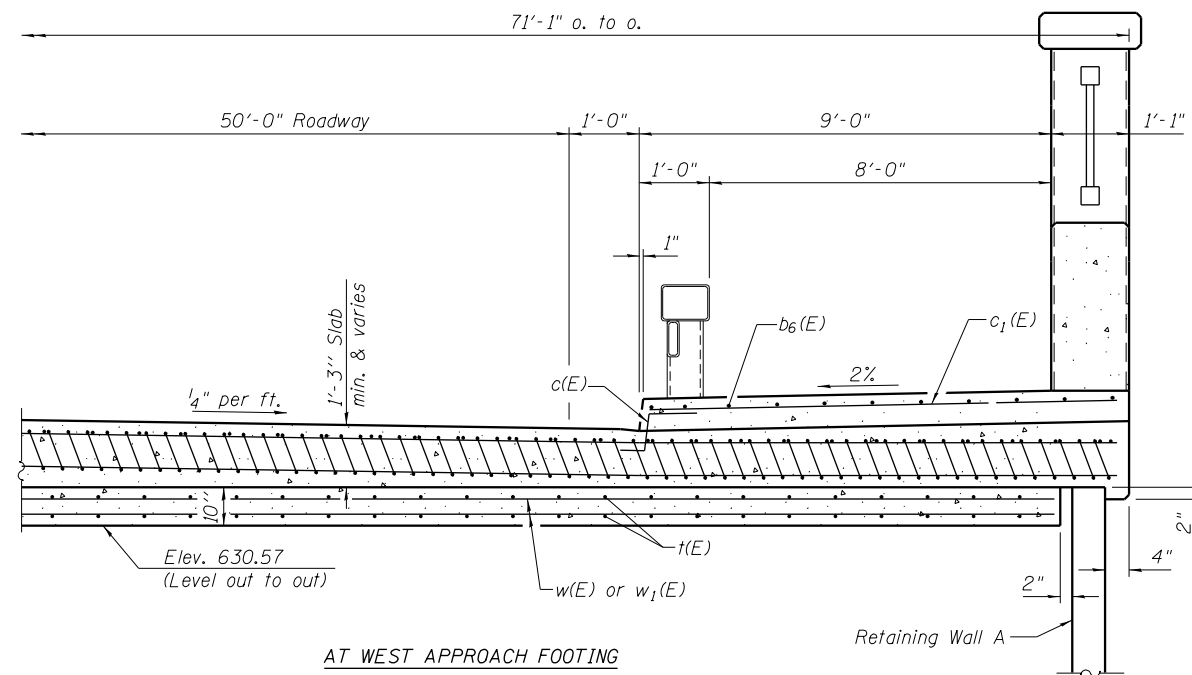
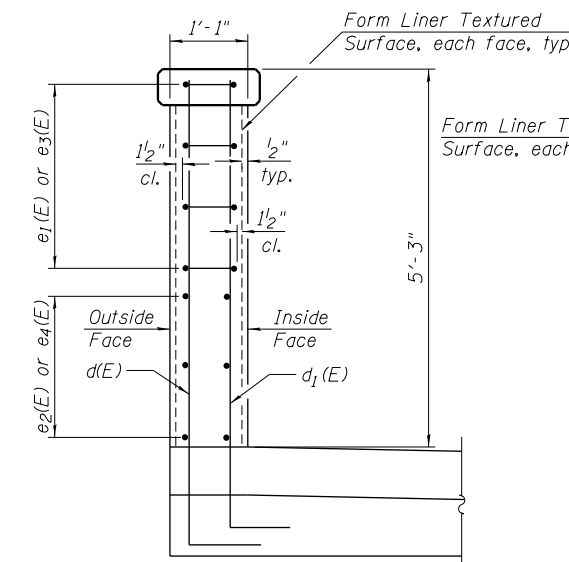


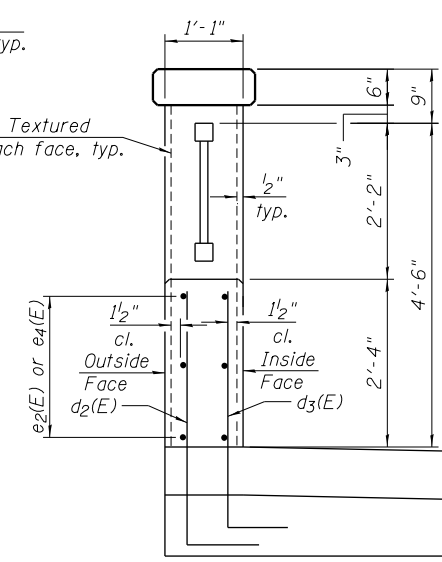
TWO APPROACHES
BILL OF MATERIAL



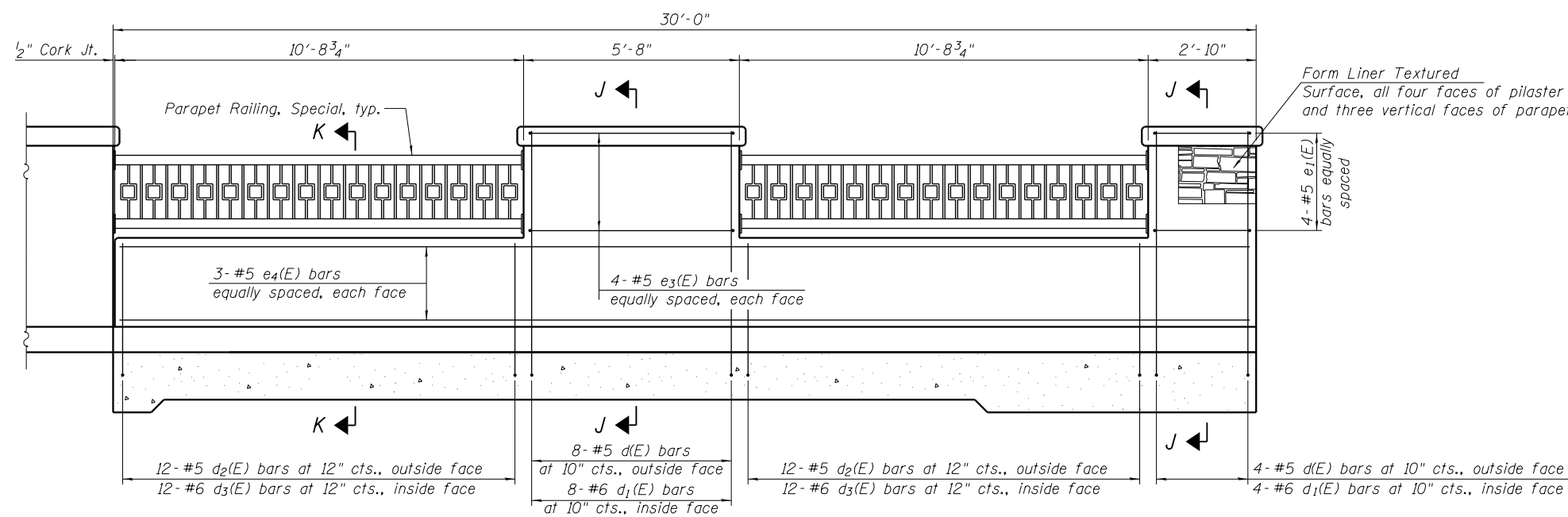
SECTION H-H



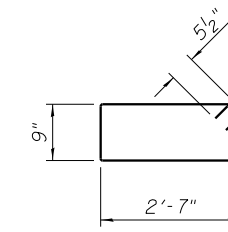
SECTION J-J



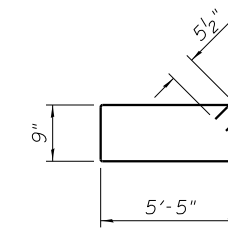
SECTION K-K



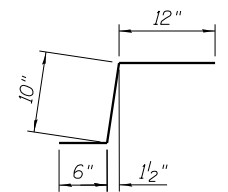
VIEW G-G



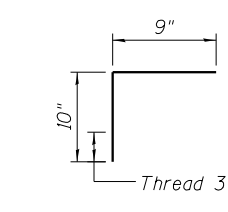
BAR e1(E)



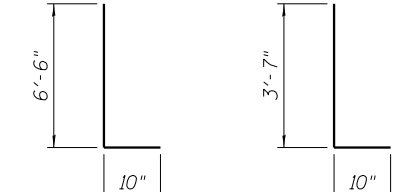
BAR e3(E)



BAR c(E)

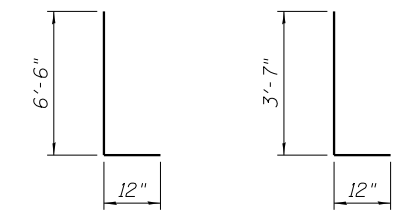


BAR c3(E)



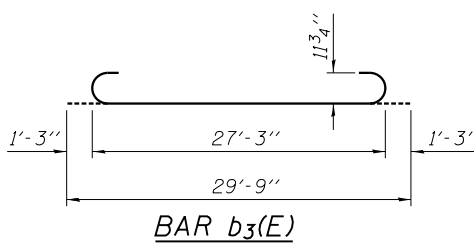
BAR d(E)

BAR d2(E)

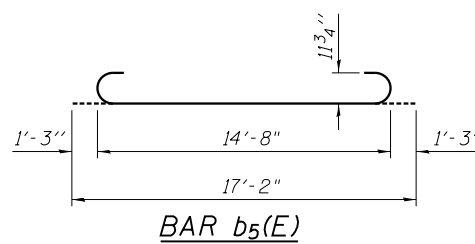


BAR d1(E)

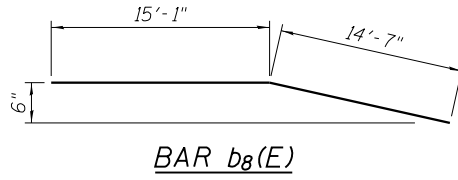
BAR d3(E)



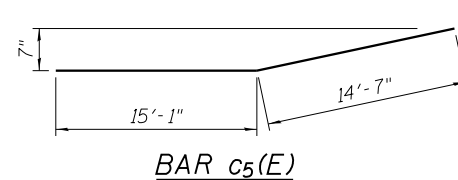
BAR b3(E)



BAR b5(E)



BAR b8(E)



BAR c5(E)

Notes:
All steel railing elements shall be galvanized according to the special provision Parapet Railing, Special and Article 1006.34 of the Standard Specifications.
The color of the final finish for the steel railing shall be verde green.

Bar	No.	Size	Length	Shape
a5(E)	24	#4	32'-2"	—
a6(E)	26	#4	33'-3"	—
a7(E)	46	#5	32'-2"	—
a8(E)	46	#5	33'-3"	—
a9(E)	38	#4	38'-3"	—
a10(E)	69	#5	38'-3"	—
a11(E)	12	#4	37'-2"	—
a12(E)	23	#5	37'-2"	—
b2(E)	117	#4	29'-8"	—
b3(E)	342	#9	29'-9"	—
b4(E)	6	#4	14'-8"	—
b5(E)	9	#9	17'-2"	—
b6(E)	57	#5	29'-8"	—
b7(E)	3	#5	14'-8"	—
b8(E)	1	#5	29'-8"	—
c(E)	124	#5	2'-4"	—
c1(E)	79	#5	9'-9"	—
c2(E)	62	#5	7'-8"	—
c3(E)	124	#5	1'-7"	—
c4(E)	45	#5	8'-8"	—
c5(E)	1	#5	29'-8"	—
d(E)	36	#5	7'-4"	L
d1(E)	36	#6	7'-6"	L
d2(E)	54	#5	4'-5"	L
d3(E)	54	#6	4'-7"	L
e1(E)	4	#5	7'-7"	—
e2(E)	18	#5	14'-8"	—
e3(E)	16	#5	13'-3"	—
e4(E)	6	#5	29'-8"	—
t(E)	290	#4	9'-8"	—
w(E)	80	#5	32'-2"	—
w1(E)	40	#5	37'-3"	—
w2(E)	40	#5	37'-2"	—
Concrete Structures			Cu. Yd.	43.2
Concrete Superstructure			Cu. Yd.	212.0
Bridge Deck Grooving			Sq. Yd.	294
Form Liner Textured Surface			Sq. Ft.	515
Protective Coat			Sq. Yd.	523
Reinforcement Bars, Epoxy Coated			Pound	60,420
Parapet Railing, Special			Foot	50

12/5/2012 5:46:14 PM - G:\CHIN\058\Bridges\CADD\Sheets\0162844-0160135-15-APDET3.dgn



USER NAME = jrmickow	DESIGNED - JRM	REVISIONS -
PLOT SCALE = 8/0 1' = 1/4"	CHECKED - MDS	REVISIONS -
PLOT DATE = 12/5/2012	DRAWN - JDG	REVISIONS -
	CHECKED - MDS	REVISIONS -

STATE OF ILLINOIS
DEPARTMENT OF TRANSPORTATION

BRIDGE APPROACH SLAB DETAILS - SOUTHWEST CORNER
STRUCTURE NO. 016-2844

SHEET NO. 15 OF 30 SHEETS

F.A.P. RTE.	SECTION	COUNTY	TOTAL SHEETS	SHEET NO.
0305	(1920.01,1518,2022&1922.4BIR	COOK	919	465
CONTRACT NO. 60T35			ILLINOIS FED. AID PROJECT	