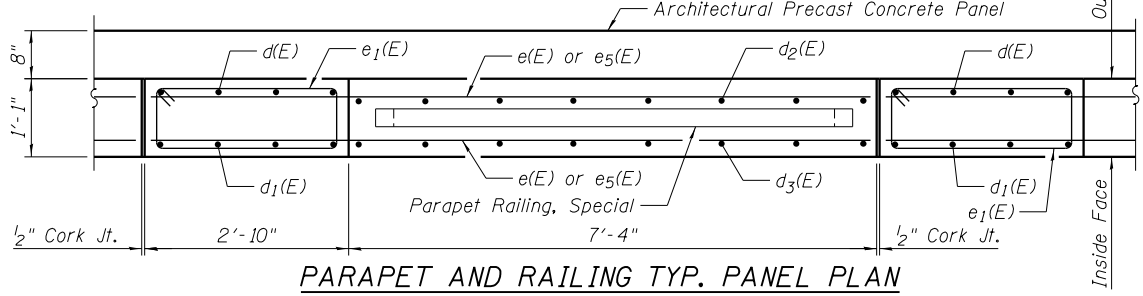
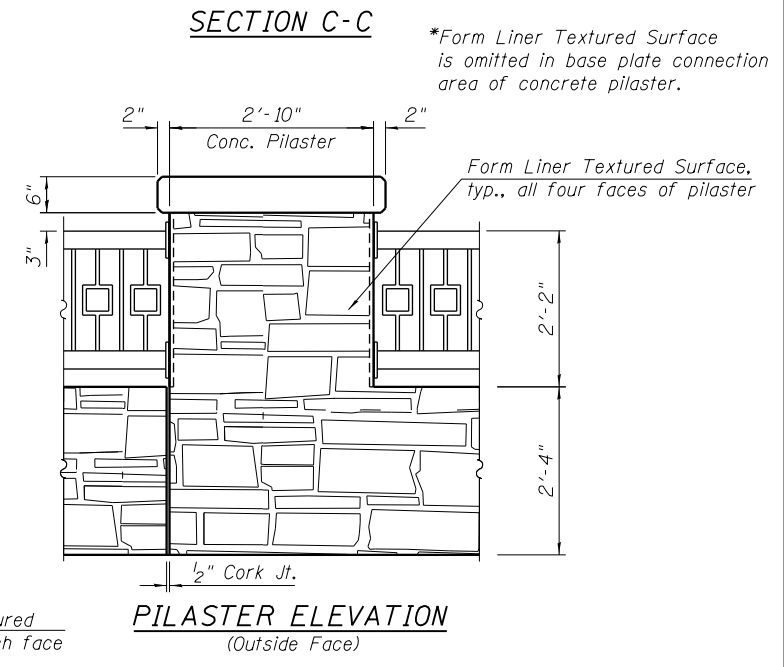
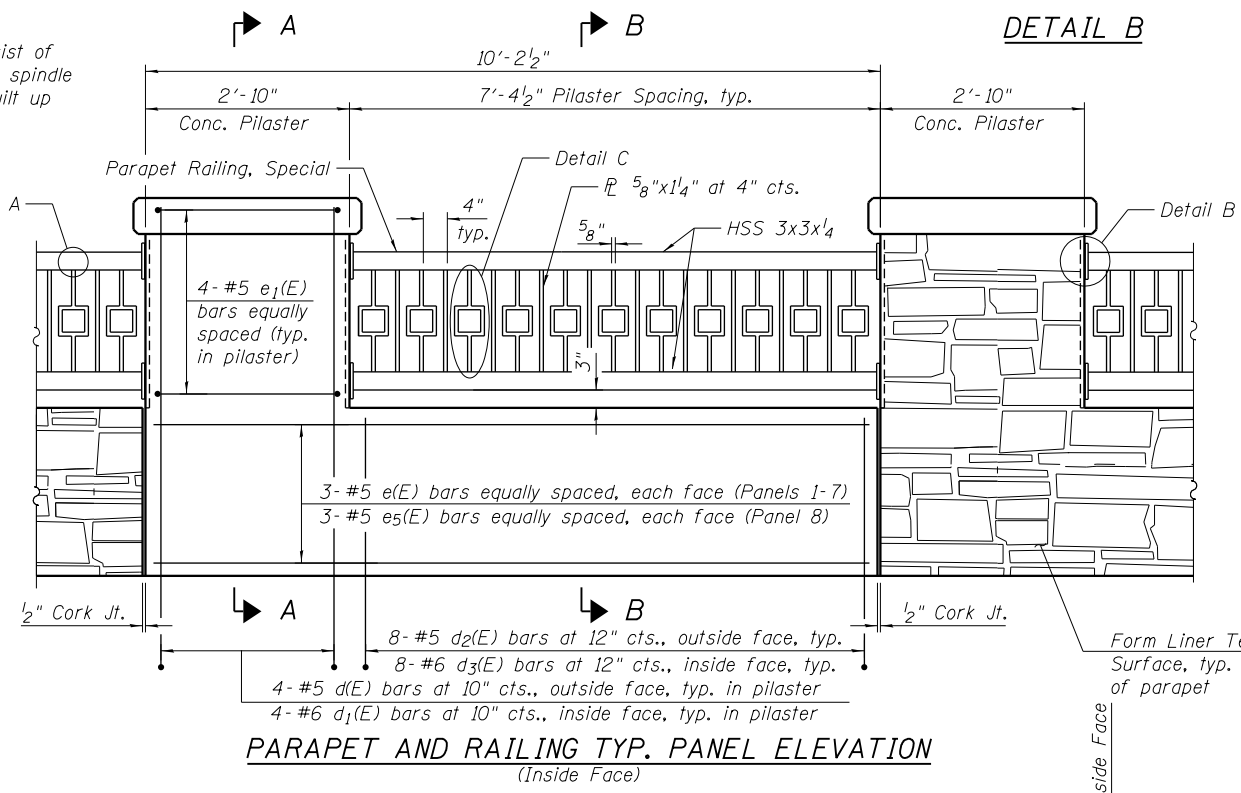
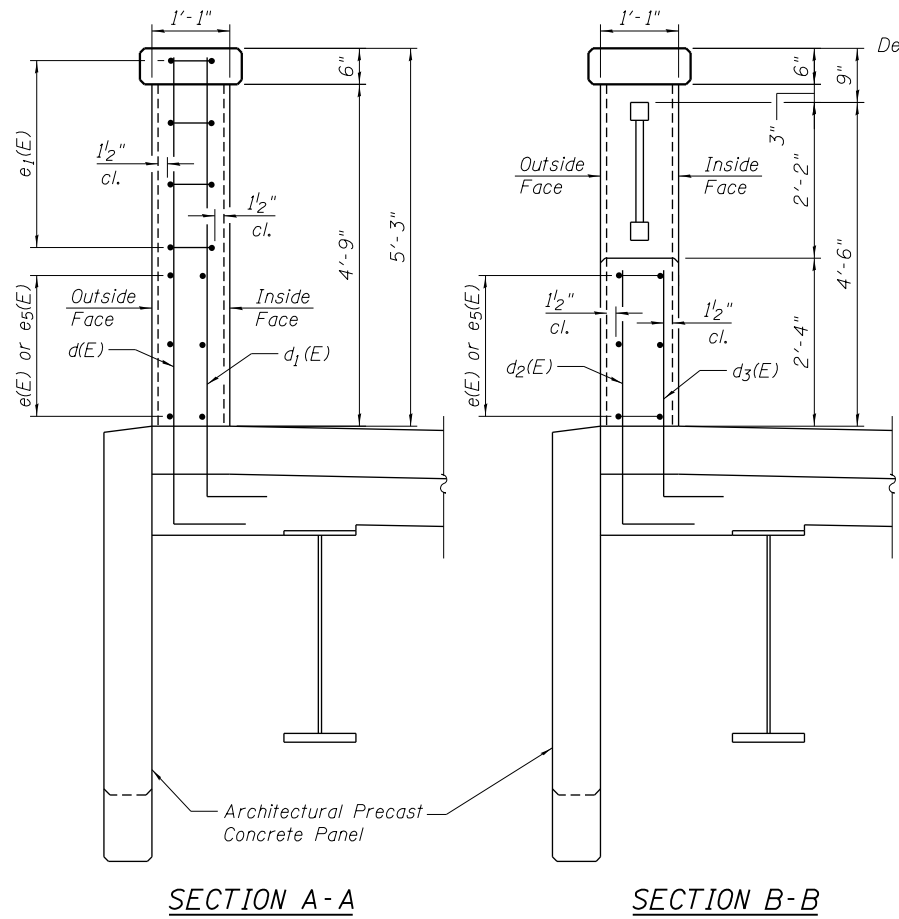


Note:
The steel spindle shall consist of continuous solid steel. The steel spindle shall not be constructed using built up welded steel plates.



Notes:
All steel railing elements shall be galvanized according to the special provision Parapet Railing, Special and Article 1006.34 of the Standard Specifications.
The color of the final finish for the Parapet Railing, Special shall be Verde Green (See Special Provisions).
See sheet 11 of 30 for Bill of Material and reinforcement bending diagrams.
Form liner textures or patterns of any shape and length shall be inset into the face of the parapet up to 1/2" deep and 1" wide.

12/5/2012 5:46:05 PM - G:\CHIN\0158\Bridges\CADD\Sheets\0162844-D160135-16-RAIL.dgn



USER NAME = jrmickow	DESIGNED - JRM	REVISED -
PLOT SCALE = 8/0 1' = 1/4"	CHECKED - MDS	REVISED -
PLOT DATE = 12/5/2012	DRAWN - DMG	REVISED -
	CHECKED - MDS	REVISED -

STATE OF ILLINOIS
DEPARTMENT OF TRANSPORTATION

CONCRETE BRIDGE RAILING
STRUCTURE NO. 016-2844

SHEET NO. 16 OF 30 SHEETS

F.A.P. RTE.	SECTION	COUNTY	TOTAL SHEETS	SHEET NO.
0305	(1920.01.1518.2022&1922.4BIR	COOK	919	466
CONTRACT NO. 60T35				

ILLINOIS FED. AID PROJECT