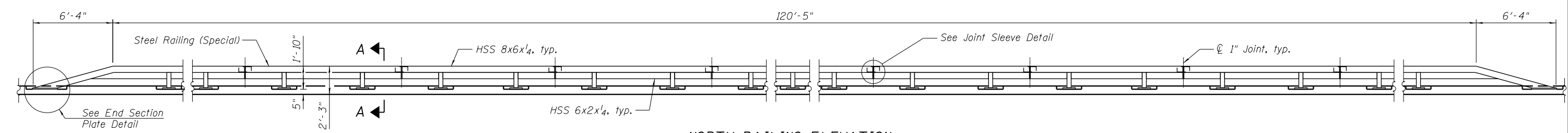
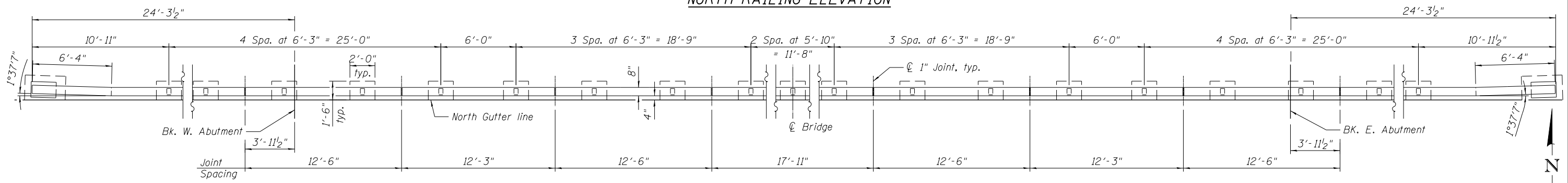


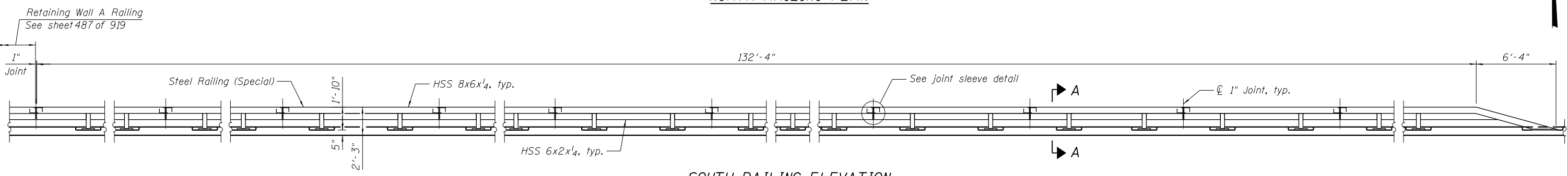
12/5/2012 5:46:16 PM - G:\CHIN\058\Bridges\CADD\Sheets\0162844-D160135-17-RAIL2.dgn



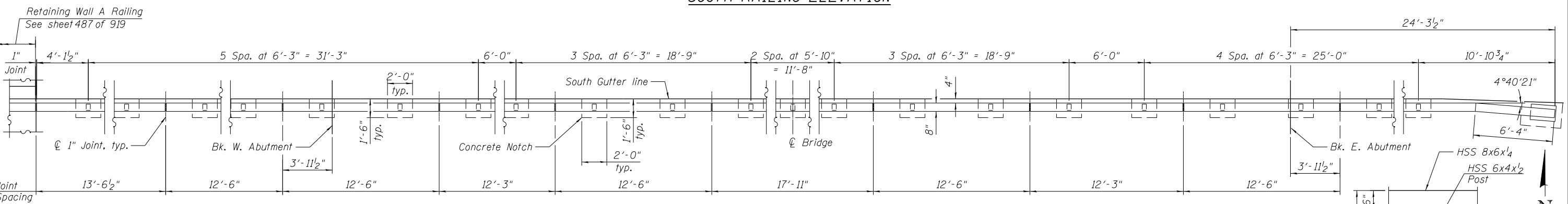
NORTH RAILING ELEVATION



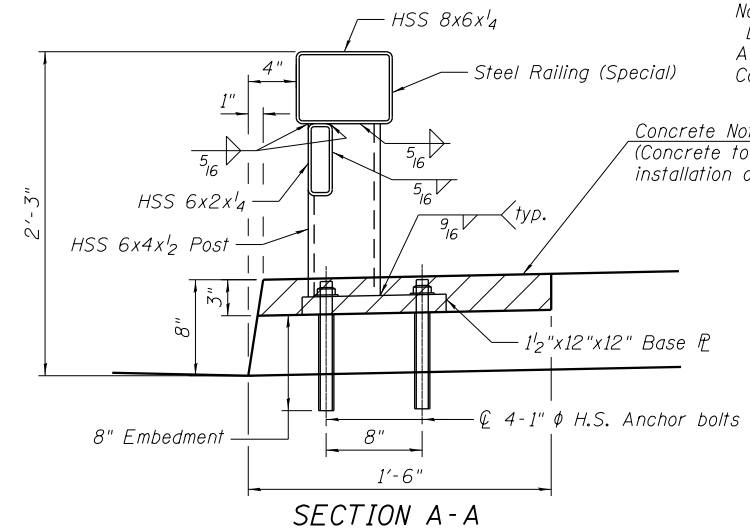
NORTH RAILING PLAN



SOUTH RAILING ELEVATION

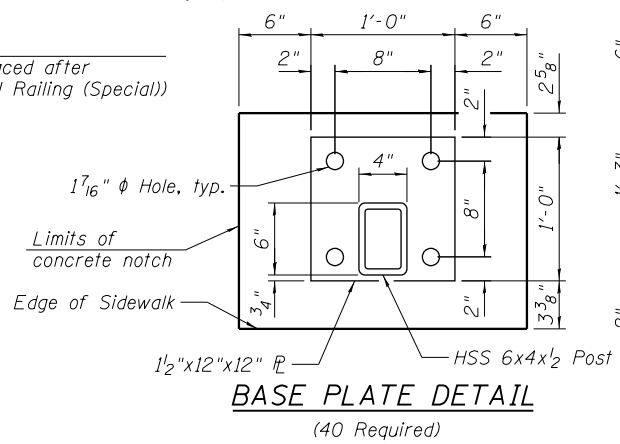


SOUTH RAILING PLAN

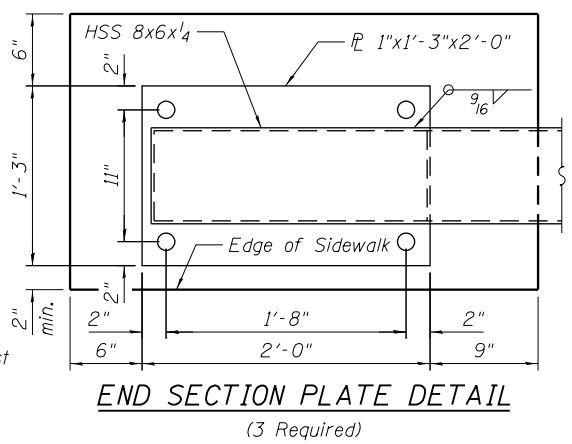


SECTION A-A

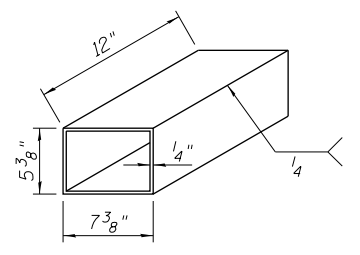
Note:
Drill and set anchor bolts according to Article 509.06 of the Standard Specifications. Cost included in Steel Railing (Special).



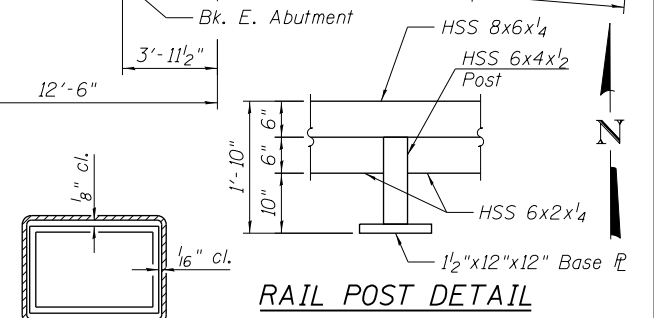
BASE PLATE DETAIL
(40 Required)



END SECTION PLATE DETAIL
(3 Required)



JOINT SLEEVE DETAIL
(Center joint sleeve at the \varnothing of 1" joint)



RAIL POST DETAIL

BILL OF MATERIAL

Item	Unit	Total
Steel Railing (Special)	Foot	272

Notes:
All steel railing elements shall be galvanized according to the special provision Steel Railing (Special) and Article 1006.34 of the Standard Specifications. The color of the final finish for the Steel Railing (Special) shall be Verde Green (See Special Provisions).



USER NAME = jrmickow	DESIGNED - JRM	REVISED -
PLOT SCALE = 8/8" 1' = 1/4"	CHECKED - MDS	REVISED -
PLOT DATE = 12/5/2012	DRAWN - MEP	REVISED -
	CHECKED - MDS	REVISED -

**STATE OF ILLINOIS
DEPARTMENT OF TRANSPORTATION**

**STEEL BRIDGE RAILING
STRUCTURE NO. 016-2844**

SHEET NO. 17 OF 30 SHEETS

F.A.P. RTE.	SECTION	COUNTY	TOTAL SHEETS	SHEET NO.
0305	(1920.01,1518,2022&1922,4BIR	COOK	919	467
CONTRACT NO. 60T35			ILLINOIS FED. AID PROJECT	