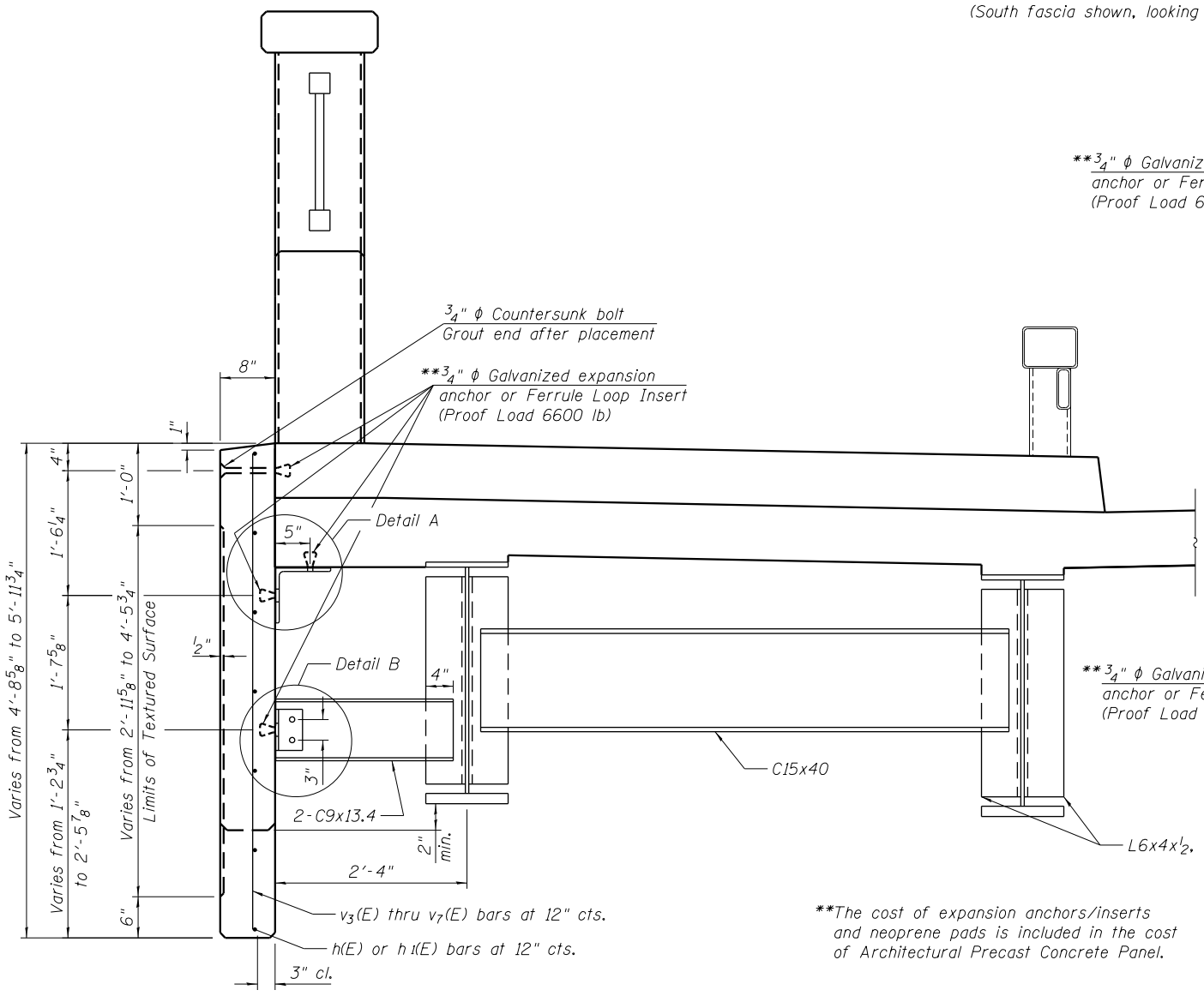
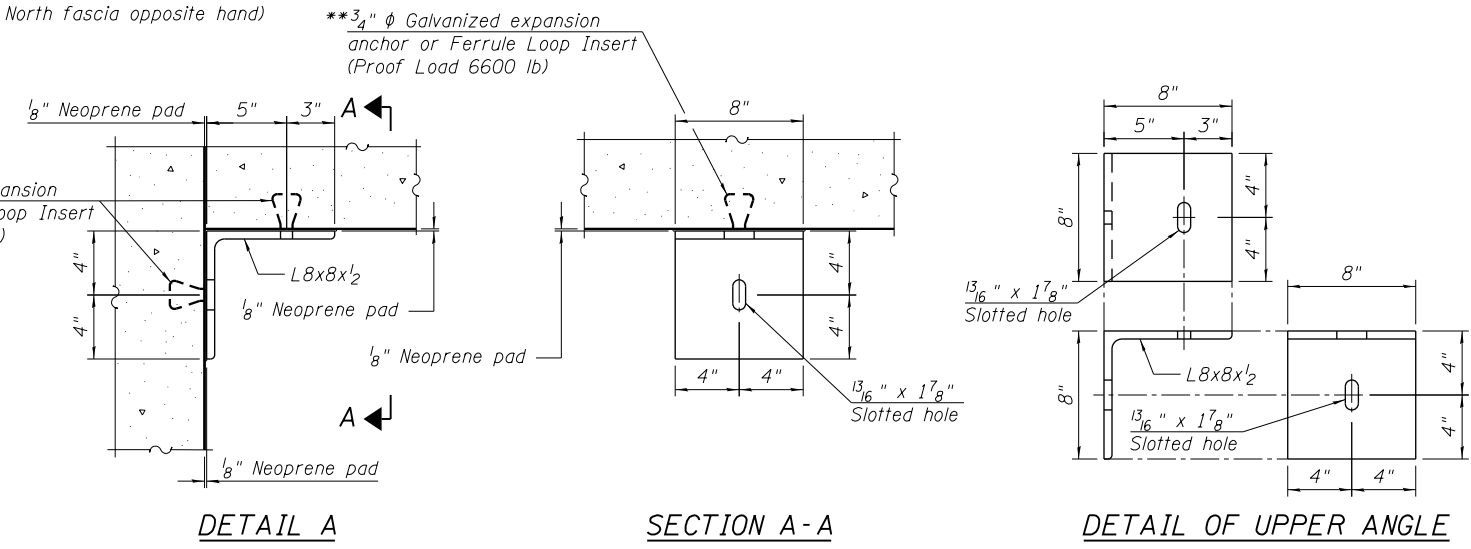


**ELEVATION**

(South fascia shown, looking North. North fascia opposite hand)



**TYPICAL SECTION**



**DETAIL A**

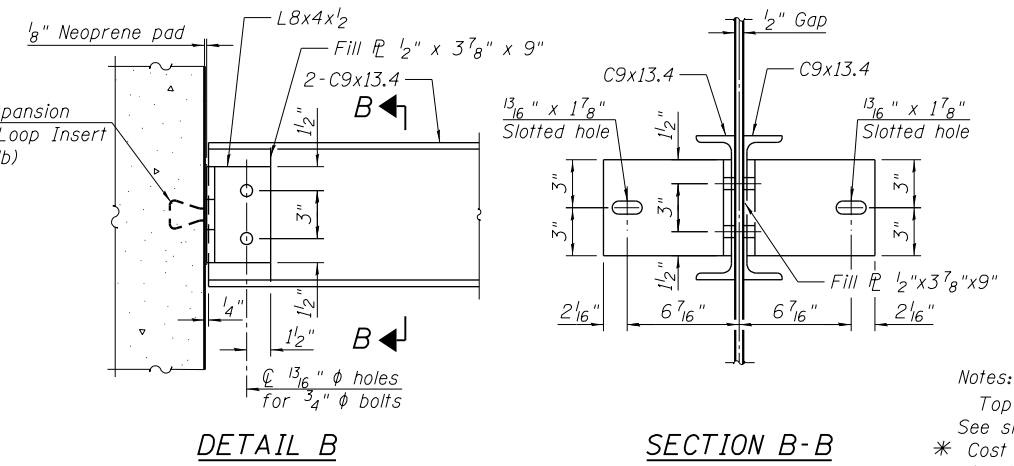
**SECTION A-A**

**DETAIL OF UPPER ANGLE**

**BILL OF MATERIAL**

Bar	No.	Size	Length	Shape
h(E)	28	#5	1'-8"	—
h1(E)	104	#5	9'-1"	—
v3(E)	12	#5	5'-8"	—
v4(E)	40	#5	5'-6"	—
v5(E)	40	#5	5'-0"	—
v6(E)	40	#5	4'-8"	—
v7(E)	40	#5	4'-5"	—
Reinforcement Bars, Epoxy Coated			Pound	1,930
Architectural Precast Concrete Panel			Each	20

Notes:  
 Top of panel is parallel to profile grade line. See sheet 1 of 30.  
 \* Cost of Reinforcement Bars, Epoxy Coated is included with Architectural Precast Concrete Panel.



**DETAIL B**

**SECTION B-B**

12/5/2012 5:46:16 PM - G:\CHIN\058\Bridg\CAADD\Sheets\0162844-D160135-18-FASDET.dgn



USER NAME = jrmickow	DESIGNED - JRM	REVISED -
CHECKED - MDS	REVISIONS -	
PLOT SCALE = 8/10" = 1' / in.	DRAWN - DMG	REVISIONS -
PLOT DATE = 12/5/2012	CHECKED - MDS	REVISIONS -

**STATE OF ILLINOIS  
 DEPARTMENT OF TRANSPORTATION**

**ARCHITECTURAL PRECAST CONCRETE PANEL  
 STRUCTURE NO. 016-2844**

F.A.P. RT.E.	SECTION	COUNTY	TOTAL SHEETS	SHEET NO.
0305	(1920.01.1518.2022&1922.4BIR	COOK	919	468
CONTRACT NO. 60T35			ILLINOIS FED. AID PROJECT	

SHEET NO. 18 OF 30 SHEETS