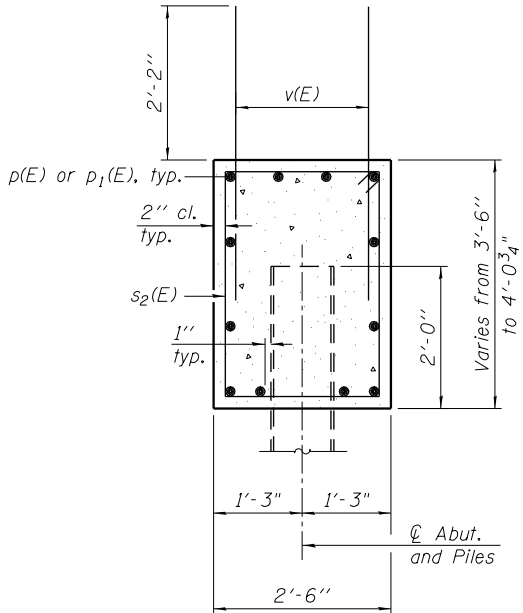
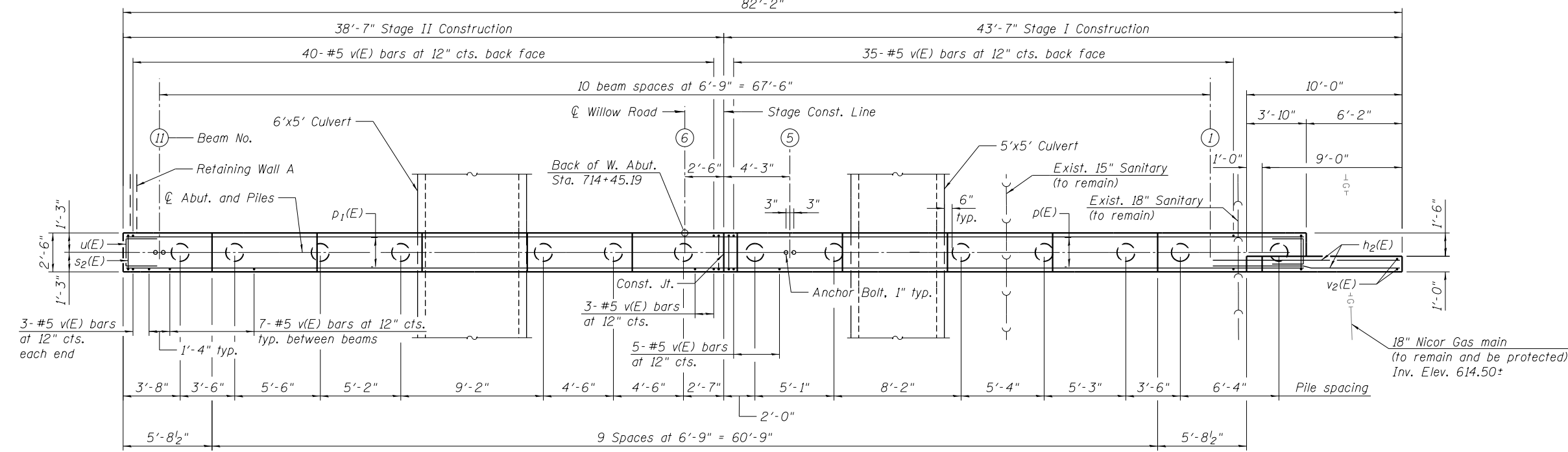


ELEVATION
(Looking West)



SEC. THRU ABUT.



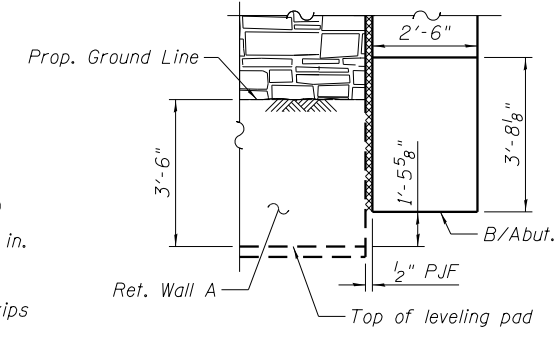
PLAN

BILL OF MATERIAL

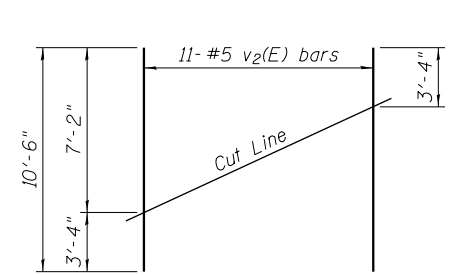
| Bar | No. | Size | Length | Shape |
|---|-----|---------|--------|-------|
| $h_2(E)$ | 18 | #5 | 14'-2" | — |
| $p(E)$ | 12 | #8 | 37'-1" | — |
| $p_1(E)$ | 12 | #8 | 38'-3" | — |
| $p_2(E)$ | 4 | #5 | 14'-0" | — |
| $p_3(E)$ | 4 | #5 | 19'-0" | — |
| $s_2(E)$ | 73 | #5 | 11'-7" | □ |
| $s_3(E)$ | 35 | #5 | 8'-8" | □ |
| $v(E)$ | 152 | #5 | 4'-4" | — |
| $v_2(E)$ | 11 | #5 | 10'-6" | — |
| $u(E)$ | 8 | #6 | 9'-8" | □ |
| Structure Excavation | | Cu. Yd. | 165 | |
| Concrete Structures | | Cu. Yd. | 28.2 | |
| Reinforcement Bars, Epoxy Coated | | Pound | 4940 | |
| Furnishing Metal Shell Piles 14" x 0.312" | | Foot | 819 | |
| Driving Piles | | Foot | 819 | |
| Test Pile Metal Shells | | Each | 1 | |
| Pile Shoes | | Each | 14 | |

PILE DATA

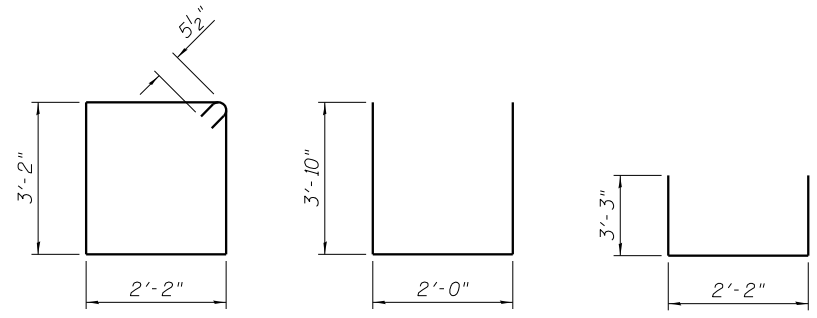
(See 3rd note on Sheet 3 of 30)
 Type: Metal Shell-14 in. dia. x 0.312 in. walls with Pile Shoes
 Nominal Required Bearing: 516 kips
 Factored Resistance Available: 284 kips
 Est. Length: 63'
 No. Production Piles: 13
 No. Test Piles: 1



SECTION A-A



FIELD CUTTING DIAGRAM



BAR $s_2(E)$

BAR $u(E)$

BAR $s_3(E)$

Notes:
 Pour steps monolithically with cap.
 For details of Bar Splicers, see sheet 25 of 30.
 For details of piles, see sheet 24 of 30.

12/5/2012 5:46:18 PM - G:\CHIN\058\Brdge\CADD\Sheets\0162844-D160135-21-WABUT.dgn



| | | |
|---------------------------------|----------------|-----------|
| USER NAME = jrmickow | DESIGNED - JRM | REVISED - |
| PLOT SCALE = 8:0.0000 1' = 1/8" | CHECKED - MDS | REVISED - |
| PLOT DATE = 12/5/2012 | DRAWN - DMG | REVISED - |
| | CHECKED - MDS | REVISED - |

STATE OF ILLINOIS
DEPARTMENT OF TRANSPORTATION

WEST ABUTMENT
STRUCTURE NO. 016-2844

SHEET NO. 21 OF 30 SHEETS

| | | | | |
|--------------------|------------------------------|--------|--------------|-----------|
| F.A.P. RTE. | SECTION | COUNTY | TOTAL SHEETS | SHEET NO. |
| 0305 | (1920.01,1518,2022&1922,4BIR | COOK | 919 | 471 |
| CONTRACT NO. 60T35 | | | | |

ILLINOIS FED. AID PROJECT