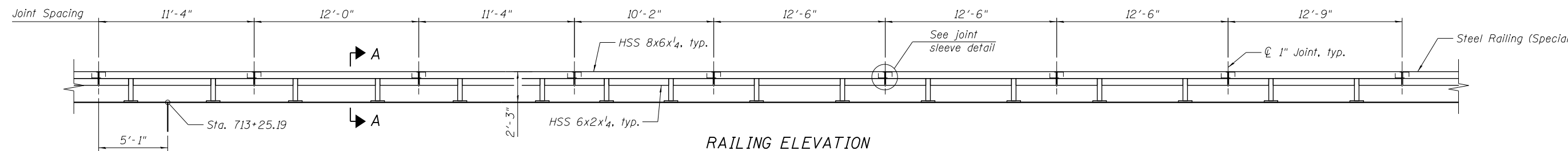
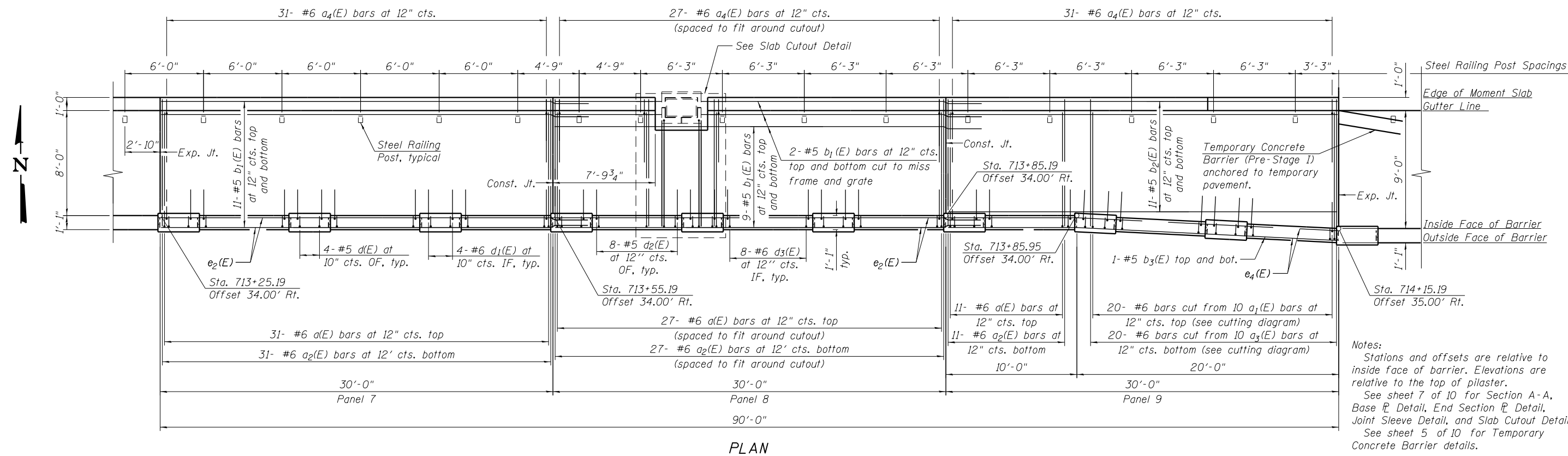


PARAPET ELEVATION



RAILING ELEVATION



PLAN

Notes:
 Stations and offsets are relative to inside face of barrier. Elevations are relative to the top of plaster.
 See sheet 7 of 10 for Section A-A, Base R Detail, End Section R Detail, Joint Sleeve Detail, and Slab Cutout Detail.
 See sheet 5 of 10 for Temporary Concrete Barrier details.

12/5/2012 5:46:39 PM - G:\CHIN\058\Bridges\CADD\Sheets\WALLA-DIG0135-05-REBAR3.dgn



USER NAME = jrmickow	DESIGNED - WJC	REVISED -
CHECKED - MDS	REVISOR -	
PLOT SCALE = 8/0' 1\"/>		
PLOT DATE = 12/5/2012	CHECKED - MDS	REVISED -

STATE OF ILLINOIS
 DEPARTMENT OF TRANSPORTATION

MOMENT SLAB PLAN AND ELEVATION
 RETAINING WALL A

SHEET NO. 5 OF 10 SHEETS

F.A.P. RTE.	SECTION	COUNTY	TOTAL SHEETS	SHEET NO.
0305	(1920.01,1518,2022&1922.4)IR	COOK	919	485
ILLINOIS FED. AID PROJECT			CONTRACT NO. 60T35	