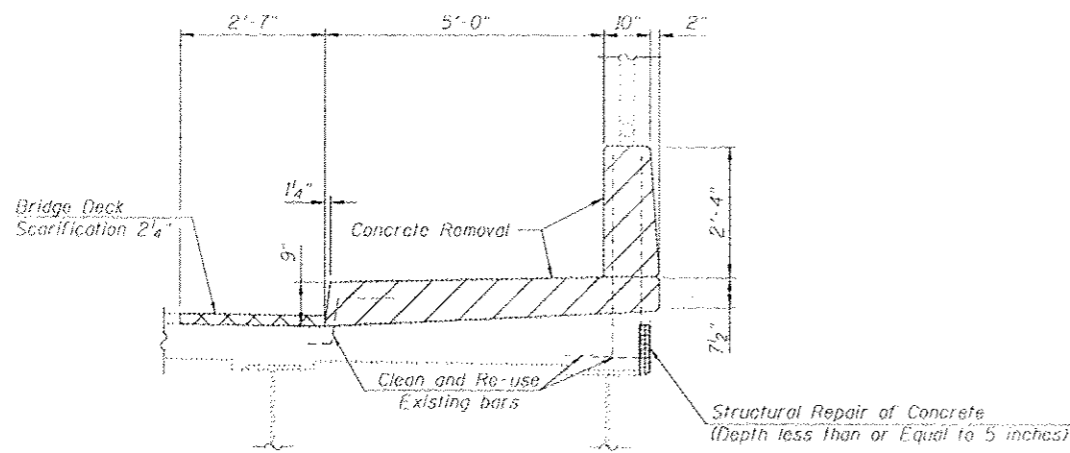
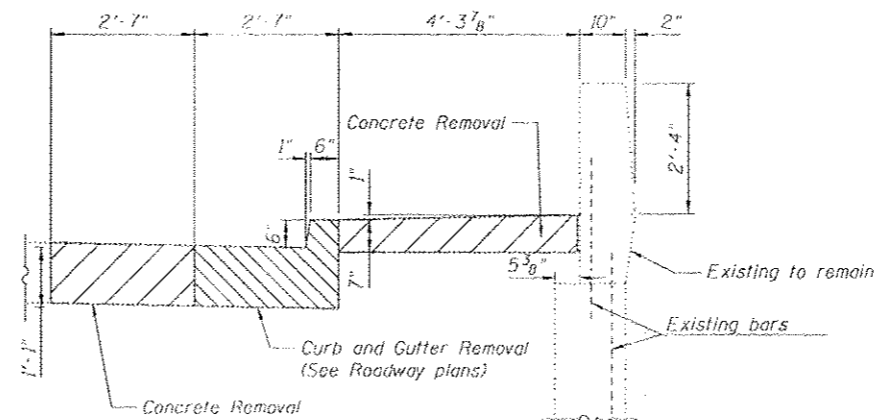


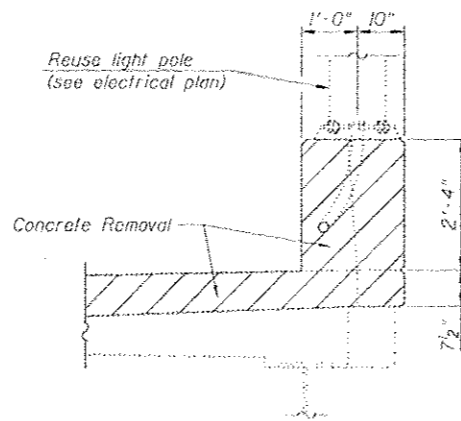
**PLAN**  
(For expansion joint removal, see sheet 7 of 11)



**SECTION A-A**



**SECTION B-B**



**SECTION C-C**

**LEGEND**

- Bridge Deck Scarification 2<sup>1</sup>/<sub>4</sub>"
- Concrete Removal
- Curb and Gutter Removal
- Structural Repair of Concrete

**BILL OF MATERIAL**

Item	Unit	Total
Concrete Removal	Cu. Yd.	66.1
Bridge Deck Scarification 2 <sup>1</sup> / <sub>4</sub> "	Sq. Yd.	67
Structural Repair of Concrete (Depth less than or Equal to 5 inches)	Sq. Ft.	7

Note:  
For curb and gutter removal, see rdwy. plans.  
For expansion joint removal, see sheet 7 of 11.

7/5/2022 5:46:56 PM C:\CK\058\N\app\CADD\Sheet\060135-03-00\058.dgn