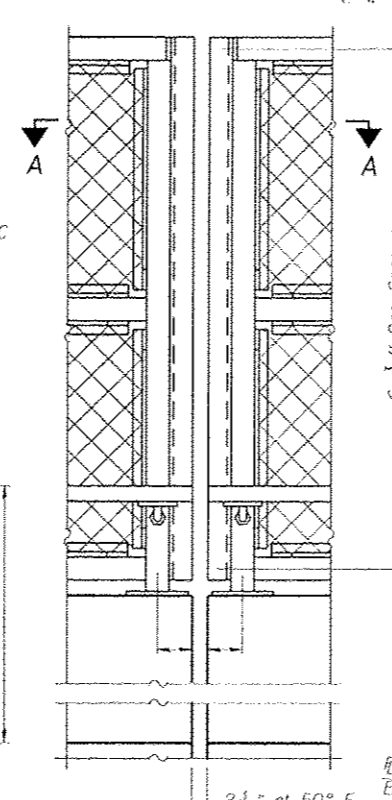
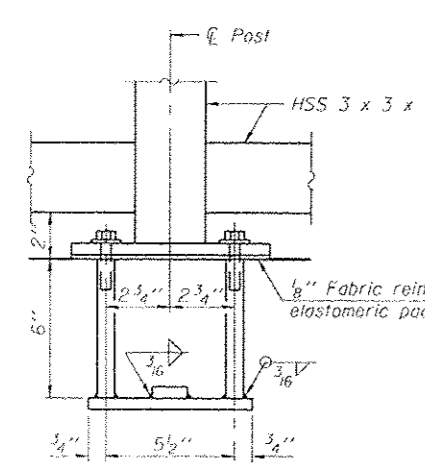


ELEVATION
(Inside Face)

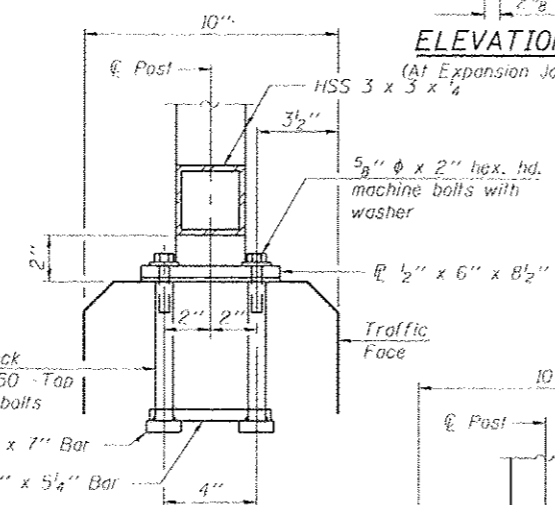


ELEVATION
(At Expansion Joint)

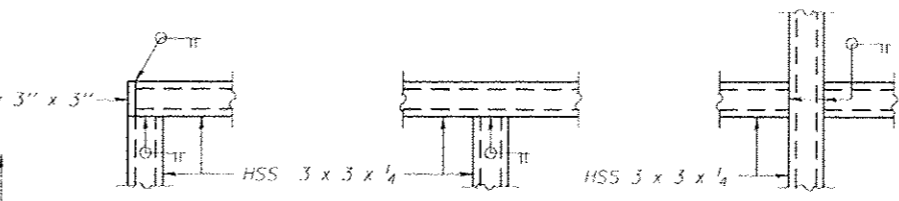


ANCHOR BOLT DETAILS

In lieu of the cast-in-place anchor device shown, the Contractor has the option of drilling and setting 3/8" anchor rods according to Article 509.06 of the Standard Specifications. Embedment shall be according to the manufacturer's specifications.

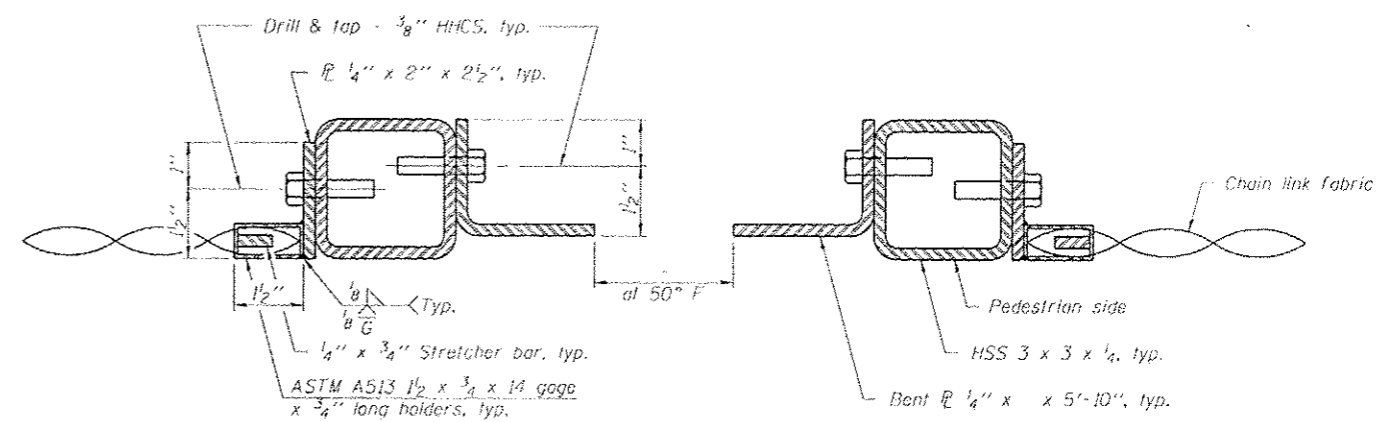


ANCHOR BOLT DETAILS (NORTH PARAPET ONLY)

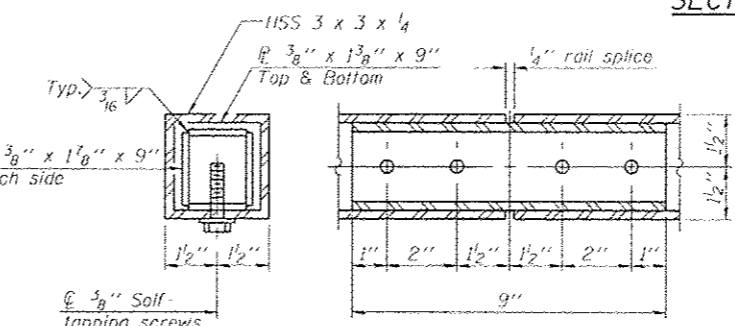


DETAIL A DETAIL B DETAIL C

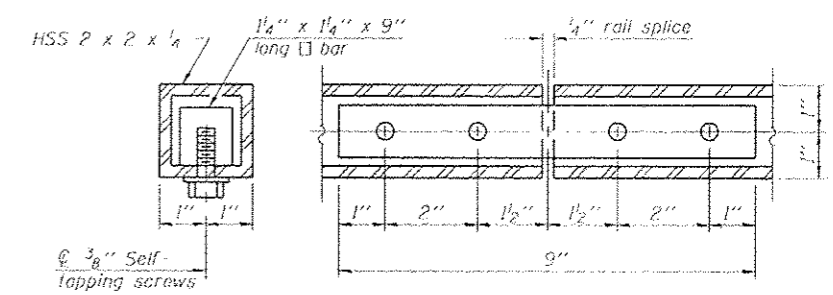
All steel rail elements shall be galvanized according to Article 509.05 of the Standard Specifications.



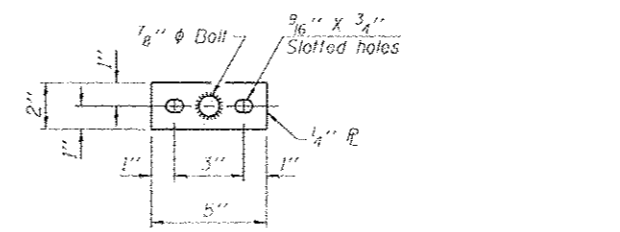
SECTION A-A



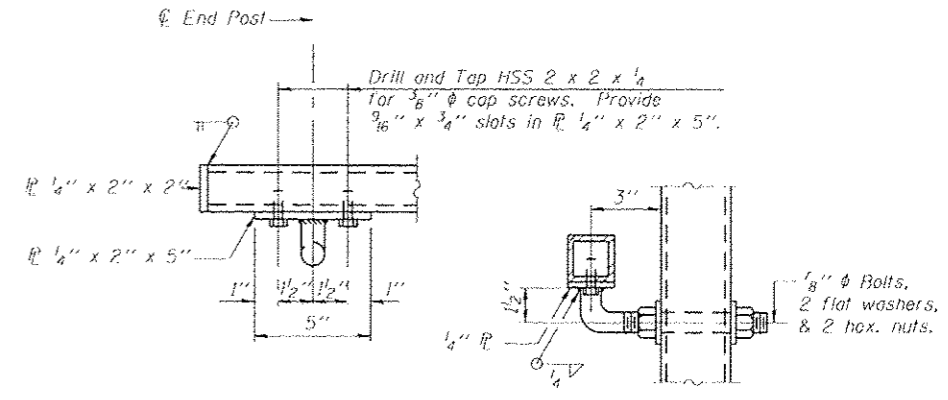
RAIL SPLICE



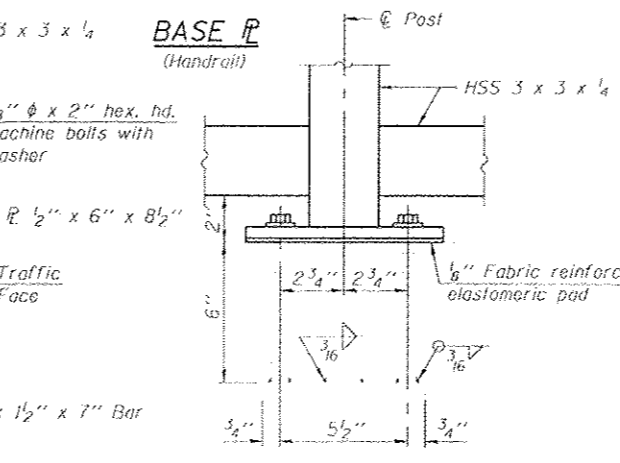
HANDRAIL SPLICE



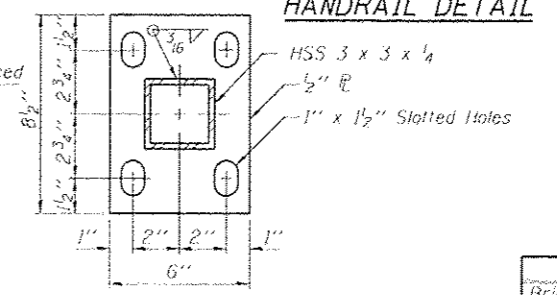
BASE P
(Handrail)



HANDRAIL DETAIL



BASE P
(Parapet)



BASE P

BILL OF MATERIAL

Item	Unit	Quantity
Bridge Fence Railing	Foot	464

2/5/2022 5:47:05 PM - G:\NEW\DESIGN\1908\CADD\Sheet\5090316-D60135-FENCE.dgn



USER NAME	jrmckow
DESIGNED	JRM
CHECKED	MDS
DRAWN	DMG
PLT DATE	12/5/2012

REVISOR	REVISION
REVISOR	REVISION
REVISOR	REVISION
REVISOR	REVISION
REVISOR	REVISION

STATE OF ILLINOIS
DEPARTMENT OF TRANSPORTATION

BRIDGE FENCE RAILING, PARAPET MOUNTED
STRUCTURE NO. 016-0536
SHEET NO. 11 OF 11 SHEETS

F.A.P. RTE.	SECTION	COUNTY	TOTAL SHEETS	SHEET NO.
0305	1920.01.1518.2022&1922.4BR		919	500A
CONTRACT NO. 60T35			ILLINOIS FED. AID PROJECT	