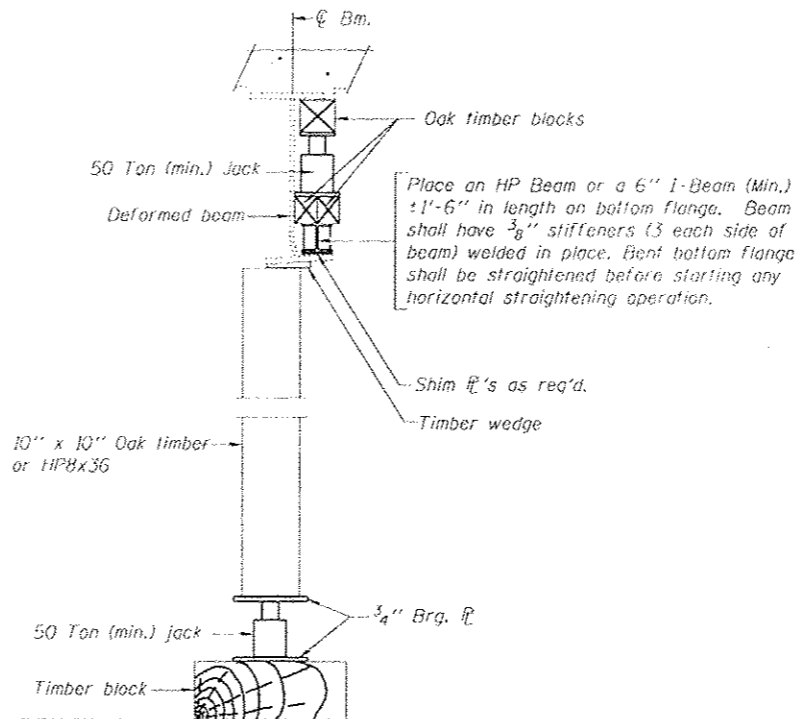
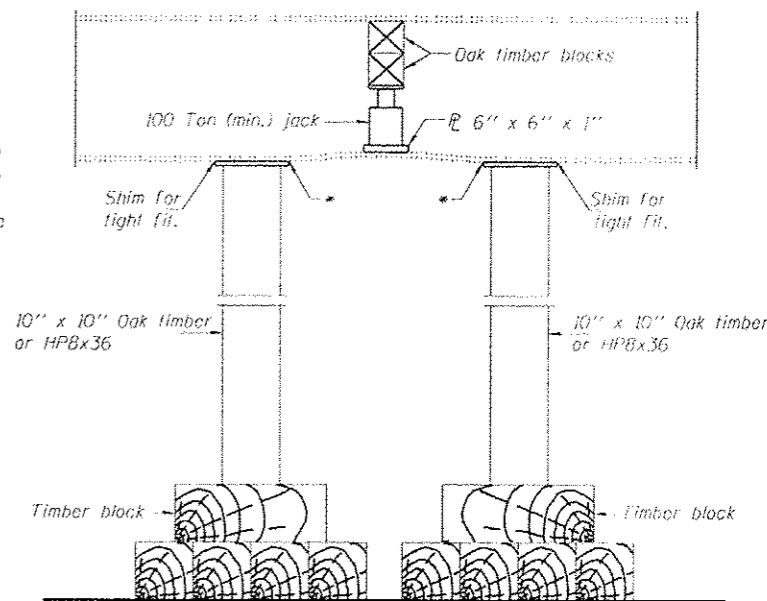


**PARTIAL PLANS**  
**SUGGESTED BEAM STRAIGHTENING METHODS**

Straightening force shall be maintained on all load transfer blocking during beam straightening.



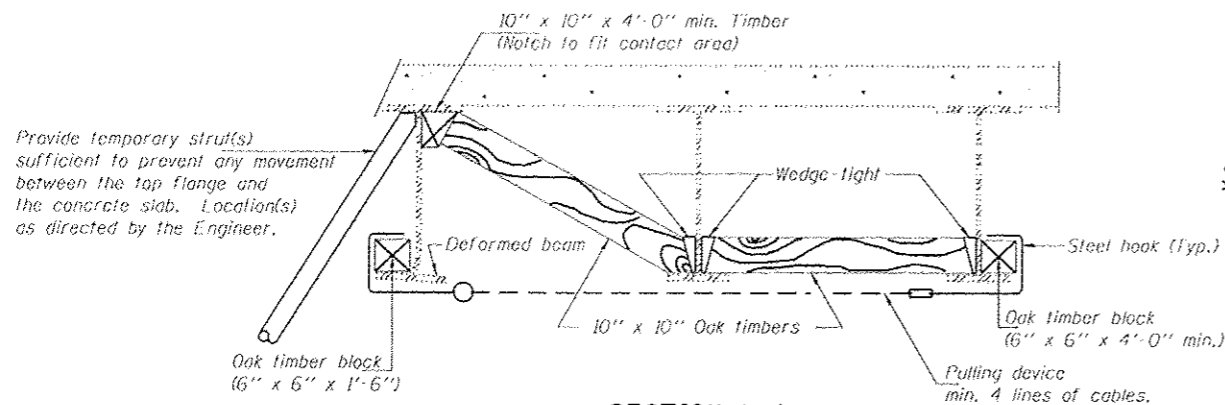
**SUGGESTED VERTICAL STRAIGHTENING DETAIL**  
(To correct flange rotation.)



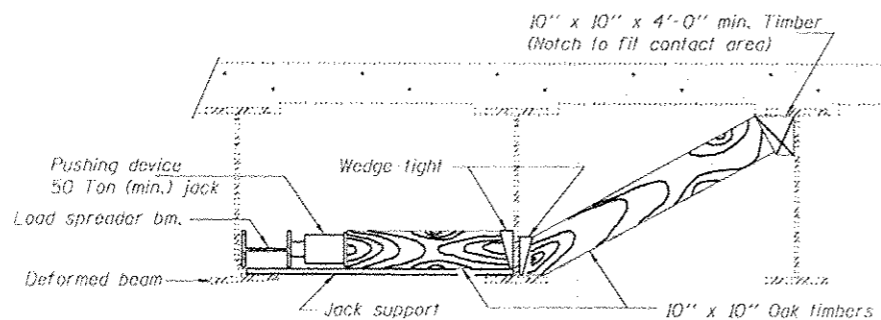
**SUGGESTED VERTICAL STRAIGHTENING DETAIL**  
(To correct localized vertical flange deformations.)

\* Edge of plate shall line up with edge of deformation.

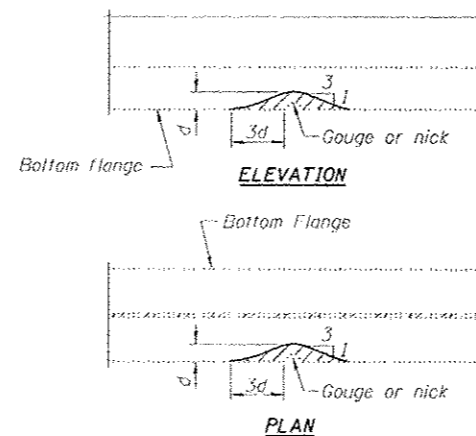
Note:  
Braces and jack assembly shall be placed on same side of web.  
Bent bottom flange shall be straightened before starting any horizontal straightening operations.



**SECTION A-A**



**SECTION B-B**



**GRINDING DETAIL**

Grind existing nicks, gouges and shallow cracks in the damaged beams as detailed. Ground surfaces shall be inspected for cracks using magnetic particle testing prior to initiating any beam straightening operations. Any cracks that cannot be removed by grinding approximately 1/4\"/>

**BILL OF MATERIAL**

| Item               | Unit   | Total |
|--------------------|--------|-------|
| Beam Straightening | L. Sum | 1     |

REP-1 1-14-2005



|                           |                 |          |
|---------------------------|-----------------|----------|
| USER NAME: jrmichow       | DESIGNED: JRM   | REVISED: |
| PL01 SCALE = 24x0 1/2 in. | CHECKED: MDS    | REVISED: |
| PL01 DATE = 12/5/2012     | DRAWN: JRM      | REVISED: |
|                           | CHECKED: DL/KAH | REVISED: |

STATE OF ILLINOIS  
DEPARTMENT OF TRANSPORTATION

STEEL BEAM REPAIR DETAILS  
STRUCTURE NO. 016-0536

SHEET NO. 10 OF 11 SHEETS

|                    |                            |        |                           |           |
|--------------------|----------------------------|--------|---------------------------|-----------|
| F.A.P. RTE.        | SECTION                    | COUNTY | TOTAL SHEETS              | SHEET NO. |
| 0305               | 1920.01.1518.2022&1922.4BR | COOK   | 919                       | 500       |
| CONTRACT NO. 60T35 |                            |        | ILLINOIS FED. AID PROJECT |           |