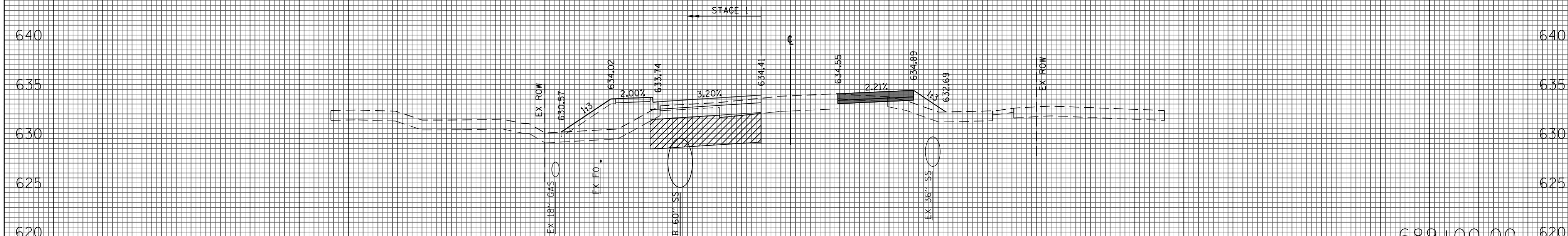
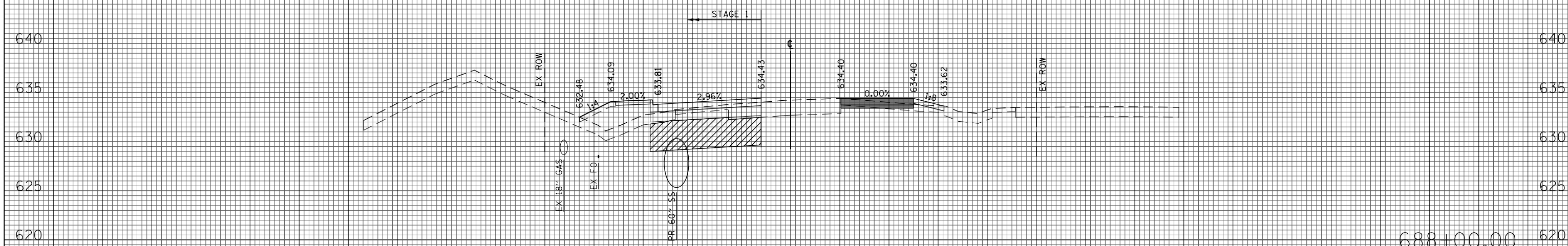


150 140 130 120 110 100 90 80 70 60 50 40 30 20 10 0 10 20 30 40 50 60 70 80 90 100 110 120 130 140 150



| (SQ FT) | PRESTAGE 1 | STAGE 1 |
|----------------|------------|---------|
| EARTH EXC | 7 | 16 |
| EMBANKMENT | 16 | 44 |
| UNSUITABLE EXC | 12 | 20 |
| AGG SUBGRADE | 0 | 66 |
| IMP (UNDERCUT) | | |

689+00.00



| (SQ FT) | PRESTAGE 1 | STAGE 1 |
|----------------|------------|---------|
| EARTH EXC | 1 | 13 |
| EMBANKMENT | 4 | 34 |
| UNSUITABLE EXC | 0 | 20 |
| AGG SUBGRADE | 0 | 66 |
| IMP (UNDERCUT) | | |

688+00.00

150 140 130 120 110 100 90 80 70 60 50 40 30 20 10 0 10 20 30 40 50 60 70 80 90 100 110 120 130 140 150

FILE NAME = G:\CH11\0158\Road\Sheets\0160T35-SHT-XSC-1-1.dgn
 USER NAME = BAW\tor.t
 PLOT SCALE = 20.000' / in.
 PLOT DATE = 11/28/2012

DESIGNED - JLV
 DRAWN - KAL
 CHECKED - RCB
 DATE - 10/31/2012

REVISED -
 REVISED -
 REVISED -
 REVISED -

**STATE OF ILLINOIS
 DEPARTMENT OF TRANSPORTATION**

WILLOW ROAD STAGE 1 CROSS SECTIONS

SCALE: 10H : 5V SHEET NO. 603 OF 919 SHEETS STA. 688+00.00 TO STA. 689+00.00

| F.A.P. RTE. | SECTION | COUNTY | TOTAL SHEETS | SHEET NO. |
|---|-----------------------------|--------|--------------|-----------|
| 305 | (1920.01,1518,2022&1922.4)R | COOK | 919 | 603 |
| CONTRACT NO. 60T35 | | | | |
| FED. ROAD DIST. NO. 1 ILLINOIS FED. AID PROJECT | | | | |