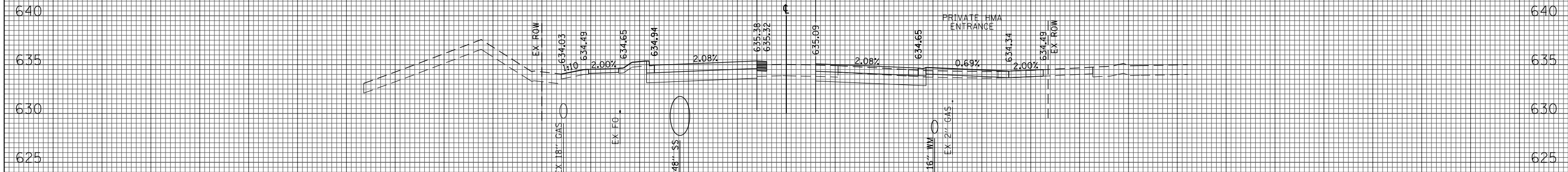
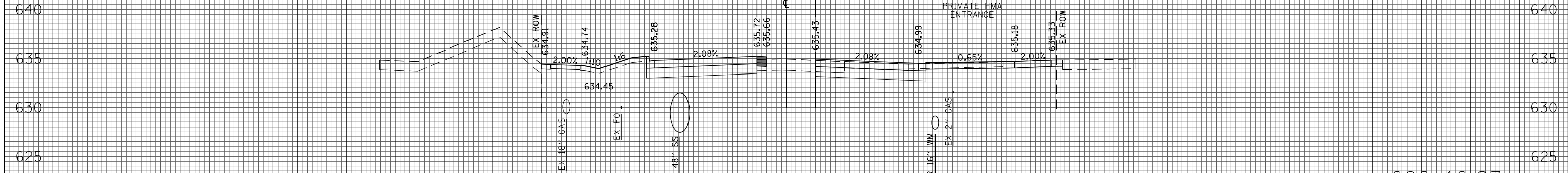


150 140 130 120 110 100 90 80 70 60 50 40 30 20 10 0 10 20 30 40 50 60 70 80 90 100 110 120 130 140 150



(SQ FT)	PRESTAGE 2	STAGE 2
EARTH EXC	0	19
EMBANKMENT	0	3
UNSUITABLE EXC	0	0
AGG SUBGRADE	0	0
IMP (UNDERCUT)	0	0

686+58.77



(SQ FT)	PRESTAGE 2	STAGE 2
EARTH EXC	0	22
EMBANKMENT	1	0
UNSUITABLE EXC	0	0
AGG SUBGRADE	0	0
IMP (UNDERCUT)	0	0

686+16.27

150 140 130 120 110 100 90 80 70 60 50 40 30 20 10 0 10 20 30 40 50 60 70 80 90 100 110 120 130 140 150

FILE NAME = G:\CH11\0158\Road\Sheets\160T35-SHT-XSC-1-2.dgn
 USER NAME = BAW\jort
 PLOT SCALE = 20.000' / in.
 PLOT DATE = 11/1/2012

DESIGNED - JLV
 DRAWN - KAL
 CHECKED - RCB
 DATE - 10/31/2012

REVISED -
 REVISED -
 REVISED -
 REVISED -

**STATE OF ILLINOIS
 DEPARTMENT OF TRANSPORTATION**

WILLOW ROAD STAGE 2 CROSS SECTIONS

SCALE: 10H : 5V SHEET NO. 703 OF 919 SHEETS STA. 686+16.27 TO STA. 686+58.77

F.A.P. RTE.	SECTION	COUNTY	TOTAL SHEETS	SHEET NO.
305	(1920.01,1518,2022&1922.4B)R	COOK	919	703
CONTRACT NO. 60T35				
FED. ROAD DIST. NO. 1 ILLINOIS FED. AID PROJECT				