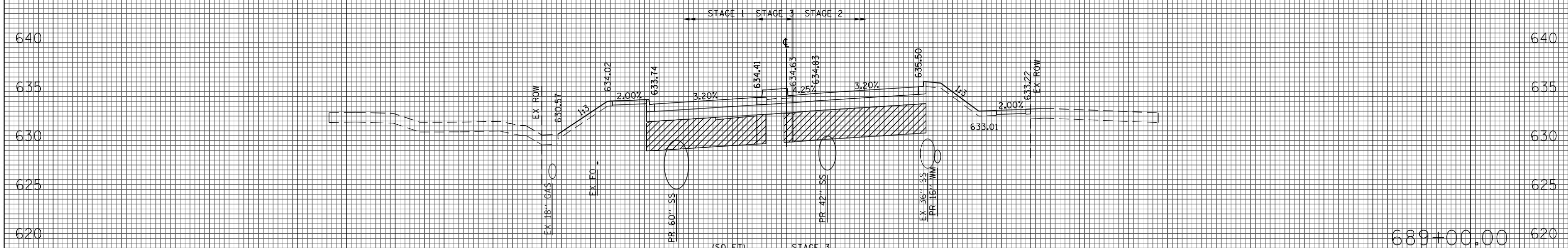
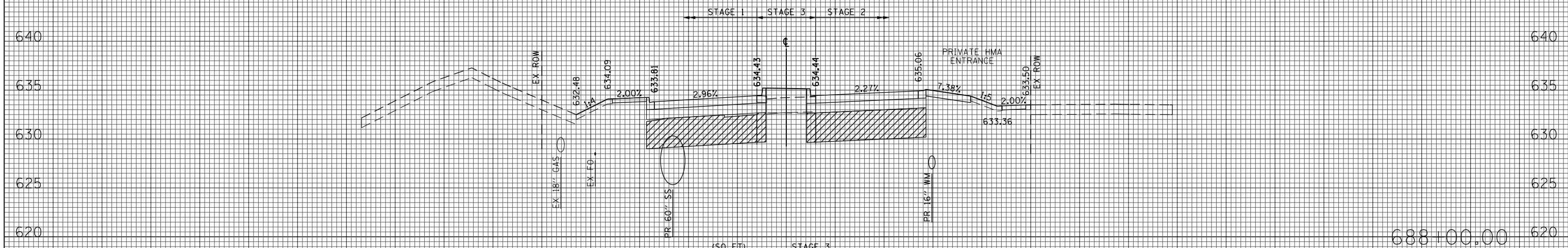


150 140 130 120 110 100 90 80 70 60 50 40 30 20 10 0 10 20 30 40 50 60 70 80 90 100 110 120 130 140 150



(SQ FT)	STAGE 3
EARTH EXC	2
EMBANKMENT	0
UNSUITABLE EXC	0
AGG SUBGRADE (MP UNDERCUT)	11



(SQ FT)	STAGE 3
EARTH EXC	3
EMBANKMENT	0
UNSUITABLE EXC	0
AGG SUBGRADE (MP UNDERCUT)	11

150 140 130 120 110 100 90 80 70 60 50 40 30 20 10 0 10 20 30 40 50 60 70 80 90 100 110 120 130 140 150

FILE NAME = G:\CH11\0158\Road\Sheets\0160T35-SHT-XSC-1-3.dgn
 USER NAME = BAW\jort
 PLOT SCALE = 20.000' / in.
 PLOT DATE = 11/1/2012

DESIGNED - JLV
 DRAWN - KAL
 CHECKED - RCB
 DATE - 10/31/2012

REVISED -
 REVISED -
 REVISED -
 REVISED -

**STATE OF ILLINOIS
 DEPARTMENT OF TRANSPORTATION**

WILLOW ROAD STAGE 3 CROSS SECTIONS
 SCALE: 10H : 5V SHEET NO. 807 OF 919 SHEETS STA. 688+00.00 TO STA. 689+00.00

F.A.P. RTE.	SECTION	COUNTY	TOTAL SHEETS	SHEET NO.
305	(1920.01,1518,2022&1922.4)R	COOK	919	807
CONTRACT NO. 60T35				
FED. ROAD DIST. NO. 1 ILLINOIS FED. AID PROJECT				