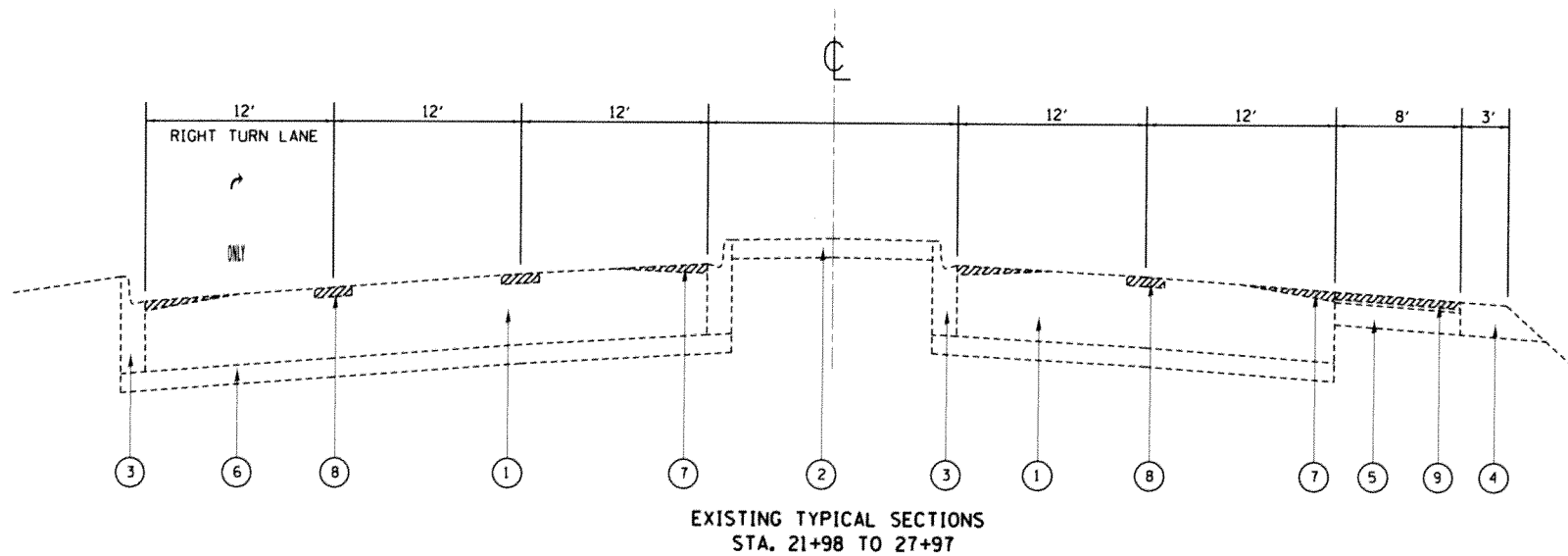
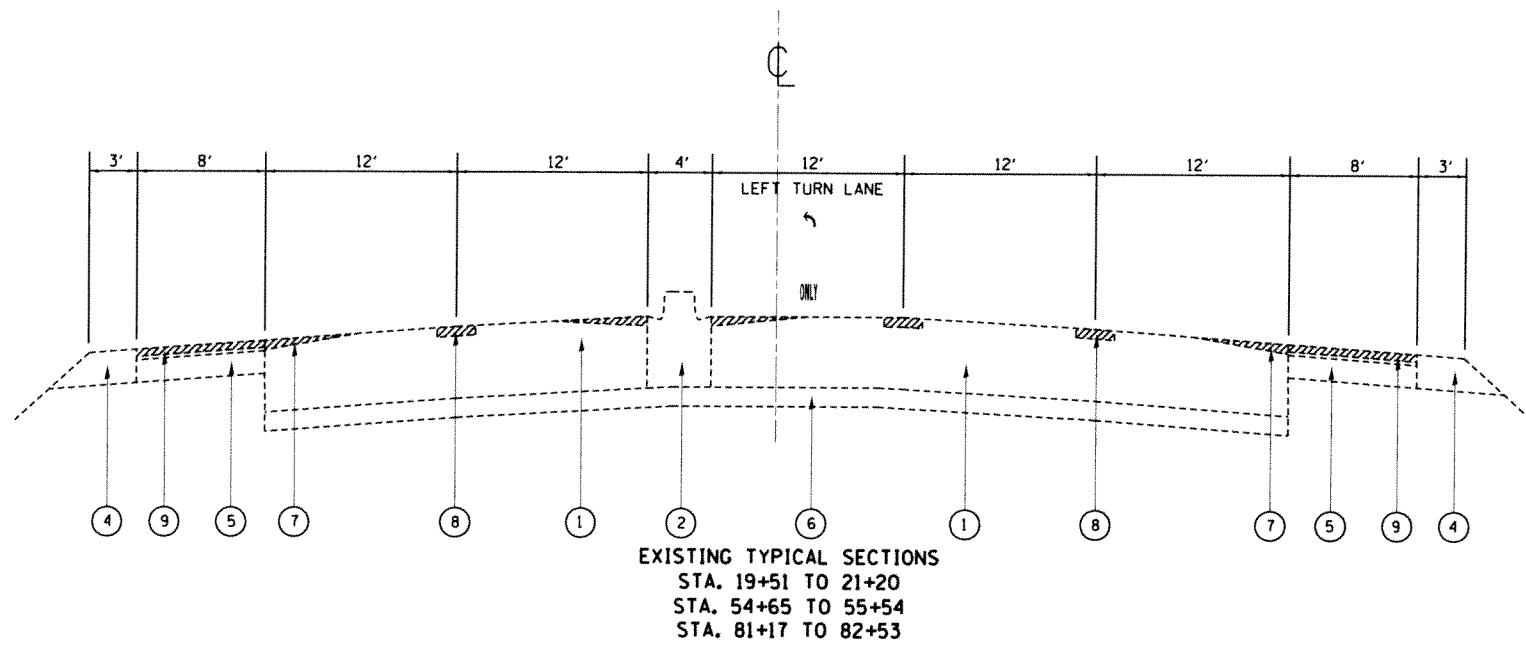
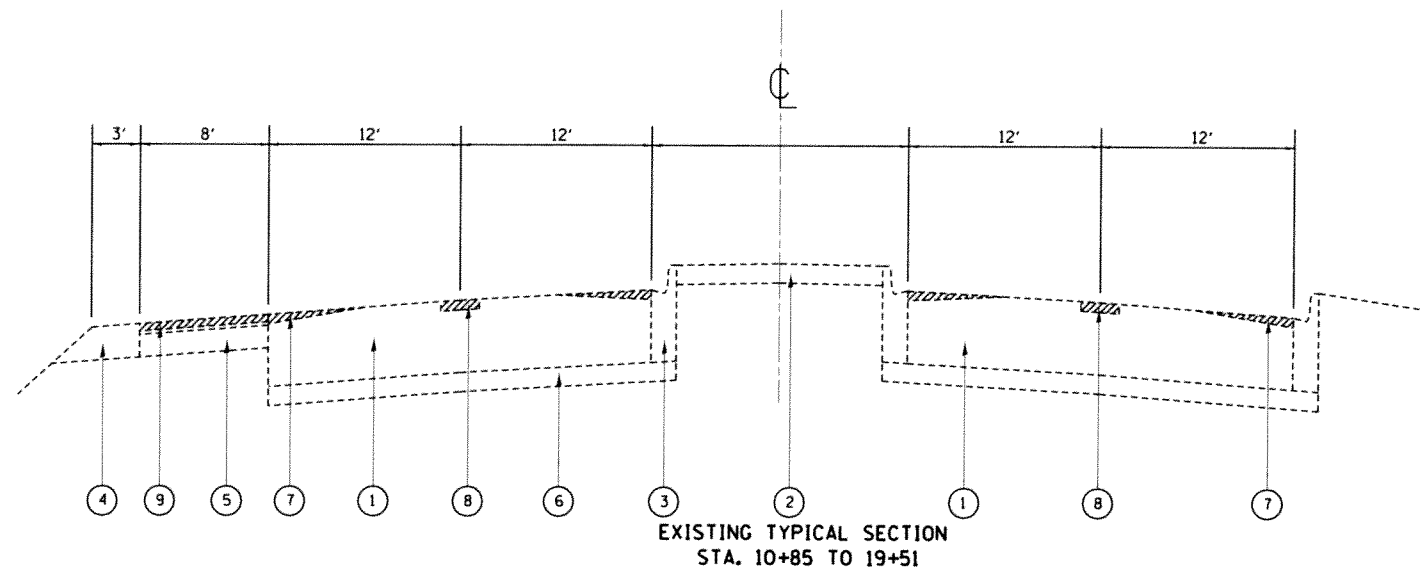


LEGEND:

- ① EXIST. P.C.C. PAVEMENT, ±10"
 - ② EXIST. CONCRETE BARRIER MEDIAN
 - ③ EXIST. COMBINATION CONCRETE CURB AND GUTTER, TYPE B-6.12
 - ④ EXIST. AGGREGATE SHOULDER
 - ⑤ EXIST. HOT-MIX ASPHALT SHOULDER
 - ⑥ EXIST. STABILIZED SUB-BASE
 - ⑦ PROP. P.C.C. SURFACE REMOVAL (VARIABLE DEPTH)
 - ⑧ PROP. PARTIAL DEPTH REMOVAL, 3"
 - ⑨ PROP. HOT-MIX ASPHALT SURFACE REMOVAL, 2½"
 - ⑩ PROP. POLYMERIZED LEVELING BINDER (MACHINE METHOD), IL-4.75, N50, 1"
 - ⑪ PROP. HOT-MIX ASPHALT SURFACE COURSE, MIX "D", N70, 1½"
 - ⑫ PROP. PARTIAL DEPTH PATCHING
 - ⑬ PROP. GRADING AND SHAPING SHOULDERS
 - ⑭ PROP. AGGREGATE WEDGE SHOULDER, TYPE B
- R CURB AND GUTTER REMOVAL AND REPLACEMENT (AS DIRECTED BY THE ENGINEER)



FILE NAME =	USER NAME = steedpa	DESIGNED -	REVISED -	STATE OF ILLINOIS DEPARTMENT OF TRANSPORTATION	EXISTING TYPICAL CROSS SECTIONS				F.A.P. RTE.	SECTION	COUNTY	TOTAL SHEETS	SHEET NO.
ct:\pw\work\pwwd01\stedpa\0319726\0104	13-sht-plan.dgn	DRAWN -	REVISED -		F.A.P. 350/ IL. 50 (CICERO AVE.)--STEEGER RD. TO GOVERNORS HWY.				350	(101W-EXT-R/R/S	WILL	31	5
	PLOT SCALE = 100,0000' / in.	CHECKED -	REVISED -		SCALE: SHEET NO. OF SHEETS STA. TO STA.				CONTRACT NO. 60V65				
	PLOT DATE = 10/26/2012	DATE -	REVISED -		FED. ROAD DIST. NO. 1 ILLINOIS FED. AID PROJECT								