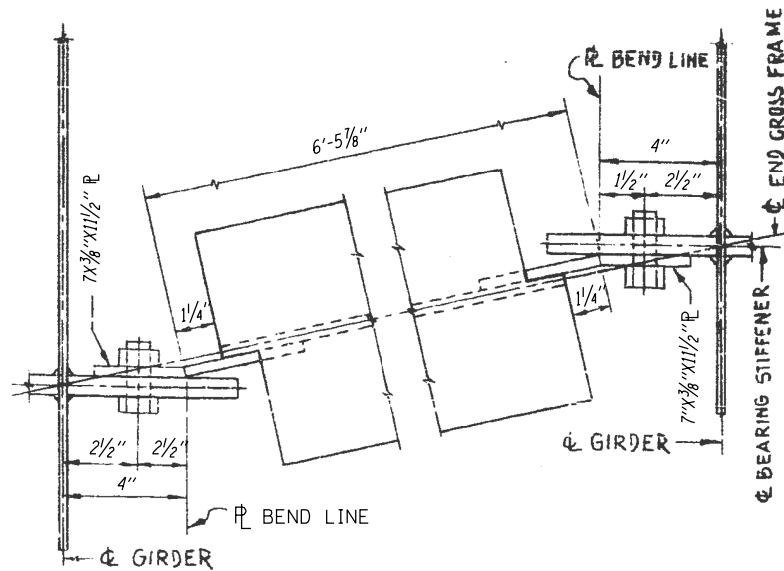


END CROSS FRAME

* NOTE: DIMENSION 1'-9" TYPICAL EXCEPT FOR FRAMES ON BOTH SIDES OF GIRDER NO 8 AT SOUTH ABUTMENT FOR LAY-OUT SEE SHEET NO 7.



SECTION A-A

FILE NAME =	USER NAME = r1osfj	DESIGNED -	REVISED -	STATE OF ILLINOIS DEPARTMENT OF TRANSPORTATION	LOCATION 1 (SN 016-1015)			F.A. RTE.	SECTION	COUNTY	TOTAL SHEETS	SHEET NO.			
et:\pw\work\p1dot\r1osfj\d0319439\0108613\shht-plan.dgn		DRAWN -	REVISED -		SCALE:	SHEET 3	OF 4	SHEETS	STA.	TO STA.	VAR.	2012-074BP	COOK	27	11
MODELNAME	PLOT DATE = 11/9/2012	CHECKED -	REVISED -		CONTRACT NO. 60V84										
		DATE -	REVISED -		ILLINOIS NON - FED. AID PROJECT										