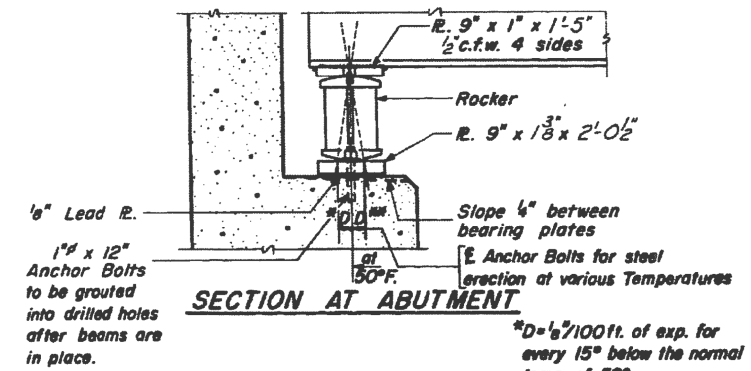
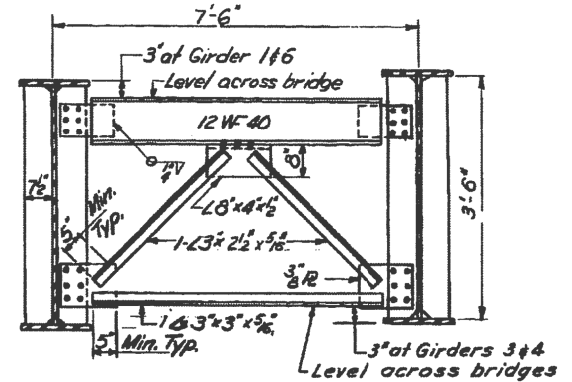


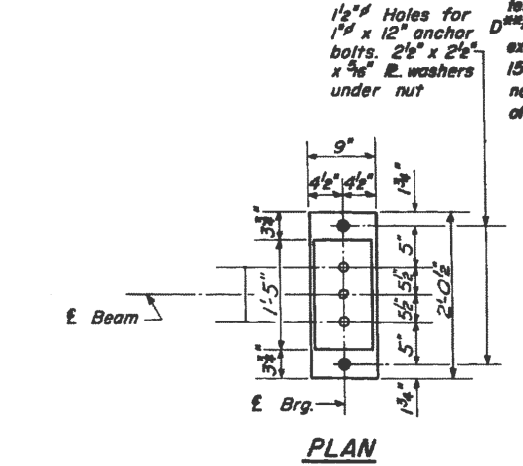
ELEVATION



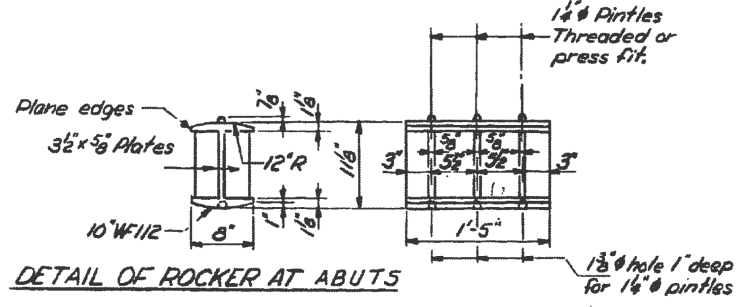
SECTION AT ABUTMENT



TYPICAL CROSS FRAME - CF
10 Required



PLAN



DETAIL OF ROCKER AT ABUTS

FILE NAME =	USER NAME = riosfj	DESIGNED -	REVISED -	STATE OF ILLINOIS DEPARTMENT OF TRANSPORTATION	LOCATION 2 (SN 016-1099)		F.A. RTE.	SECTION	COUNTY	TOTAL SHEETS	SHEET NO.
et:\pwork\pwork\rosfj\d0319439\0108613\sheet-plan.dgn	DRAWN -	REVISED -	VAR.				2012-074BP	COOK	27	14	
PLOT SCALE = 100.0000' / in.	CHECKED -	REVISED -	CONTRACT NO. 60V84								
\$MODELNAME\$	DATE -	REVISED -	ILLINOIS NON - FED. AID PROJECT								
			SCALE:	SHEET 2	OF 3	SHEETS	STA.	TO STA.			