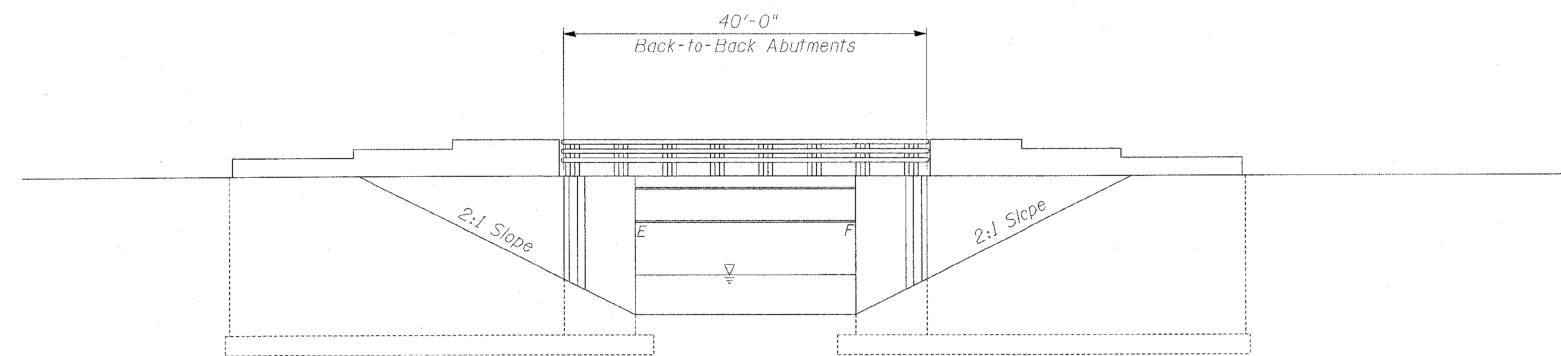


PLAN



ELEVATION

**FOR INFORMATION ONLY**

FILE NAME =	USER NAME = r1osfj	DESIGNED -	REVISED -	<b>STATE OF ILLINOIS DEPARTMENT OF TRANSPORTATION</b>	<b>LOCATION 4 (SN 016-0919)</b>			F.A. RTE.	SECTION	COUNTY	TOTAL SHEETS	SHEET NO.			
c:\pwwork\p1dot\r1osfj\d0319439\0108613\sheet-plan.dgn		DRAWN -	REVISED -		SCALE:	SHEET 1	OF 2	SHEETS	STA.	TO STA.	VAR.	2012-074BP	COOK	27	19
*MODELNAME*	PLOT SCALE = 100.0000' / in.	CHECKED -	REVISED -		<b>CONTRACT NO. 60V84</b>										
	PLOT DATE = 11/9/2012	DATE -	REVISED -		ILLINOIS NON - FED. AID PROJECT										