

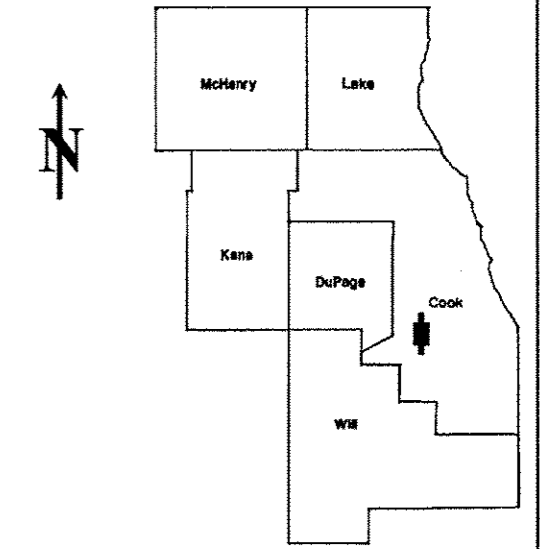
1-18-13 LETTING ITEM 018

FOR INDEX OF SHEETS SEE SHEET 2

ROUTE	SECTION	COUNTY	TOTAL SHEETS	SHEET NUMBER
F.A.P 348	2012-079BP	COOK	16	1

**CONTRACT NO. 60V89
D-91-091-13**

**STATE OF ILLINOIS
 DEPARTMENT OF TRANSPORTATION
 DIVISION OF HIGHWAYS
 DISTRICT ONE
 PROPOSED HIGHWAY PLANS**



LOCATION OF IMPROVEMENT INDICATED THUS: 

**IMPROVEMENT IS
 LOCATED IN THE CITY OF
 CHICAGO**

**FAP ROUTE 348:ILL 43 (HARLEM AVE)
 OVER I.C.G.R.R.
 SECTION 2012-079BP
 BRIDGE PAINTING
 COOK COUNTY
 C-91-091-13**

**SEE LOCATION MAP
 SHEET 6**

**STATE OF ILLINOIS
 DEPARTMENT OF TRANSPORTATION
 DIVISION OF HIGHWAYS**
 SUBMITTED: October 23 2012
John Fortmann
 DEPUTY DIRECTOR OF HIGHWAYS, REGION ENGINEER
Dec 7 2012
John D. Baranzelli PE
 acting ENGINEER OF DESIGN AND ENVIRONMENT
Dec 7 2012
William R. Frey
 acting DIRECTOR, DIVISION OF HIGHWAYS

**PRINTED BY THE AUTHORITY
 OF THE STATE OF ILLINOIS**

PROJECT ENGINEER: ROBERT BORO (847) 705-4237
PROJECT MANAGER: ISSAM RAYYAN (847) 705-4178

CONTRACT NO. 60V89

**C.U.A.N.
 CHICAGO UTILITY ALERT NETWORK
 1-312-744-7000**

ROUTE	SECTION	COUNTY	TOTAL SHEETS	SHEET NUMBER
F.A.P. 348	2012-079BP	COOK	15	2

CONTRACT NO. 60V89

INDEX OF SHEETS

- 1 TITLE SHEET
- 2 INDEX OF SHEETS, STATE STANDARDS
- 3 GENERAL NOTES
- 4 GENERAL NOTES FOR PAINT
- 5 SUMMARY OF QUANTITIES
- 6 LOCATION MAP
- 7-12 EXISTING BRIDGE PLANS (SN 016-0317, LOC 1)
- 13-15 EXISTING BRIDGE PLANS (SN 016-0318, LOC 2)
- 16 ARTERIAL ROAD INFORMATION SIGN (TC-22)

STATE STANDARDS

- 701101-03 OFF-ROAD OPERATIONS, MULTILANE, 15' TO 24" FROM PAVEMENT EDGE
- 701301-04 LANE CLOSURE, 2L, 2W, SHORT TIME OPERATIONS
- 701601-08 URBAN LANE CLOSURE, MULTILANE, 1 W OR 2W WITH NONTRAVERSABLE MEDIAN
- 701801-05 SIDEWALK, CORNER OR CROSSWALK CLOSURE
- 701901-03 TRAFFIC CONTROL DEVICES

ILLINOIS DEPARTMENT OF TRANSPORTATION

INDEX OF SHEETS
STATE STANDARDS

ROUTE	SECTION	COUNTY	TOTAL SHEETS	SHEET NUMBER
F.A.P. 348	2012-079BP	COOK	16	3

CONTRACT NO. 60V89

GENERAL NOTES

BEFORE STARTING ANY EXCAVATION IN THE CITY OF CHICAGO, THE CONTRACTOR SHALL CALL "C.U.A.N." AT (312) 744-7000 OR FOR FIELD LOCATIONS OF BURIED ELECTRIC, TELEPHONE AND GAS UTILITIES. 48 HOUR NOTIFICATION IS REQUIRED.

THE CONTRACTOR SHALL COORDINATE CONSTRUCTION ACTIVITIES WITH UTILITY COMPANIES, THE CITY OF CHICAGO AND THE VILLAGE OF SUMMIT.

IT SHALL BE THE CONTRACTOR'S RESPONSIBILITY TO VERIFY ALL DIMENSIONS & CONDITIONS EXISTING IN THE FIELD PRIOR TO CONSTRUCTION & ORDERING OF MATERIALS.

THE CONTRACTOR WILL NOT BE ALLOWED TO SET UP A YARD OR FIELD OFFICE ON STATE PROPERTY WITHOUT WRITTEN PERMISSION FROM THE DEPARTMENT.

THE CONTRACTOR SHALL CONTACT THE DISTRICT ONE TRAFFIC CONTROL SUPERVISOR AT (847)705-4470 A MINIMUM OF 72 HOURS IN ADVANCE OF BEGINNING WORK.

THE CONTRACTOR SHALL BE REQUIRED TO PROVIDE ACCESS TO ABUTTING PROPERTY AT ALL TIMES DURING THE CONSTRUCTION OF THIS PROJECT.

DO NOT SCALE PLANS FOR CONSTRUCTION DIMENSIONS.

ILLINOIS DEPARTMENT OF TRANSPORTATION

GENERAL NOTES

ROUTE	SECTION	COUNTY	TOTAL SHEETS	SHEET NUMBER
F.A.P. 348	2012-079BP	COOK	16	4

Contract 60V89

GENERAL NOTES FOR PAINT

CLEANING AND PAINTING OF THE EXISTING STRUCTURAL STEEL SHALL BE AS SPECIFIED IN THE SPECIAL PROVISION FOR "CLEANING AND PAINTING EXISTING STEEL STRUCTURES".

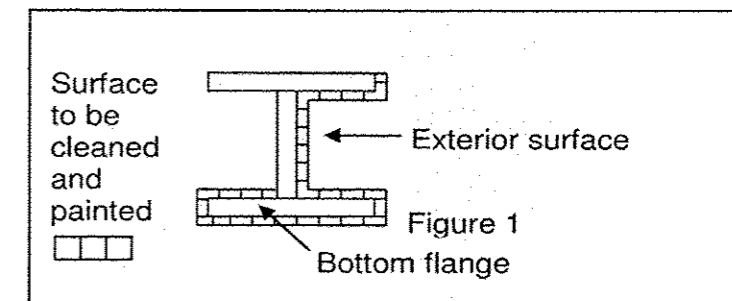
A MINIMUM OF ONE (1) AIR MONITORS WILL BE REQUIRED AT ALL LOCATIONS, TO MONITOR ABRASIVE BLASTING OPERATIONS. SEE SPECIAL PROVISION FOR "CONTAINMENT AND DISPOSAL OF LEAD PAINT CLEANING RESIDUE."

THE AREAS DESIGNATED TO BE CLEANED PER NEAR WHITE BLAST CLEANING SSPC-SP10 SHALL BE PAINTED ACCORDING TO THE REQUIREMENTS OF PAINT SYSTEM 1 - OZ/E/U. THE COLOR OF THE FINAL FINISH COAT FOR ALL INTERIOR STEEL SURFACES SHALL BE GRAY, MUNSELL NO 5B 7/1. THE COLOR OF THE FINAL FINISH COAT FOR THE EXTERIOR AND BOTTOM FLANGE OF THE FASCIA BEAMS SHALL BE REDDISH BROWN, MUNSELL NO 2.5YR 3/4.

ALL ITEMS (SUCH AS, BUT NOT LIMITED TO: CONDUITS, BRACKETS AND DECK DRAINS) ATTACHED TO THE OUTSIDE OF THE FASCIA BEAMS SHOULD BE CLEANED AND PAINTED.

(SN 016-0317, SN 016-0318)

ALL BEAMS, BEARINGS AND OTHER STRUCTURAL STEEL WITHIN FIVE (5) FT., (MEASURED ALONG THE BEAM) OF EITHER SIDE OF ALL DECK JOINTS, SHALL BE CLEANED PER NEAR WHITE BLAST CLEANING SSPC-SP10. THE EXTERIOR SURFACES AND TOP AND BOTTOM OF THE BOTTOM FLANGE OF THE FASCIA BEAMS (SEE FIGURE 1) SHALL BE CLEANED PER NEAR WHITE BLAST CLEANING SSPC-SP10.



FASCIA BEAM PAINTING DETAIL
FIGURE 1

ILLINOIS DEPARTMENT OF TRANSPORTATION

GENERAL PAINT NOTES

ROUTE	SECTION	COUNTY	TOTAL SHEETS	SHEET NUMBER
F.A.P. 348	2010-087BP	COOK	16	5

CONTRACT NO. 60V89

SUMMARY OF QUANTITIES

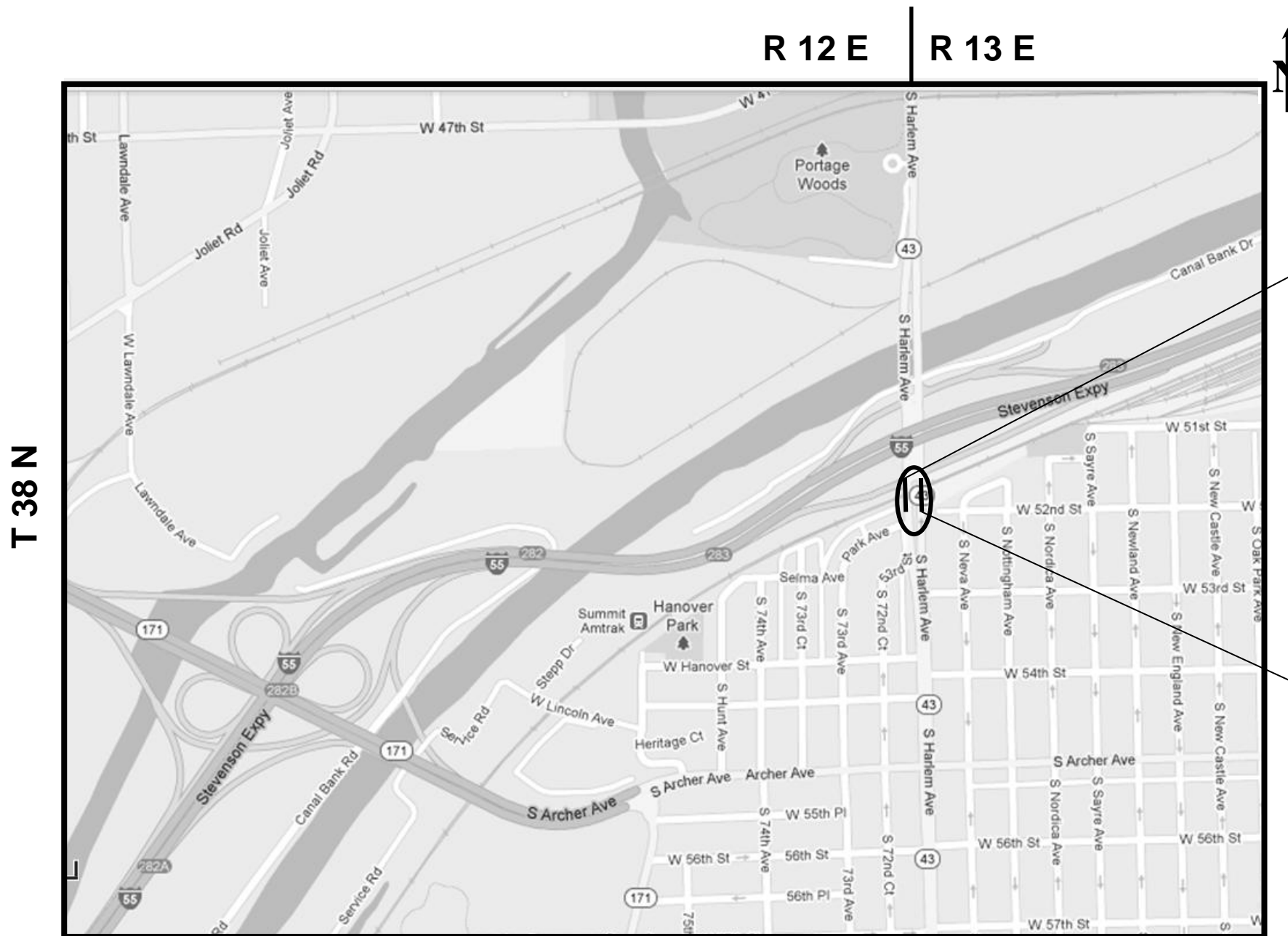
CODE NO	DESCRIPTION	UNITS	URBAN 100% STATE TOTAL	CONSTRUCTION TYPE CODE: 0014						
				LOC 1 016-0317	LOC 2 016-0318					
67000400	ENGINEER'S FIELD OFFICE, TYPE A	CAL MO	4	2	2					
67100100	MOBILIZATION	L SUM	1	0.50	0.50					
70102630	TRAFFIC CONTROL AND PROTECTION, STANDARD 701601	L SUM	1	0.50	0.50					
70102640	TRAFFIC CONTROL AND PROTECTION, STANDARD 701801	L SUM	1	0.50	0.50					
70200100	NIGHTTIME WORK ZONE LIGHTING	L SUM	1	0.50	0.50					
Z0007112	CONTAINMENT AND DISPOSAL OF LEAD PAINT CLEANING RESIDUES	L SUM	1	0.50	0.50					
Z0010501	CLEANING AND PAINTING STEEL BRIDGE NO. 1	L SUM	1	1						
Z0010502	CLEANING AND PAINTING STEEL BRIDGE NO. 2	L SUM	1		1					
Z0030850	TEMPORARY INFORMATION SIGNING	SQ FT	51.4	25.7	25.7					
Z0048665	RAILROAD PROTECTIVE LIABILITY INSURANCE	L SUM	1	0.50	0.50					

ILLINOIS DEPARTMENT OF
TRANSPORTATION

SUMMARY OF QUANTITIES

ROUTE	SECTION	COUNTY	TOTAL SHEETS	SHEET NUMBER
F.A.P. 348	2012-091BP	COOK	16	6

CONTRACT NO. 60V89



LOCATION 1:
SN 016-0317

SOUTHBOUND
IL 43 (HARLEM AVE.) OVER I.C.G.R.R.
CITY OF CHICAGO

LOCATION 2:
SN 016-0318

NORTHBOUND
IL 43 (HARLEM AVE.) OVER I.C.G.R.R.
CITY OF CHICAGO

TRAFFIC DATA:

IL-43 (HARLEM AVE):

2009 ADT = 43,800
POSTED SPEED LIMIT = 45 MPH

LYONS
TOWNSHIP

STICKNEY
TOWNSHIP

COOK COUNTY

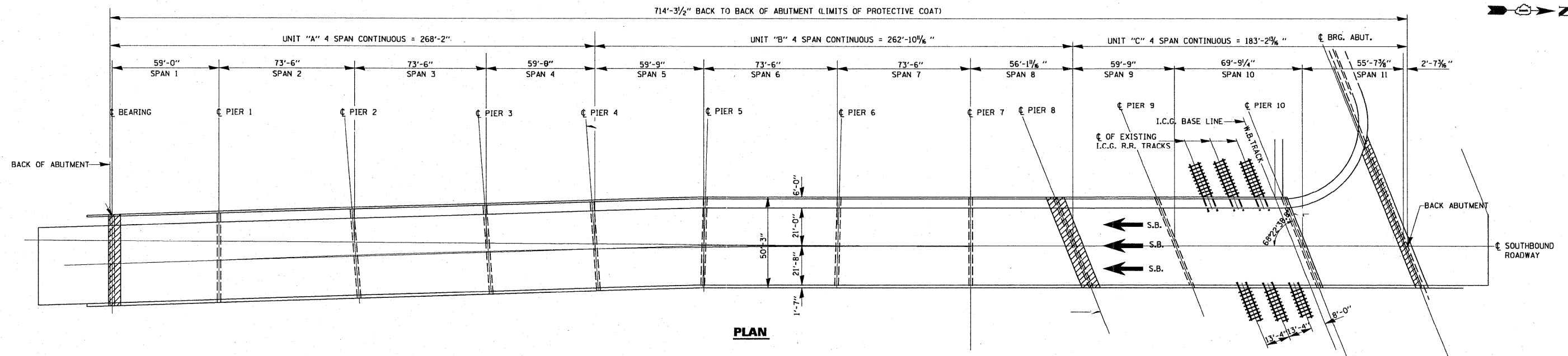
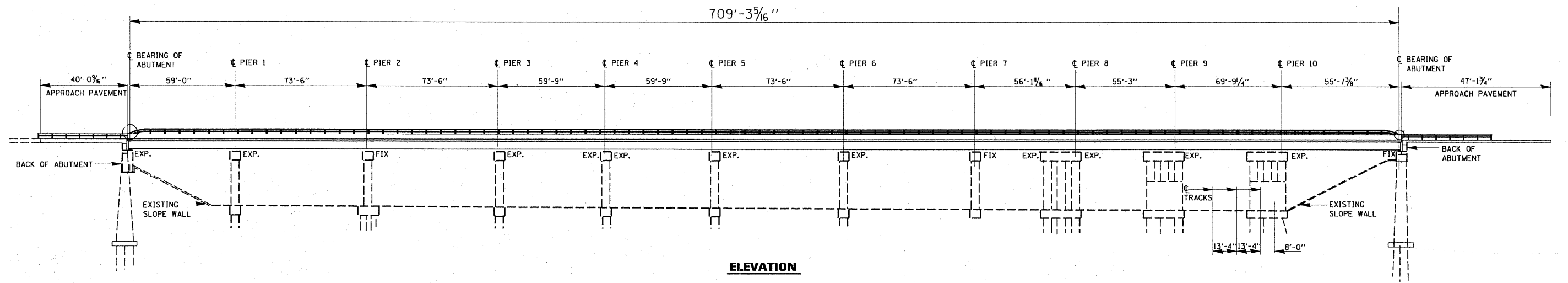
**ILLINOIS DEPARTMENT OF
TRANSPORTATION**

LOCATION MAP

LOCATION 1: SN 016-0317
LOCATION 2: SN 016-0318

ROUTE	SECTION	COUNTY	TOTAL SHEETS	SHEET NUMBER
F.A.P. 348	2012-079BP	COOK	16	7

CONTRACT NO. 60V89



FOR INFORMATION ONLY

**ILLINOIS DEPARTMENT OF
TRANSPORTATION**

EXISTING BRIDGE PLAN

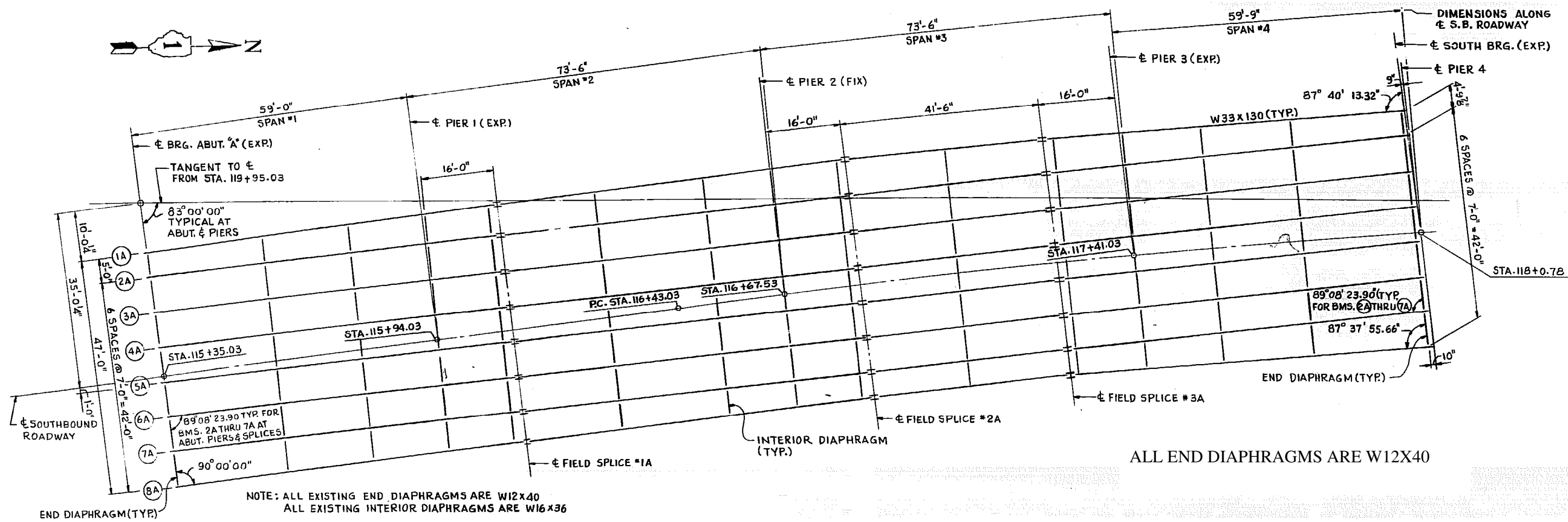
SN 016-0317

S.B. IL 43 (HARLEM AVE.) OVER I.C.G. R.R.

SHEET 1 OF 6

ROUTE	SECTION	COUNTY	TOTAL SHEETS	SHEET NUMBER
FAP 348	2012-079BP	COOK	16	8

CONTRACT NO. 60V89



NOTE: ALL EXISTING END DIAPHRAGMS ARE W12x40
ALL EXISTING INTERIOR DIAPHRAGMS ARE W16x36

ALL END DIAPHRAGMS ARE W12x40

UNIT 'A' STEEL BEAM FRAMING PLAN

ILLINOIS DEPARTMENT OF
TRANSPORTATION

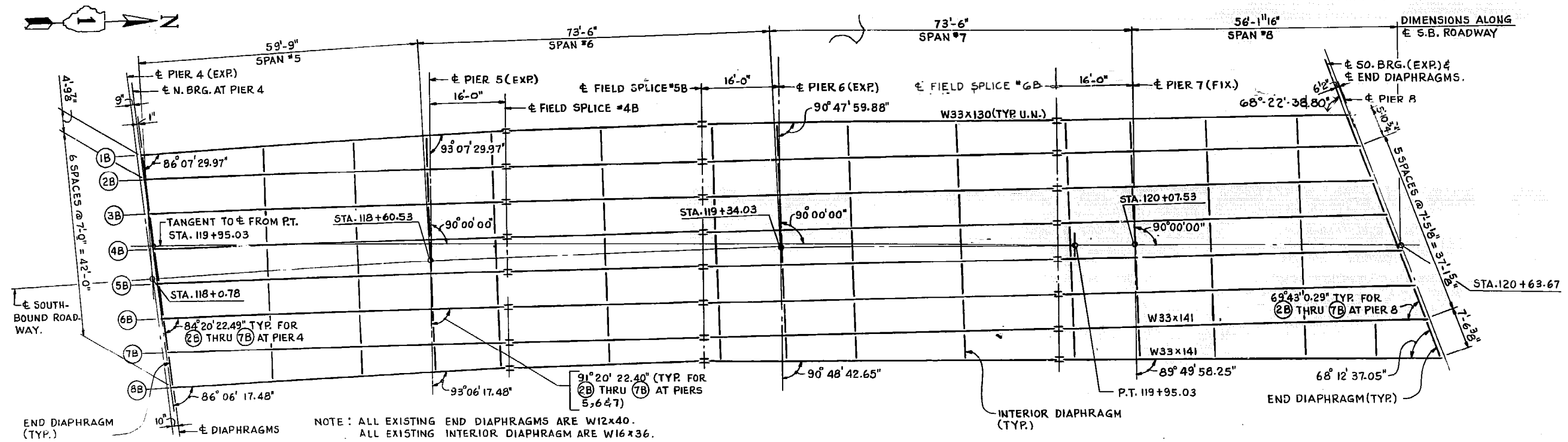
EXISTING BRIDGE PLAN

SN 016-0317
S.B. IL 43 (HARLEM AVE.) OVER I.C.G. R.R.

SHEET 2 OF 6

ROUTE	SECTION	COUNTY	TOTAL SHEETS	SHEET NUMBER
FAP 348	2012-079BP	COOK	16	9

CONTRACT NO. 60V89



ALL END DIAPHRAGMS ARE W12X40

UNIT 'B' STEEL BEAM FRAMING PLAN

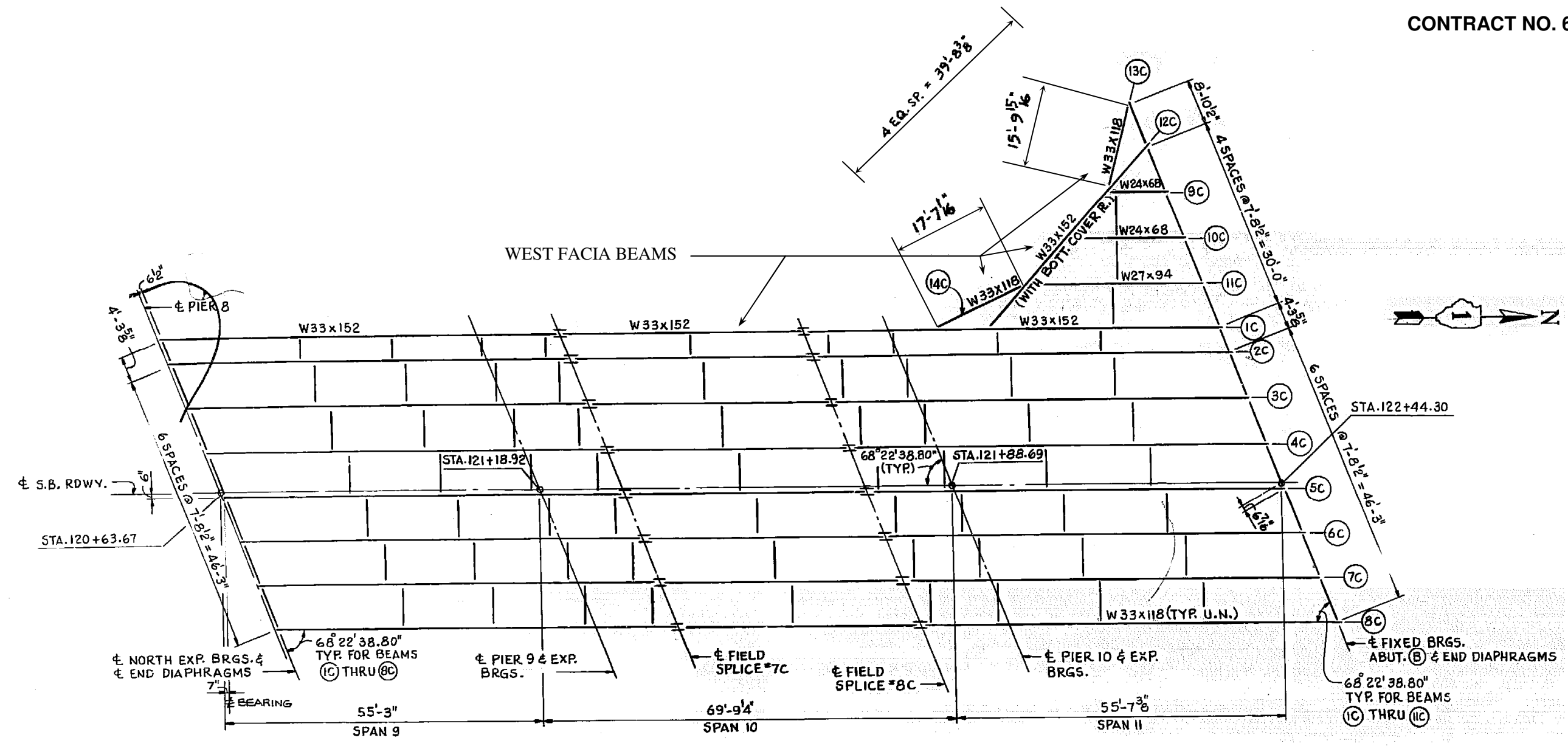
ILLINOIS DEPARTMENT OF
TRANSPORTATION

EXISTING BRIDGE PLAN

SN 016-0317
S.B. IL 43 (HARLEM AVE.) OVER I.C.G. R.R.

ROUTE	SECTION	COUNTY	TOTAL SHEETS	SHEET NUMBER
FAP 348	2012-079BP	COOK	16	10

CONTRACT NO. 60V89



NOTE: ALL EXISTING END END DIAPHRAGMS ARE W12x40
ALL EXISTING INTERIOR DIAPHRAGMS ARE W16x36

UNIT 'C' STEEL BEAM FRAMING PLAN

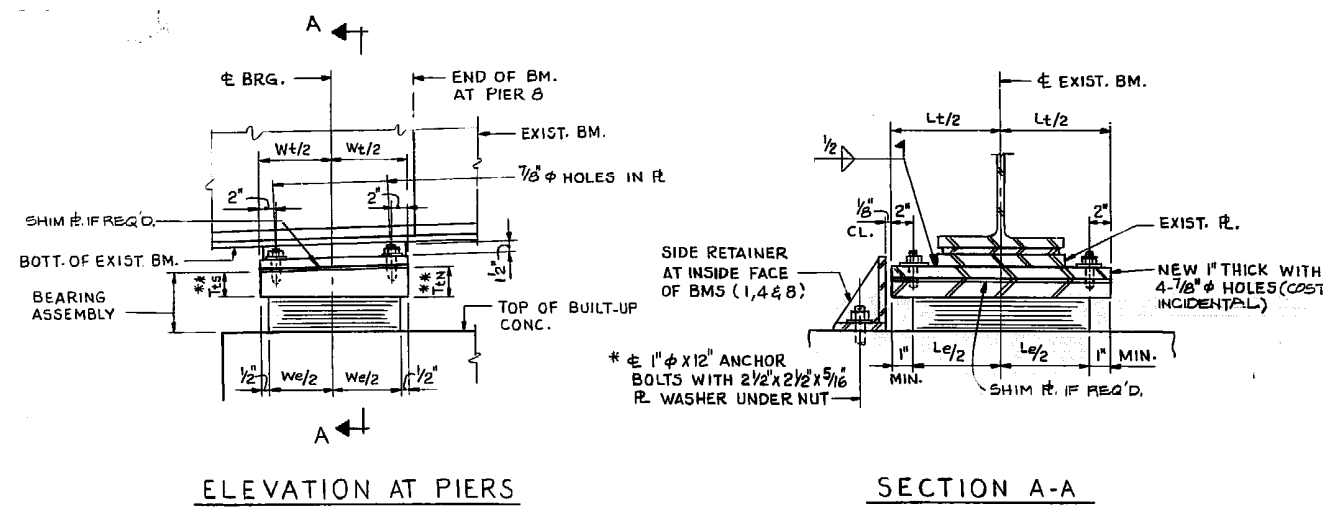
ILLINOIS DEPARTMENT OF
TRANSPORTATION

EXISTING BRIDGE PLAN

SN 016-0317

S.B. IL 43 (HARLEM AVE.) OVER I.C.G. R.R.

ROUTE FAP 348	SECTION 2012-079BP	COUNTY COOK	TOTAL SHEETS 16	SHEET NUMBER 11
-------------------------	------------------------------	-----------------------	---------------------------	---------------------------

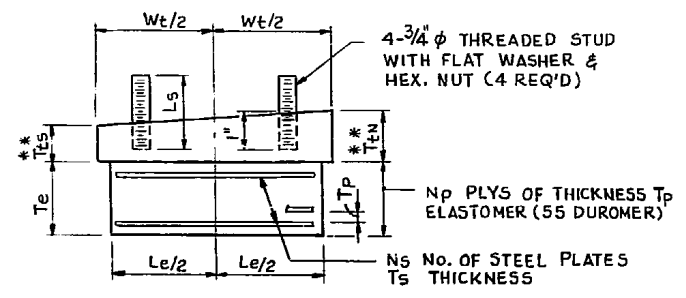


ELEVATION AT PIERS

SECTION A-A

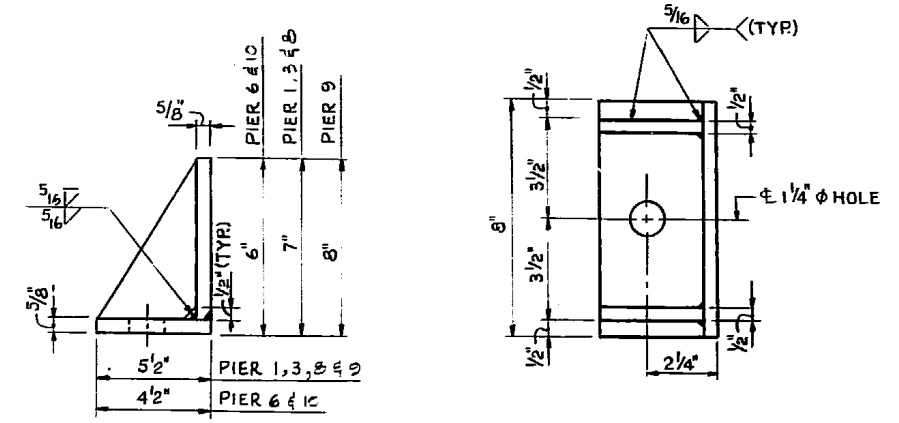
TYPE I ELASTOMERIC EXP. BRG.

** T_{ts} = THICKNESS OF SOUTH SIDE OF PLATE
 ** T_{tn} = THICKNESS OF NORTH SIDE OF PLATE

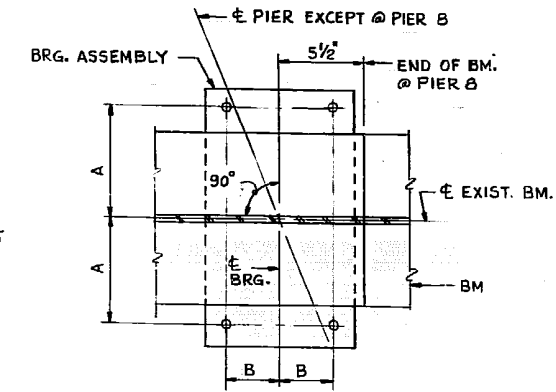


BEARING ASSEMBLY

NOTE: SHIM PLATES SHALL NOT BE PLACED UNDER BEARING ASSEMBLY



SIDE RETAINER
(18 REQ'D)

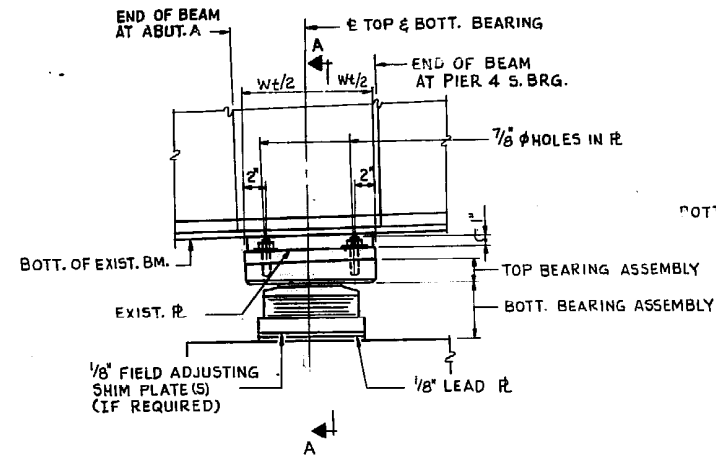


TYPICAL ORIENTATION OF BEARING ASSEMBLY

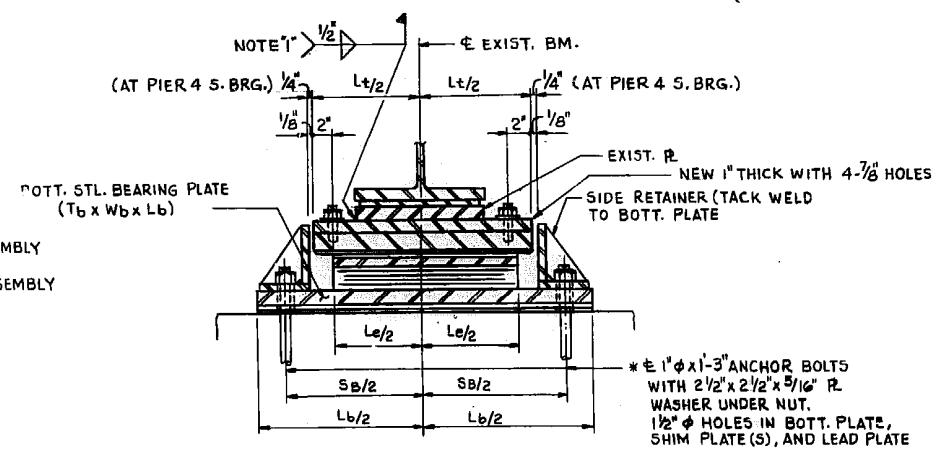
TABLE OF VARIABLES FOR EXPANSION BEARINGS			
VARIABLES		LOCATION	
		PIER 8 (SOUTH BRG.)	
		BM 1B	BM 2B THRU 8B
ELASTOMER	T_e (")	1 7/8	2 1/4
	W_e (")	6	9
	L_e (")	10	12
	T_p (")	5/16	3/8
	NP	5	5
	T_s (")	14 GA.	3/32
TOP PLATE	T_{tn} (")	4 1/2	4 1/2
	T_{ts} (")	4 7/16	4
	W_t (")	9	10
	L_t (")	20	20
	L_s (")	2 7/8	3
STUD	A (")	8	8
	B (")	2 1/2	3
No. REQ'D		1	7

ILLINOIS DEPARTMENT OF TRANSPORTATION
 EXISTING BRIDGE PLAN
 SN 016-0317
 S.B. IL 43 (HARLEM AVE.) OVER I.C.G. R.R.

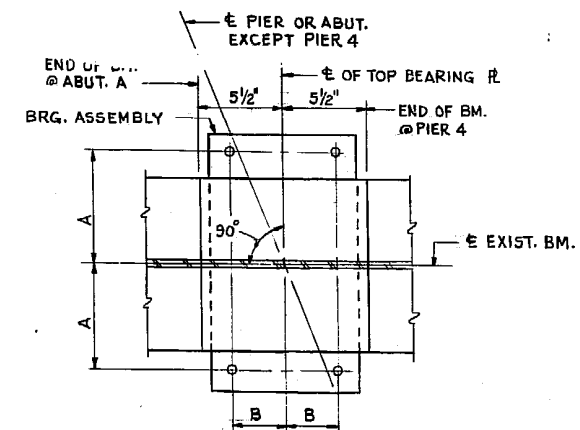
ROUTE FAP 348	SECTION 2012-079BP	COUNTY COOK	TOTAL SHEETS 16	SHEET NUMBER 12
-------------------------	------------------------------	-----------------------	---------------------------	---------------------------



SIDE VIEW

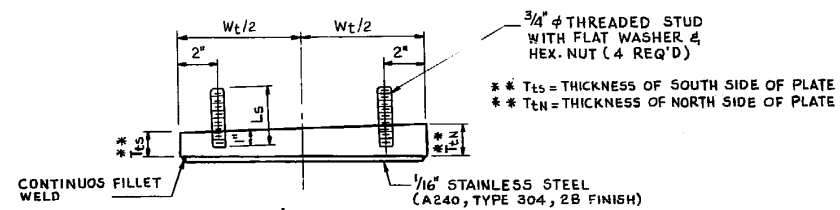


SECTION A-A

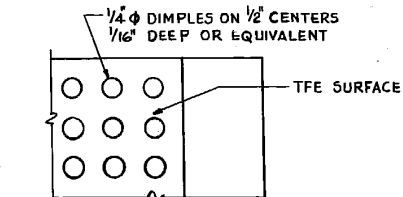


TYPICAL ORIENTATION OF BEARING ASSEMBLY

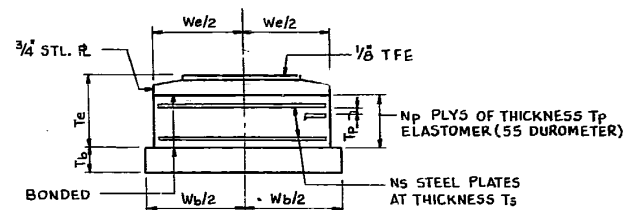
TYPE II ELASTOMERIC EXP. BRG.



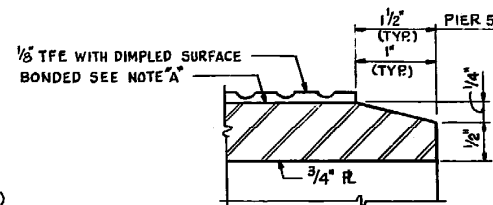
TOP BEARING ASSEMBLY



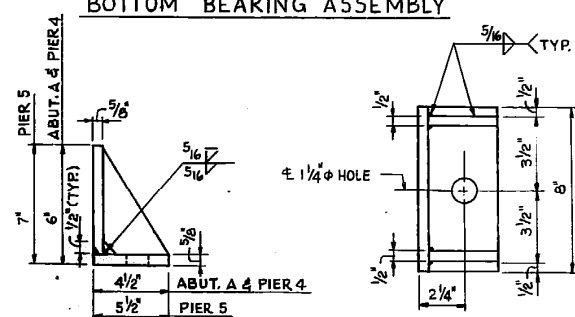
PLAN-TFE SURFACE



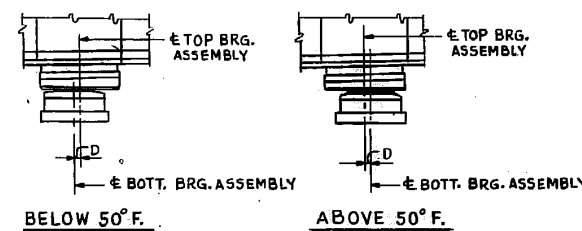
BOTTOM BEARING ASSEMBLY



SECTION THRU TFE



SIDE RETAINER
(48 REQ'D)



BELOW 50°F.

ABOVE 50°F.

TABLE OF VARIABLES FOR EXPANSION VARIABLES			
VARIABLES		LOCATION	
		ABUT. A BM IATHRU SA	PIER 4 (S. BRG.) BM IATHRU SA
ELASTOMER	Te (")	3/8"	3/8"
	We (")	7	7
	Le (")	12	12
	Tp (")	3/8	3/8
	NP	5	5
	Ts (")	3/32	3/32
	Ns	4	4
TOP PLATE	TtN (")	2 1/4	2 1/4
	Tts (")	2	2
	Wt (")	9	9
	Lt (")	20	20
	Ls (")	2 7/8	2 7/8
STUD BOT. PLATE	Tb (")	1 3/8	1 3/8
	Wb (")	8	8
	Lb (")	29 3/4	30
	Sb (")	24 3/4	25
STUD	A (")	8	8
	B (")	2 1/2	2 1/2
NO. REQ'D		8	8

ILLINOIS DEPARTMENT OF TRANSPORTATION

EXISTING BRIDGE PLAN

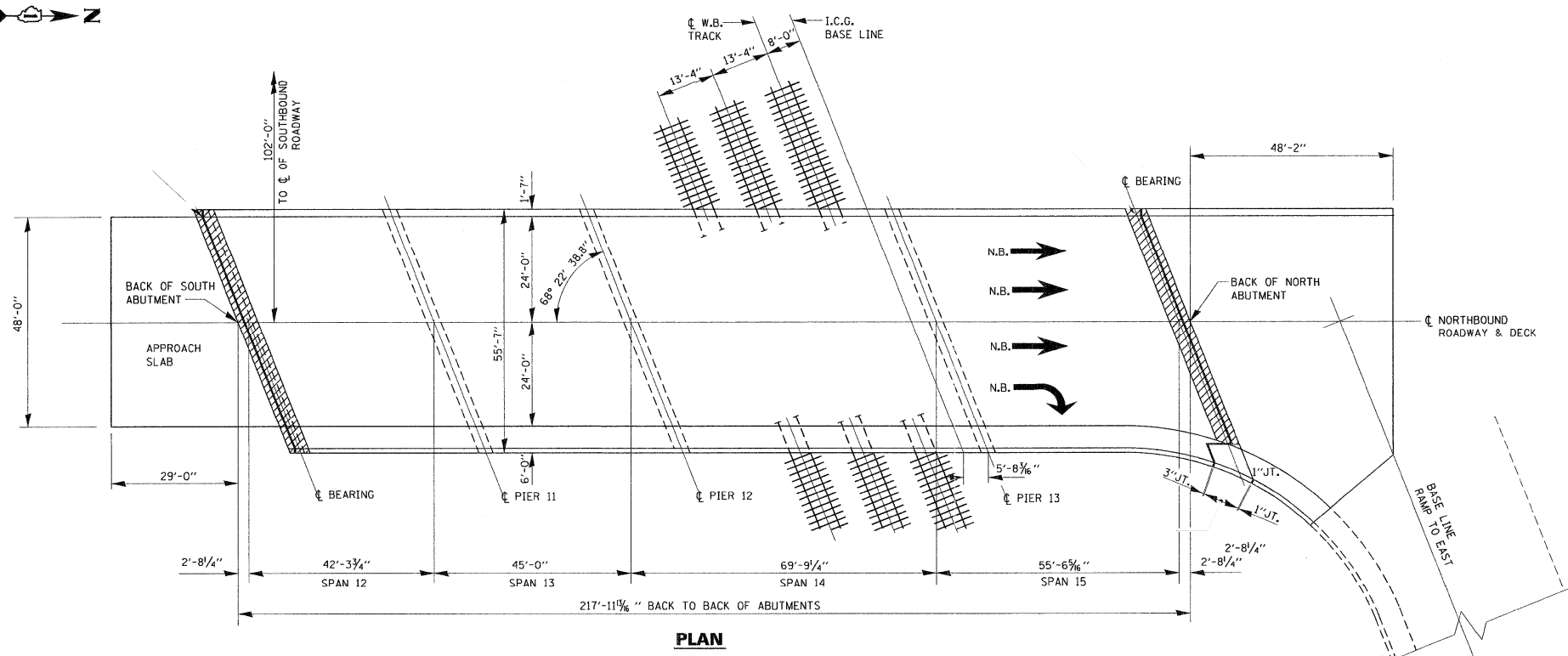
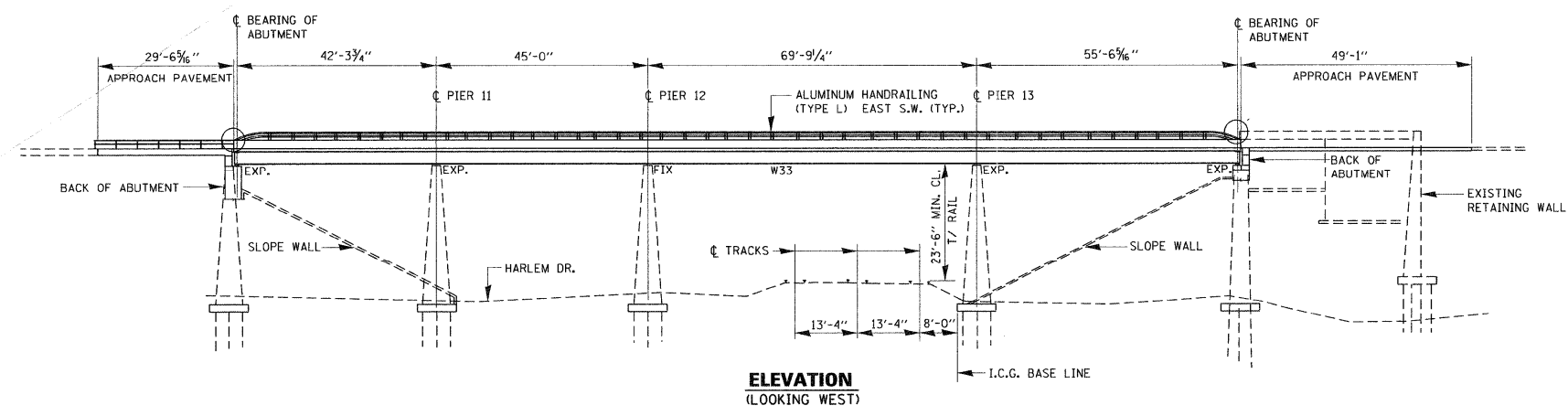
SN 016-0317

S.B. IL 43 (HARLEM AVE.) OVER I.C.G. R.R.

SHEET 6 OF 6

ROUTE	SECTION	COUNTY	TOTAL SHEETS	SHEET NUMBER
FAP 348	2012-079BP	COOK	16	13

CONTRACT NO. 60V89



FOR INFORMATION ONLY

**ILLINOIS DEPARTMENT OF
TRANSPORTATION**

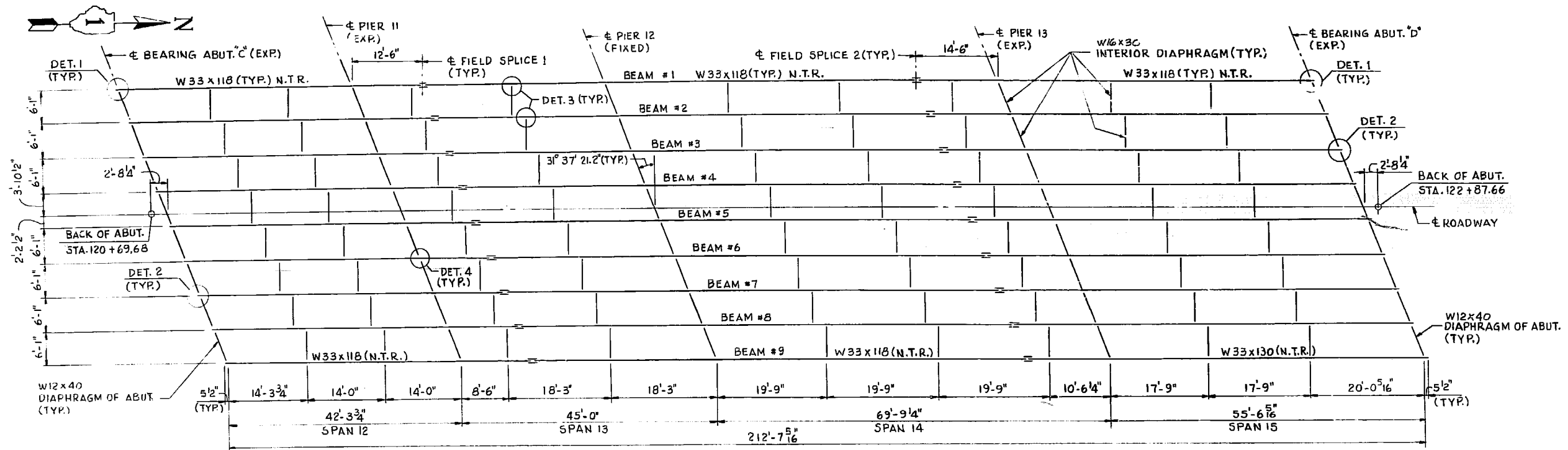
EXISTING BRIDGE PLAN

SN 016-0318

N.B. IL 43 (HARLEM AVE.) OVER I.C.G. R.R.

ROUTE	SECTION	COUNTY	TOTAL SHEETS	SHEET NUMBER
FAP 348	2012-079BP	COOK	16	14

CONTRACT NO. 60V89



NOTE : ALL DIAPHRAGMS AT ABUTS. ARE W12x40
ALL OTHER DIAPHRAGMS ARE W16x36

FRAMING PLAN

NOTE

ONLY THE SPECIFIED BEAM SECTION OF BEAM #9 IS W33X130. ALL OTHER BEAMS ARE W33X118

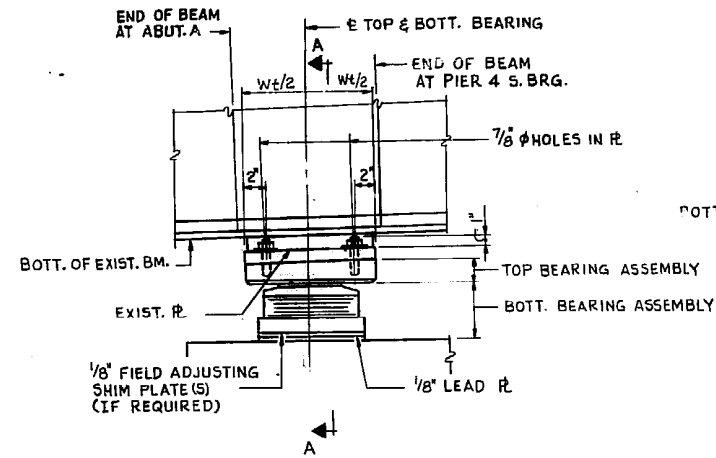
SHEET 2 OF 3

**ILLINOIS DEPARTMENT OF
TRANSPORTATION**

EXISTING BRIDGE PLAN

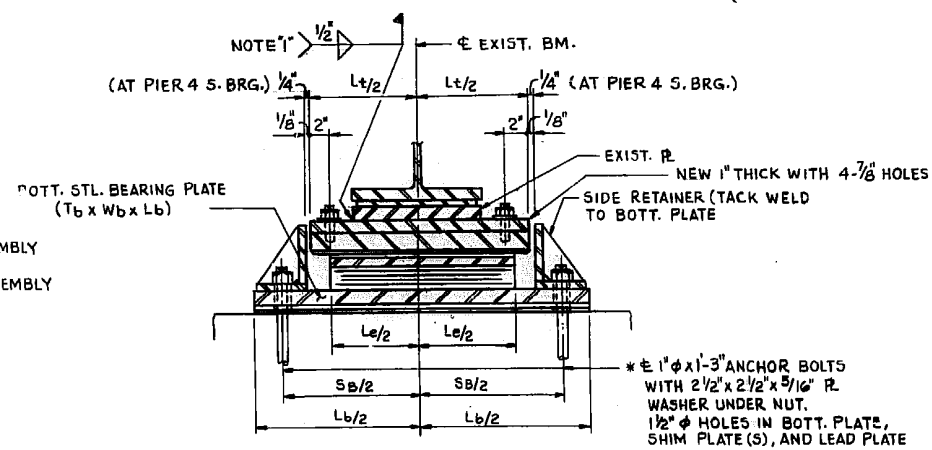
SN 016-0318
N.B. IL 43 (HARLEM AVE.) OVER I.C.G. R.R.

ROUTE F.A.P. 348	SECTION 2012-079BP	COUNTY COOK	TOTAL SHEETS 16	SHEET NUMBER 15
----------------------------	------------------------------	-----------------------	---------------------------	---------------------------

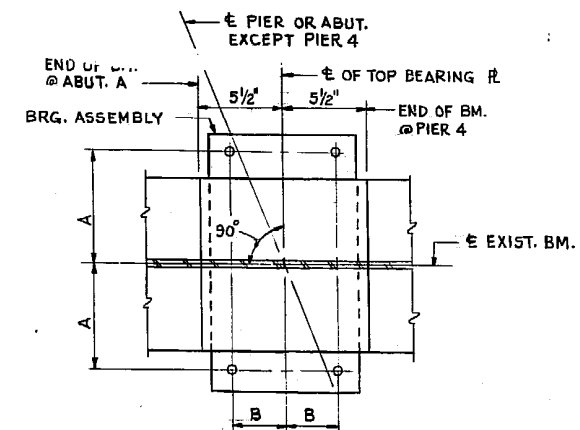


SIDE VIEW

TYPE II ELASTOMERIC EXP. BRG.

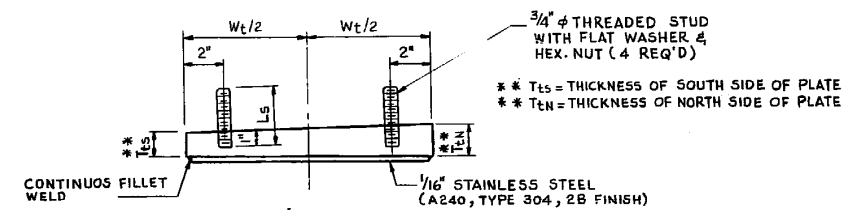


SECTION A-A

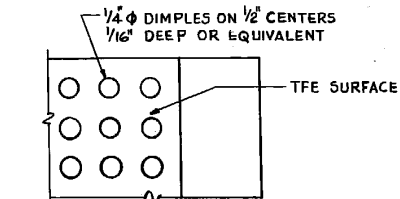


TYPICAL ORIENTATION OF BEARING ASSEMBLY

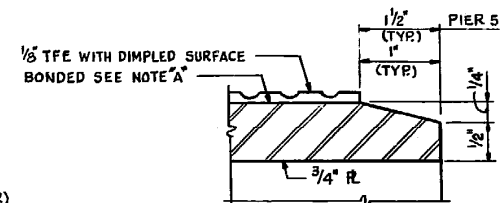
TABLE OF VARIABLES FOR EXPANSION VARIABLES			
VARIABLES	LOCATION		
	ABUT. 'C' BM 1 THRU 9	ABUT. 'D' BM 1 THRU 9	
ELASTOMER	T _e (n)	3 1/8	3 1/2
	W _e (n)	7	7
	L _e (n)	12	12
	T _p (n)	3/8	3/8
	N _p (n)	5	5
TOP PLATE	T _t (n)	2	2
	W _t (n)	8	8
	L _t (n)	14	14
	S _t (n)	2 7/8	2 7/8
BOTT. PLATE	T _b (n)	1 1/4	1 1/4
	W _b (n)	8	8
	S _b (n)	18 1/2	18 1/2
STUD	A (n)	3 3/4	3 3/4
	B (n)	2	2
No. REQ'D		9	9



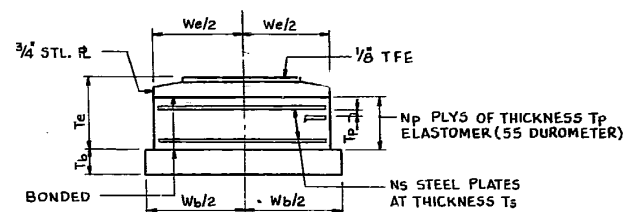
TOP BEARING ASSEMBLY



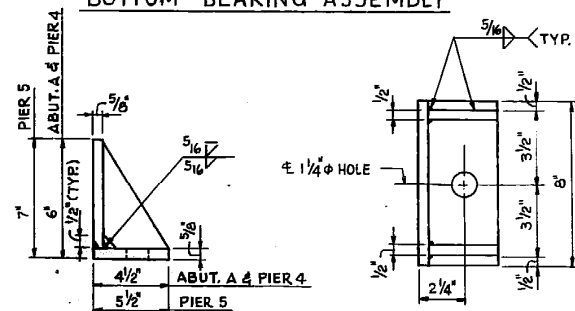
PLAN-TFE SURFACE



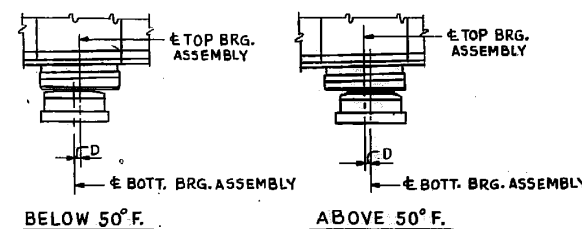
SECTION THRU TFE



BOTTOM BEARING ASSEMBLY



SIDE RETAINER
(48 REQ'D)



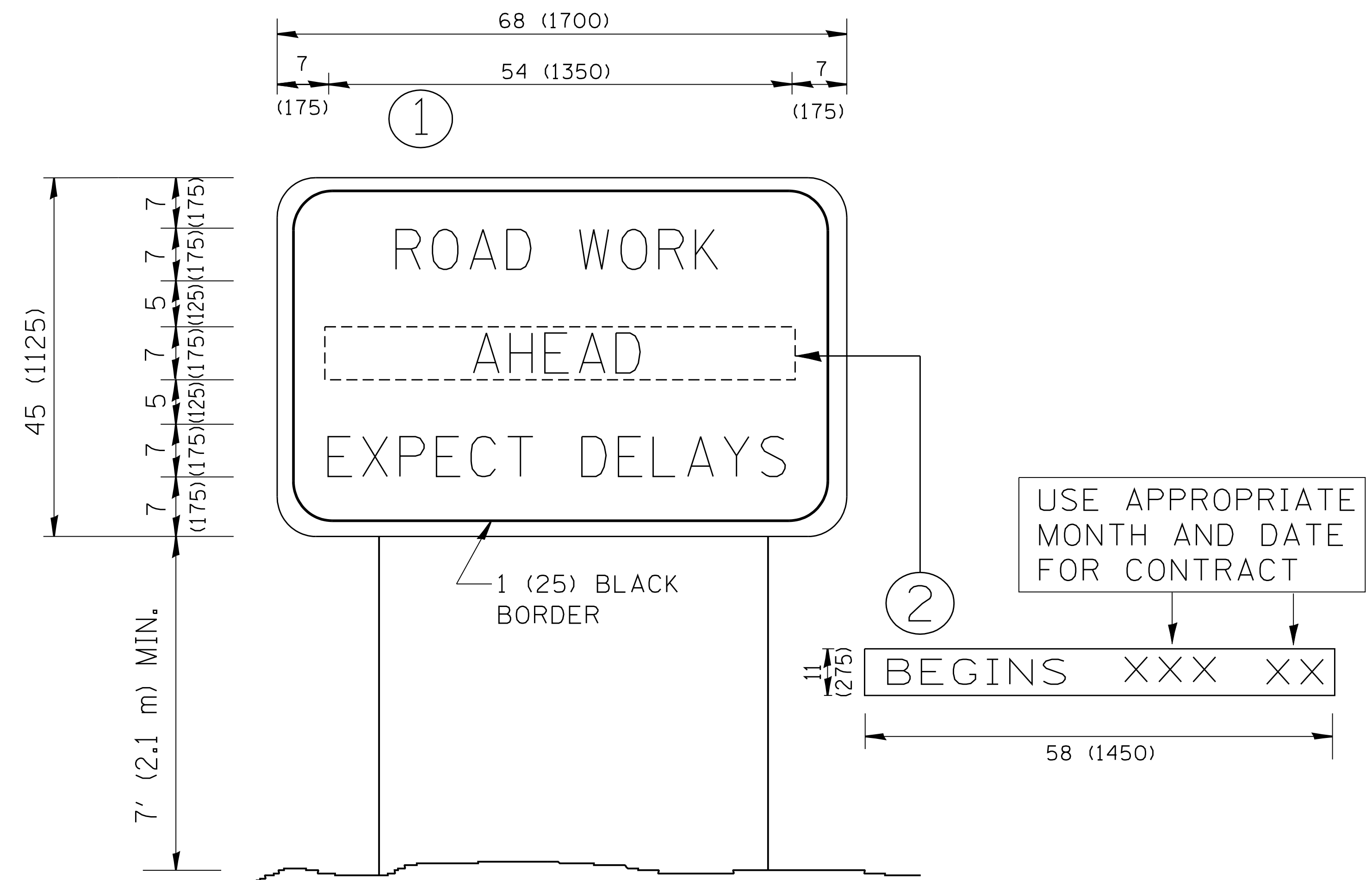
BELOW 50° F.

ABOVE 50° F.

SHEET 3 OF 3

**ILLINOIS DEPARTMENT OF
TRANSPORTATION
EXISTING BRIDGE PLAN**

**SN 016-0318
N.B. IL 43 (HARLEM AVE.) OVER I.C.G. R.R.**



NOTES:

1. USE BLACK LETTERING ON ORANGE BACKGROUND.
2. ERECT SIGNS IN ADVANCE OF THE LOCATION FOR THE "ROAD CONSTRUCTION AHEAD" SIGN AT LOCATIONS AS DIRECTED BY THE ENGINEER.
3. ERECT SIGN ① WITH INSTALLED PANEL ② ONE WEEK PRIOR TO THE START OF CONSTRUCTION.
4. REMOVE PANEL ② SOON AFTER THE START OF CONSTRUCTION.
5. SEE SPECIAL PROVISION FOR "TEMPORARY INFORMATION SIGNING" FOR ADDITIONAL INFORMATION.
6. ONE SIGN ASSEMBLY EQUALS 25.70 SQ. FT. (2.3 SQ. M.)
7. SHALL BE PAID FOR AS TEMPORARY INFORMATION SIGNING.

ALL DIMENSIONS ARE IN INCHES (MILLIMETERS) UNLESS OTHERWISE SHOWN.

FILE NAME = W:\diststd\22x34\tc22.dgn	USER NAME = gaglianobt	DESIGNED - DRAWN -	REVISED - REVISED -
		CHECKED -	REVISED -
		DATE -	REVISED -

**STATE OF ILLINOIS
DEPARTMENT OF TRANSPORTATION**

**ARTERIAL ROAD
INFORMATION SIGN**

SCALE: NONE SHEET NO. 1 OF 1 SHEETS STA. TO STA.

F.A. RTE.	SECTION	COUNTY	TOTAL SHEETS	SHEET NO.
TC-22		CONTRACT NO.		
FED. ROAD DIST. NO. 1 ILLINOIS FED. AID PROJECT				