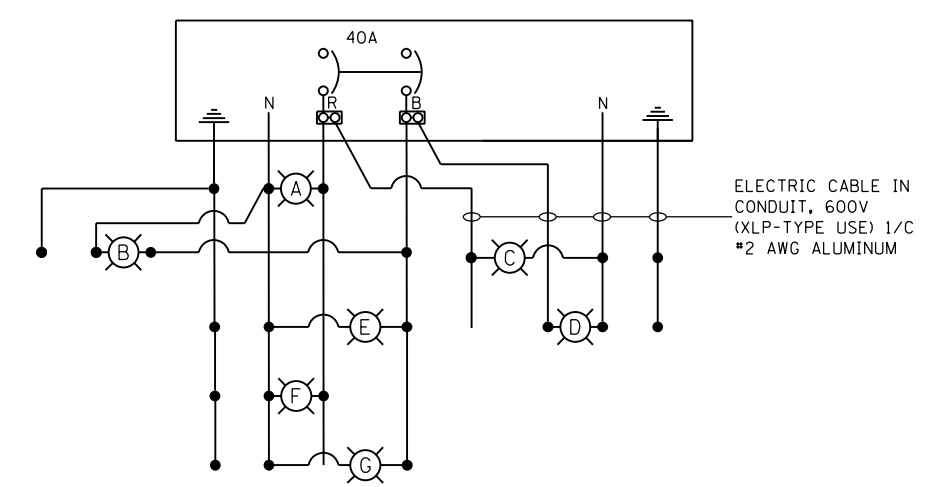


**TEMPORARY CABLE PLAN**  
STAGE 1, STAGE 1A, AND STAGE 2 CONSTRUCTION

THE TRAFFIC SIGNAL CONTROL EQUIPMENT FOR THIS PROJECT SHALL BE "EAGLE" TO MATCH THE EXISTING ADJACENT SYSTEM.

**NOTE:**  
THE TEMPORARY CABLE PLAN AS DEPICTED ABOVE, WILL REMAIN IN EFFECT FOR FOR THE DURATION OF STAGE 1, STAGE 1A, AND STAGE 2, AND UNTIL THE AT GRADE RAILROAD CROSSING IS REMOVED FROM SERVICE.



**LIGHTING CIRCUIT DIAGRAM**

**I.D.O.T. TRAFFIC SIGNAL INSTALLATION ELECTRICAL SERVICE REQUIREMENTS**

TYPE	NO LAMPS	WATTAGE		% OPERATION	TOTAL WATTAGE
		H.I.D.	LED		
SIGNAL (RED)	13		17	0.50	110.5
(YELLOW)	13		25	0.25	81.25
(GREEN)	13		15	0.25	48.75
ARROW	30		12	0.10	36
PED. SIGNAL	2		25	1.00	50
ILLUM. SIGN	2		25	0.10	5
FLASHER	-		100	1.00	-
VIDEO SYSTEM	1		150	1.00	150
LUMINAIRE	7	400		0.50	1400
<b>TOTAL =</b>					<b>1881.5</b>

**ENERGY COST TO:**  
VILLAGE OF BENSENVILLE  
700 WEST IRVING PARK ROAD  
BENSENVILLE, ILLINOIS 60133

**ENERGY SUPPLY CONTACT:** CURTIS TOPPS  
PHONE: 630-691-4356  
COMPANY: COMED

**SINGH**  
300 W. ADAMS ST.  
CHICAGO, IL 60606  
SINGH & ASSOCIATES, INC. TEL: (312) 629-0240  
CONSULTING ENGINEERS FAX: (312) 629-8449

USER NAME = user	DESIGNED - VP	REVISED -
PLOT SCALE = #SCALE#	DRAWN - YJ	REVISED -
PLOT DATE = 11/2/2012	CHECKED - LGP/GR	REVISED -
	DATE - 11-02-2012	REVISED -

**STATE OF ILLINOIS**  
**DEPARTMENT OF TRANSPORTATION**

**TEMPORARY CABLE PLAN, STAGE 1, STAGE 1A, AND STAGE 2**  
**IL ROUTE 19 (IRVING PARK RD.) AT YORK ROAD**

SCALE: NTS SHEET NO. 4 OF 23 SHEETS STA. TO STA.

F.A.U. RTE. 1321	SECTION 32VB	COUNTY	TOTAL SHEETS 388	SHEET NO. 116
CONTRACT NO. 60W01				
ILLINOIS FED. AID PROJECT				