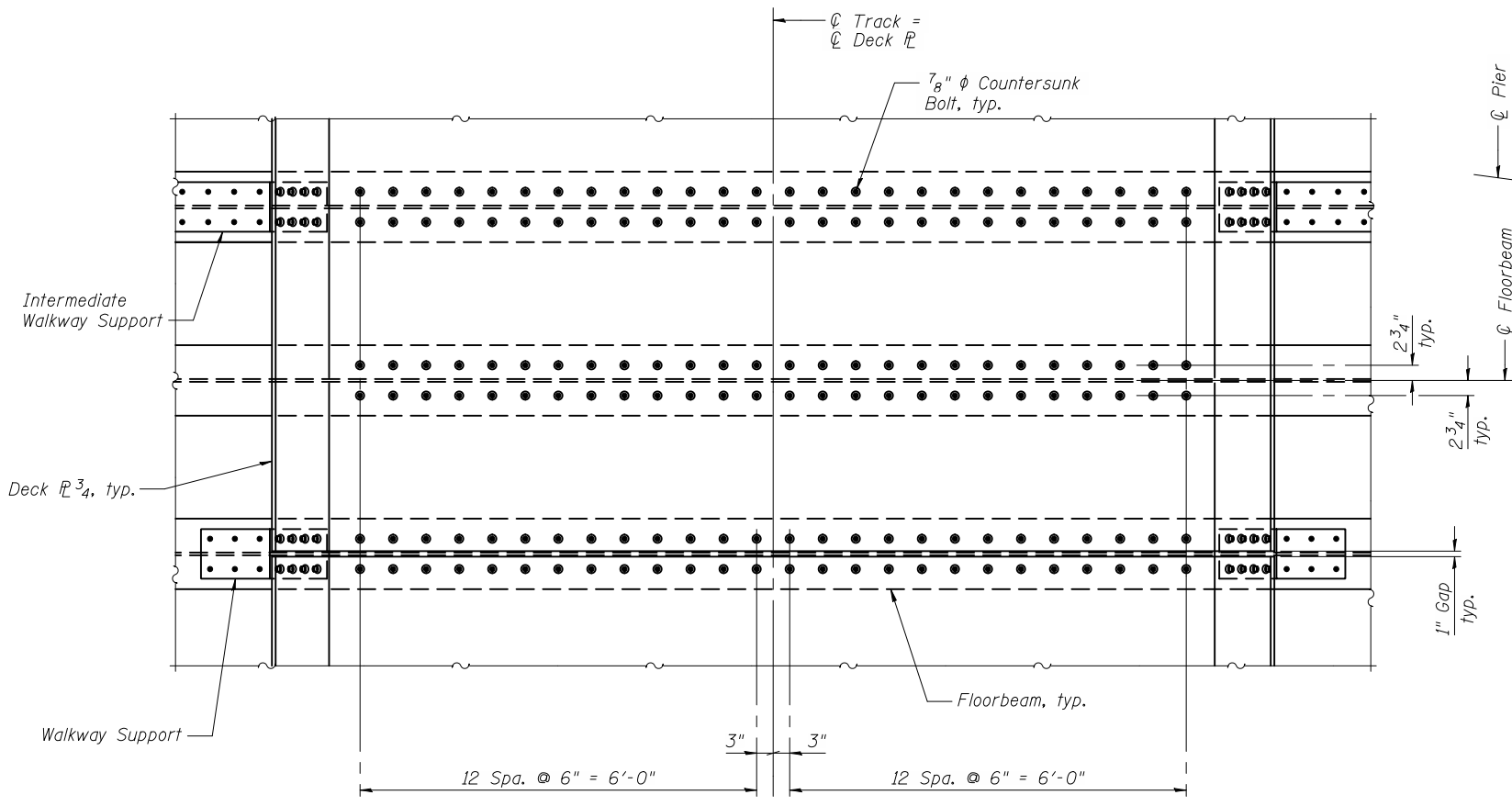
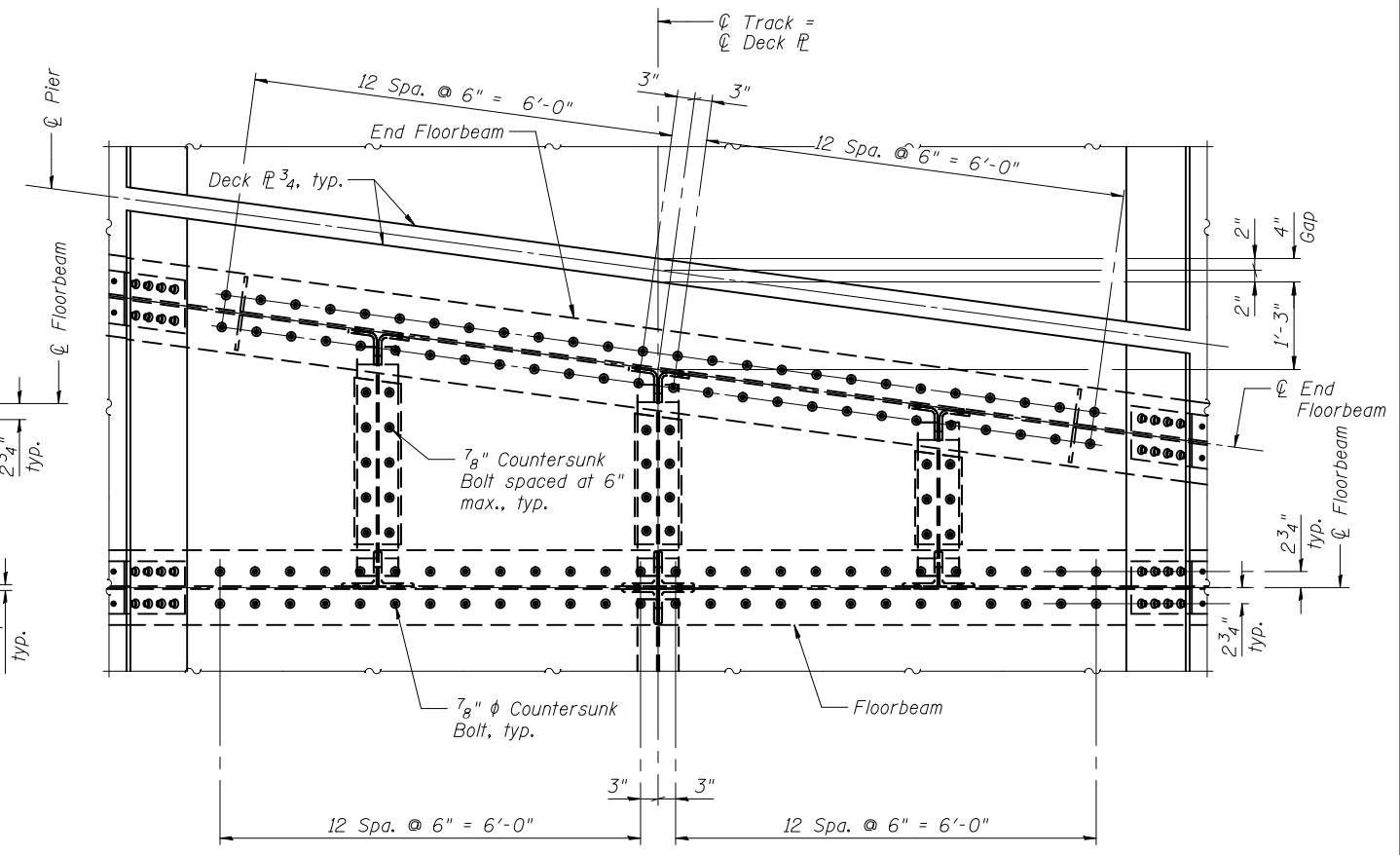


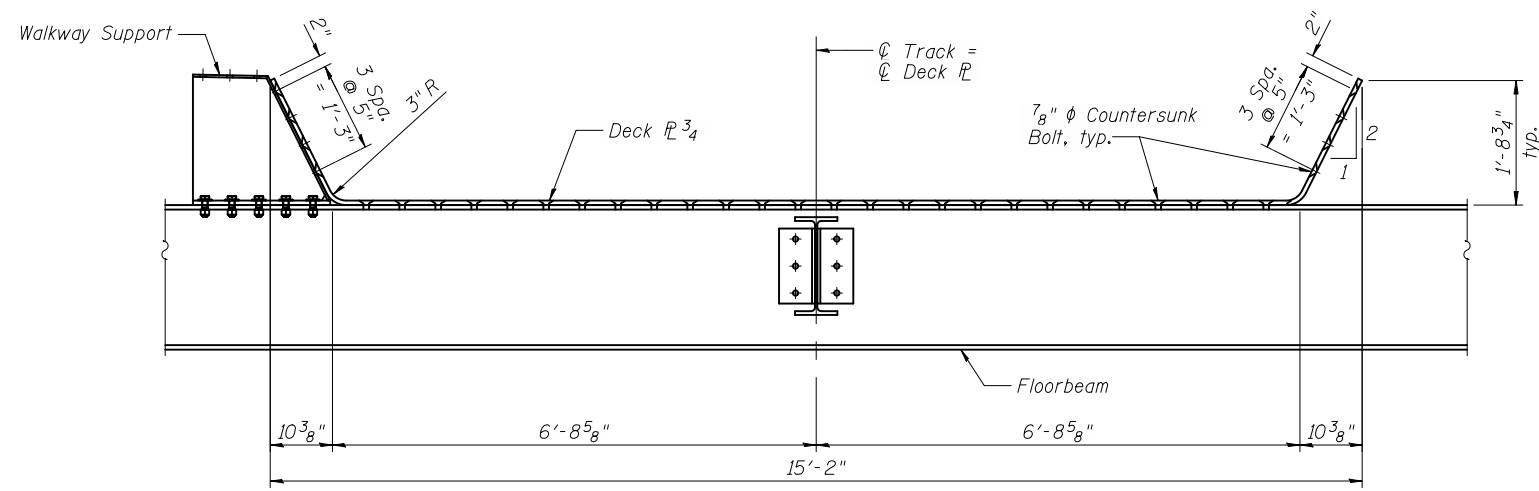
11/22/2012 11:22:00 AM
 c:\pwworking\oma\0463409\0220226-60842-005-DPD.DGN
 jmiqus



DECK PLATE TYPICAL PLAN



DECK PLATE PLAN AT PIER



TYPICAL DECK PLATE SECTION

Note:
 See Sheet No. 4 for deck
 plate layout.



USER NAME = jmiqus	DESIGNED - AMM	REVISED -
FILE NAME = 0220226-60842-005-DPD.DGN	CHECKED - LAG	REVISED -
PLOT SCALE = NONE	DRAWN - RMA	REVISED -
PLOT DATE = 11/2/2012	CHECKED - AMM	REVISED -

**STATE OF ILLINOIS
 DEPARTMENT OF TRANSPORTATION**

**DECK PLATE DETAILS
 STRUCTURE NO. 022-0226**

SHEET NO. 5 OF 43 SHEETS

F.A.U. RTE.	SECTION	COUNTY	TOTAL SHEETS	SHEET NO.
1321	32VB	DU PAGE	388	146
CONTRACT NO. 60W01				
ILLINOIS FED. AID PROJECT				