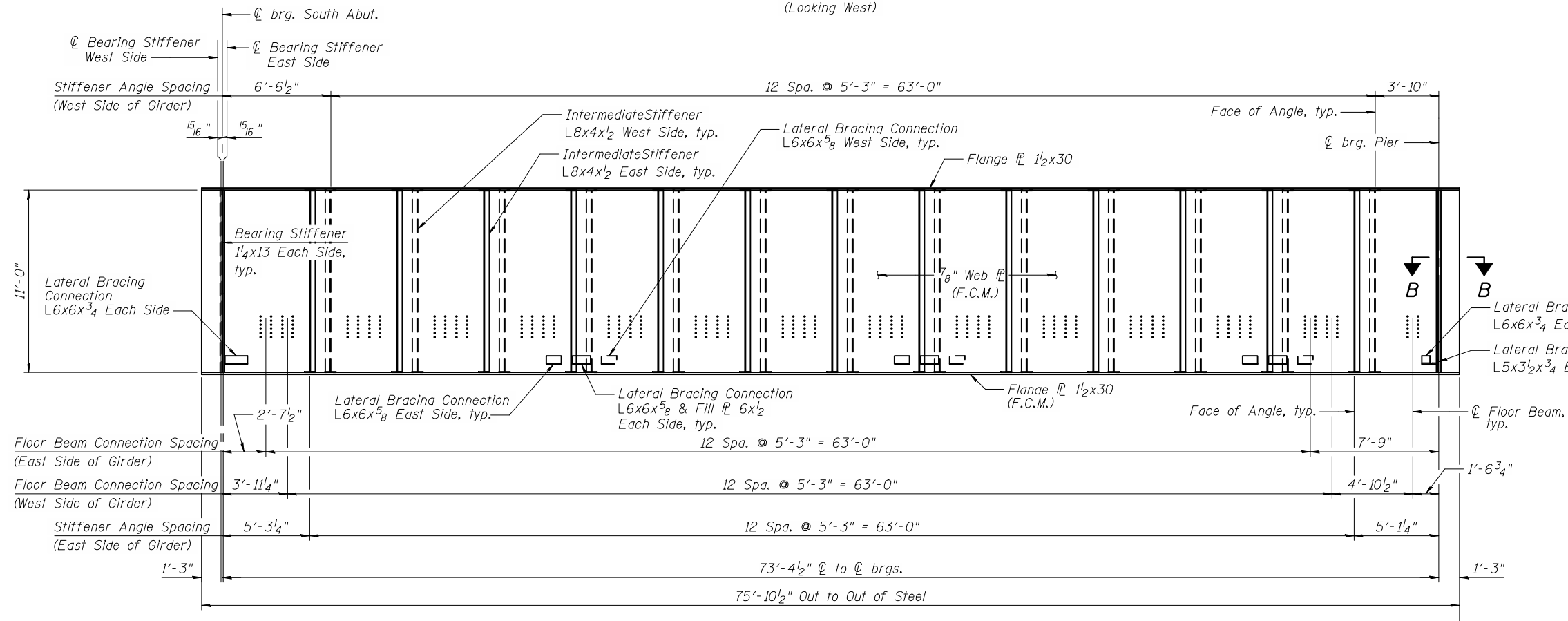
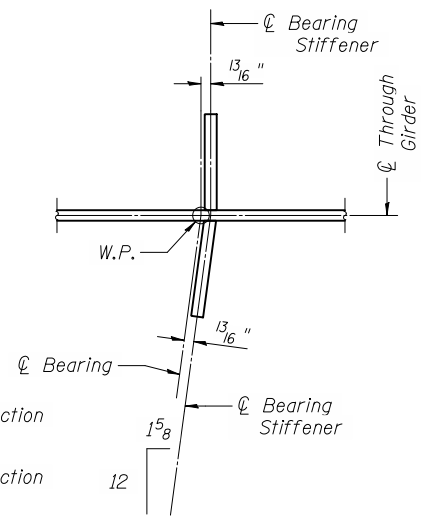


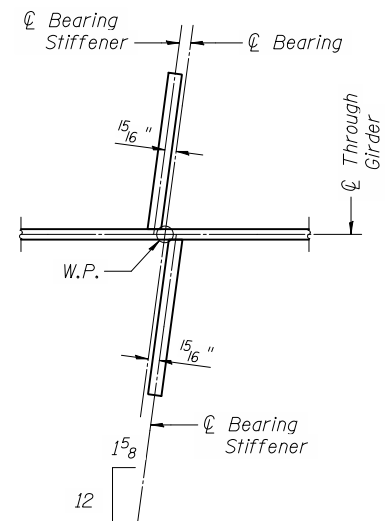
SPAN 1 WEST THROUGH GIRDER INSIDE ELEVATION
(Looking West)



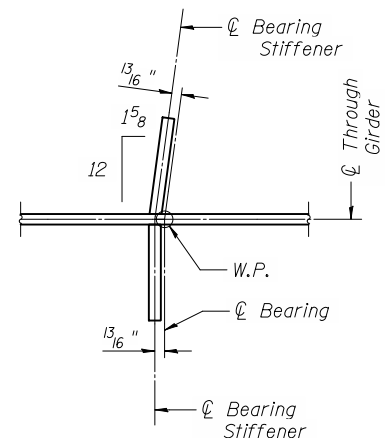
SPAN 1 CENTER THROUGH GIRDER ELEVATION
(Looking West)



SECTION A-A



SECTION B-B



SECTION C-C

- Notes:
 1. W.P. = Working Point
 2. F.C.M. denotes fracture critical member.

ca:\pwworking\oma\0463409\0220226-60842-009-60E.DGN
jmgus

11/2/2012
11:22:37 AM



USER NAME = jmgus
 FILE NAME = 0220226-60842-009-GDE.DGN
 PLOT SCALE = NONE
 PLOT DATE = 11/2/2012

DESIGNED - AMM
 CHECKED - LAG
 DRAWN - RMA
 CHECKED - AMM

REVISED -
 REVISED -
 REVISED -
 REVISED -

**STATE OF ILLINOIS
 DEPARTMENT OF TRANSPORTATION**

**THROUGH GIRDER ELEVATIONS 1
 STRUCTURE NO. 022-0226**

SHEET NO. 9 OF 43 SHEETS

F.A.U. R.T.E.	SECTION	COUNTY	TOTAL SHEETS	SHEET NO.
1321	32VB	DU PAGE	388	150
CONTRACT NO. 60W01				
ILLINOIS FED. AID PROJECT				