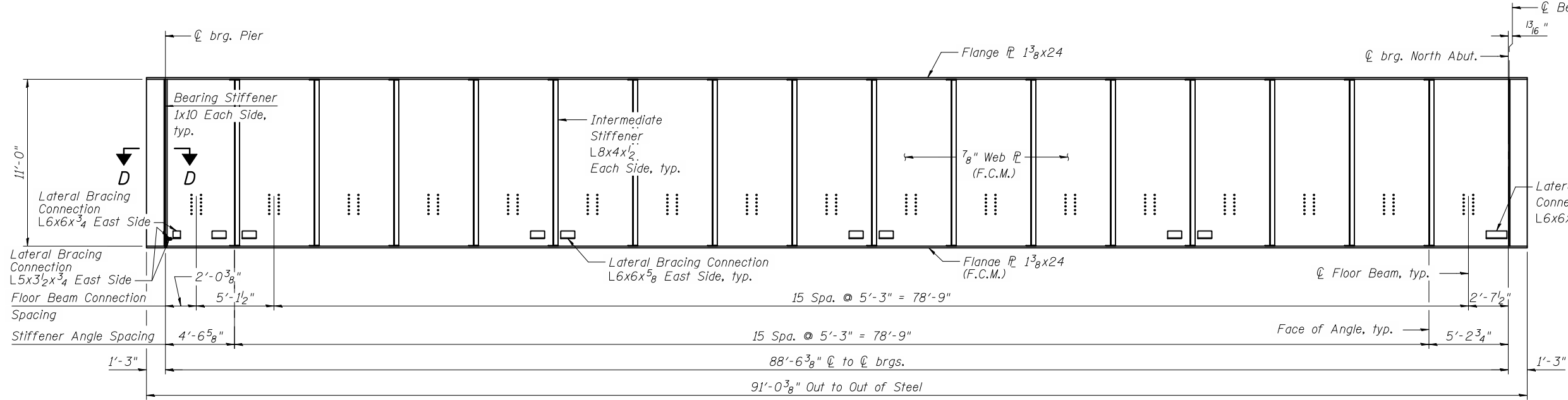
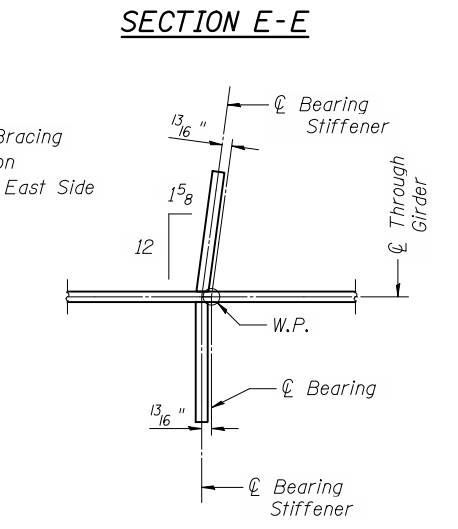
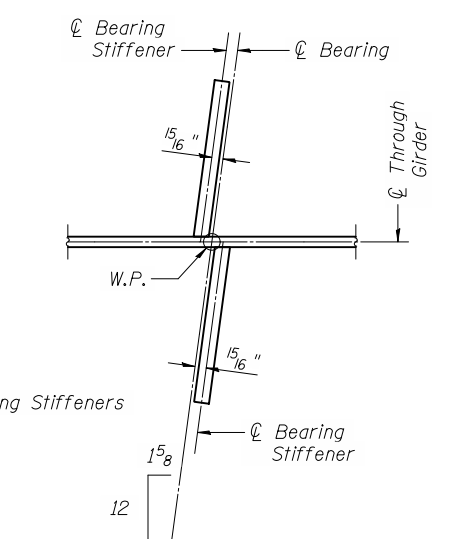
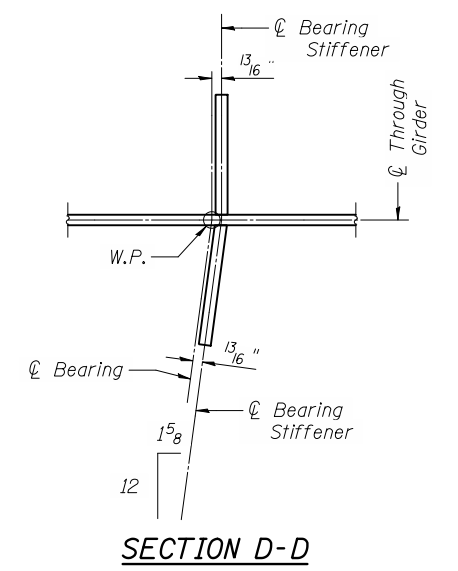


**SPAN 1 EAST THROUGH GIRDER OUTSIDE ELEVATION**  
(Looking West)



**SPAN 2 WEST THROUGH GIRDER INSIDE ELEVATION**  
(Looking West)

- Notes:  
 1. W.P. = Working Point  
 2. F.C.M. denotes fracture critical member.  
 3. For Section C-C, see Sheet No. 9.

cc:\pwworking\oma\0463409\0220226-60B42-010-GDE.DGN  
jmlgus

11/2/2012 11:22:47 AM



USER NAME = jmlgus	DESIGNED - AMM	REVISED -
FILE NAME = 0220226-60B42-010-GDE.DGN	CHECKED - LAG	REVISED -
PLOT SCALE = NONE	DRAWN - RMA	REVISED -
PLOT DATE = 11/2/2012	CHECKED - AMM	REVISED -

**STATE OF ILLINOIS  
DEPARTMENT OF TRANSPORTATION**

**THROUGH GIRDER ELEVATIONS 2  
STRUCTURE NO. 022-0226**

SHEET NO. 10 OF 43 SHEETS

F.A.U. RTE.	SECTION	COUNTY	TOTAL SHEETS	SHEET NO.
1321	32VB	DU PAGE	388	151
CONTRACT NO. 60W01				
ILLINOIS FED. AID PROJECT				