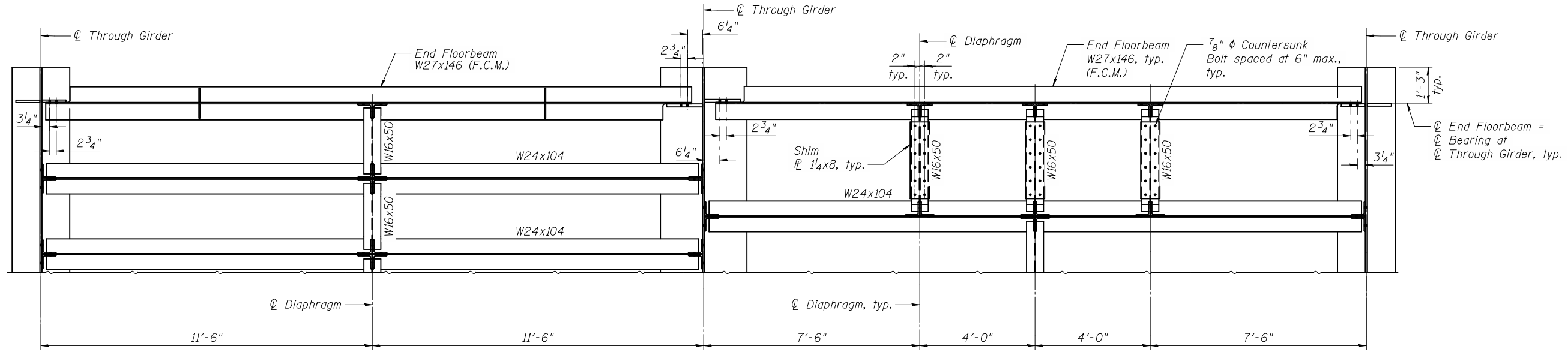


END FLOORBEAM ELEVATION AT ABUTMENT

SECTION A-A



PARTIAL PLAN AT ABUTMENT

Note:
Lateral bracing and top flanges of Through Girders and Floorbeams not shown for clarity.

MOMENT TABLE								
Discription	I _G (in ⁴)	Span 1		Span 2		Floorbeam W24x104	*Floorbeam W24x104	End Floorbeam W27x146
		Center Thru Girder	Exterior Thru Girder	Center Thru Girder	Exterior Thru Girder			
Moment of Inertia, Gross	I _G (in ⁴)	568,724	326,910	897,708	461,233	3,100	3,100	5,660
Moment of Inertia, Net	I _N (in ⁴)	507,422	283,745	811,733	407,994	2,885	2,885	5,303
Section Modulus, Gross	S _G (in ³)	8,426	4,879	13,153	6,846	258	258	414
Section Modulus, Net	S _N (in ³)	7,517	4,235	11,894	6,056	228	228	370
Dead Load	D _L (lb/ft)	5,771	3,177	6,053	3,294	543	543	930
Dead Load Moment	M _{DL} (k-ft)	3,882	2,321	6,352	3,694	42	42	65
Live Load Moment	M _{LL} (k-ft)	8,515	4,583	12,673	6,723	273	273	458
Impact Moment	M _I (k-ft)	2,617	1,373	3,421	1,786	121	121	275
Moment at kneebrace	(k-ft)	-	-	-	-	-	45	-
Jacking Load	(kip)	-	-	-	-	-	-	164
Jacking Load Moment	(k-ft)	-	-	-	-	-	-	84.3
Total Moment	MTOTAL (k-ft)	15,010	8,277	22,445	12,203	436	481	798
Flexural Stress	f _S TOTAL (ksi)	23.96	23.45	22.65	24.18	22.95	25.32	25.88

REACTION TABLE								Jacking Load Governs
Discription	Span 1		Span 2		Floorbeam W24x104	*Floorbeam W24x104	End Floorbeam W27x146	
	Center Thru Girder	Exterior Thru Girder	Center Thru Girder	Exterior Thru Girder				
Dead Load (kip)	219	125	285	160	6	6	-	
Live Load (kip)	530	275	640	329	32	32	-	
Impact (kip)	163	82	173	88	14	14	-	
Kneebrace (kip)	-	-	-	-	-	-	-	
Jacking Load (kip)	-	-	-	-	-	-	164	
Total (kip)	912	482	1098	577	52	56	164	

* At knee brace location.

cc:\pwworking\oma\0463409\0220226-60842-013-FRD.DGN
jmgus

11/2/2012 11:23:11 AM



USER NAME = jmgus	DESIGNED - AMM	REVISED -
FILE NAME = 0220226-60842-013-FRD.DGN	CHECKED - LAG	REVISED -
PLOT SCALE = NONE	DRAWN - RMA	REVISED -
PLOT DATE = 11/2/2012	CHECKED - AMM	REVISED -

**STATE OF ILLINOIS
DEPARTMENT OF TRANSPORTATION**

**END FLOORBEAM DETAILS AT ABUTMENTS
STRUCTURE NO. 022-0226**

SHEET NO. 13 OF 43 SHEETS

F.A.U. RTE. 1321	SECTION 32VB	COUNTY DU PAGE	TOTAL SHEETS 388	SHEET NO. 154
CONTRACT NO. 60W01				
ILLINOIS FED. AID PROJECT				