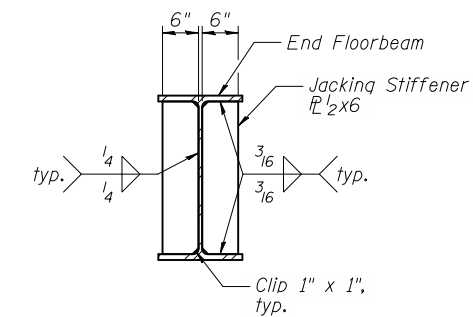
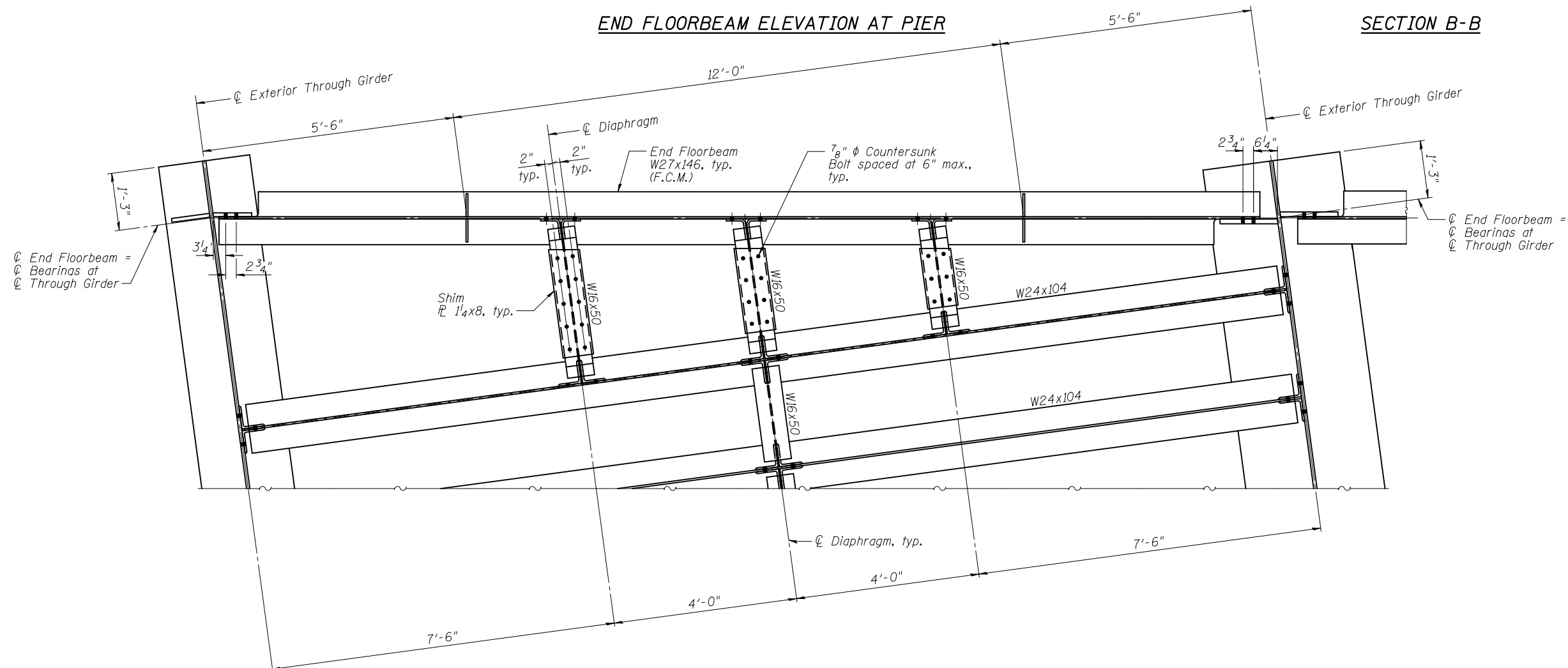


END FLOORBEAM ELEVATION AT PIER



SECTION B-B



PARTIAL PLAN AT PIER

Note:
Lateral bracing and top flanges of Through Girders and Floorbeams not shown for clarity.

11/2/2012 11:23:48 AM c:\pwworking\oma\0463409\0220226-60842-014-FRD.DGN jmlgus



USER NAME = jmlgus	DESIGNED - AMM	REVISED -
FILE NAME = 0220226-60842-014-FRD.DGN	CHECKED - LAG	REVISED -
PLOT SCALE = NONE	DRAWN - RMA	REVISED -
PLOT DATE = 11/2/2012	CHECKED - AMM	REVISED -

**STATE OF ILLINOIS
DEPARTMENT OF TRANSPORTATION**

**END FLOORBEAM DETAILS AT PIER
STRUCTURE NO. 022-0226**

SHEET NO. 14 OF 43 SHEETS

F.A.U. RTE.	SECTION	COUNTY	TOTAL SHEETS	SHEET NO.
1321	32VB	DU PAGE	388	155
CONTRACT NO. 60W01				
ILLINOIS FED. AID PROJECT				