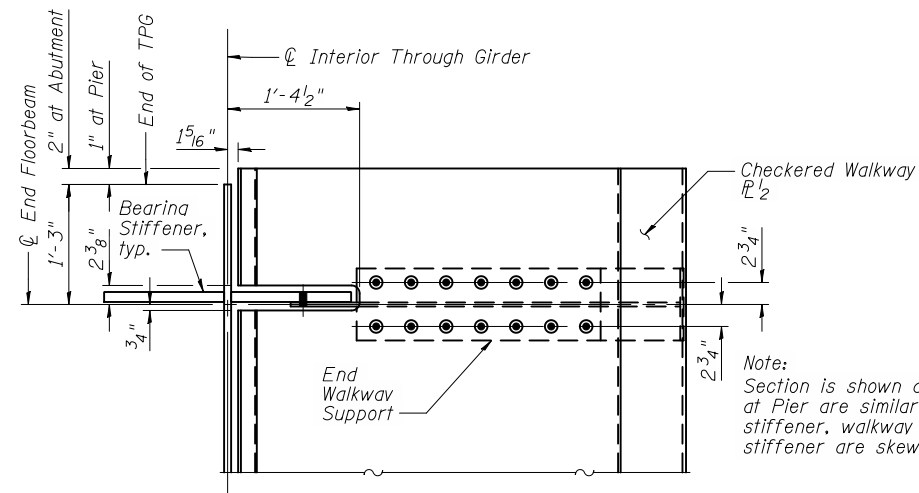
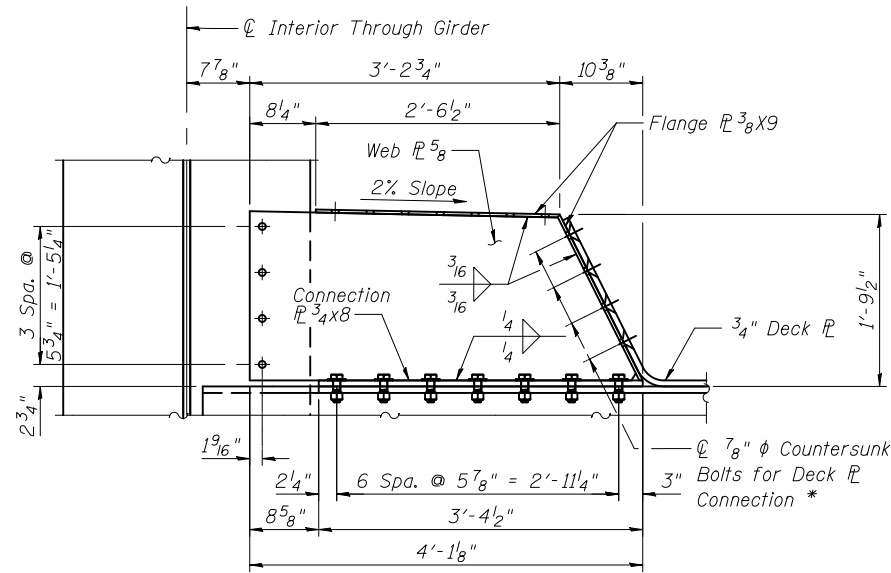


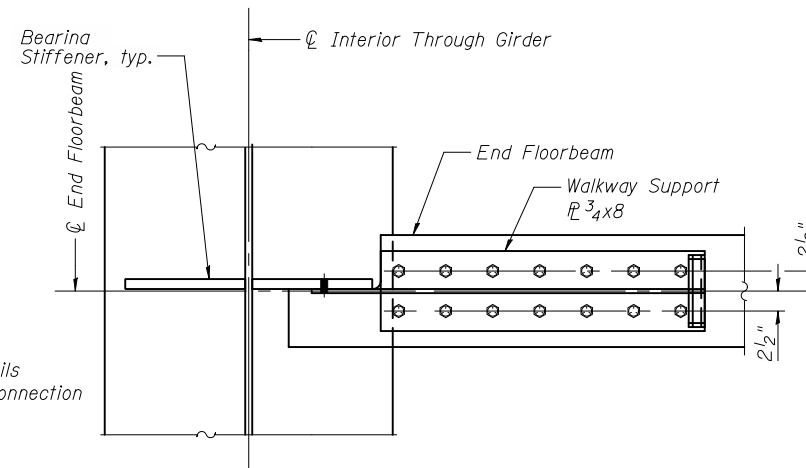
WALKWAY PLATE AT END SUPPORT - INTERIOR GIRDER



SECTION N-N



END WALKWAY SUPPORT - INTERIOR GIRDER



SECTION P-P

* See Deck Plate Details Sheet for Deck L Connection Dimensions.

cc:\pwworking\oma\0463409\0220226-60842-019-TYP.DGN
jmgus

11/2/2012
11:24:04 AM



USER NAME = jmgus
FILE NAME = 0220226-60842-019-TYP.DGN
PLOT SCALE = NONE
PLOT DATE = 11/2/2012

DESIGNED - AMM
CHECKED - LAG
DRAWN - RMA
CHECKED - AMM

REVISED -
REVISED -
REVISED -
REVISED -

**STATE OF ILLINOIS
DEPARTMENT OF TRANSPORTATION**

**CHECKERED WALKWAY AND WALKWAY SUPPORT DETAILS 2
STRUCTURE NO. 022-0226**

SHEET NO. 19 OF 43 SHEETS

F.A.U. RTE.	SECTION	COUNTY	TOTAL SHEETS	SHEET NO.
1321	32VB	DU PAGE	388	160
CONTRACT NO. 60W01				
ILLINOIS FED. AID PROJECT				